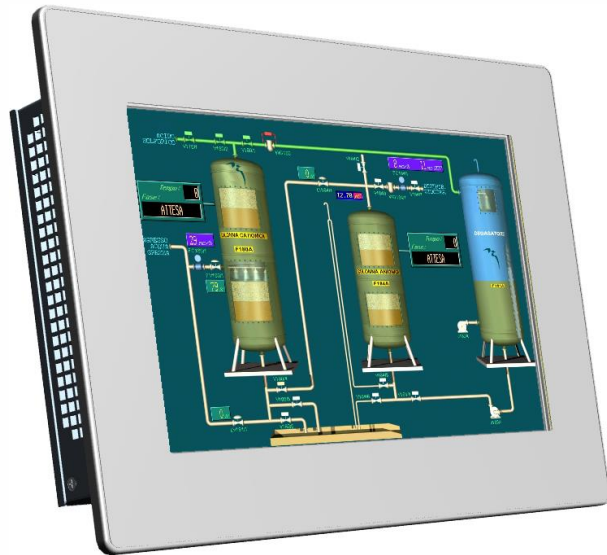
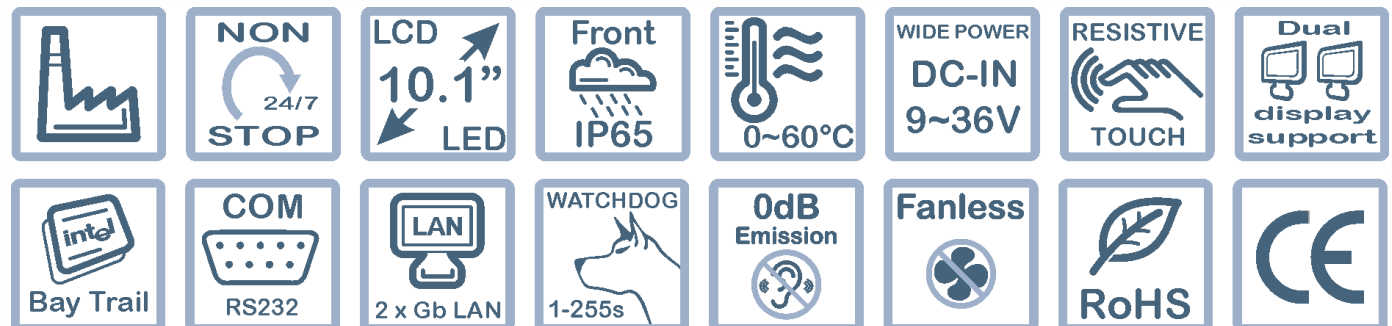


iCOMAC5110

Panel PC for industrial environment



- ✓ Chassis designed for industrial environments
- ✓ Front panel with IP65 protection rating
- ✓ Fanless cooling system
- ✓ No acoustic impact, 0dBA emissions
- ✓ Solid state storage
- ✓ High availability of I/O ports: RS232, Gb LAN, USB 2.0/3.0...
- ✓ Combined performance computing and low power requirement thanks to Intel® Bay Trail processors
- ✓ Wide range input voltage





Computing unit features

System	Processor	Intel® Celeron® Processor J1900 4 Core, 4 Thread, 2M Cache, up to 2.42 GHz
	Internal expansion slots	1 x Mini PCIe (half/full size, signals: PCIe, mSATA*) 1 x mSATA (half size, signals: mSATA*) *shared
Memory	Max expansion	8GB
	Type	DDR3L 1333MHz DRAM device technologies: 1Gb, 2Gb and 4Gb DDR3L DRAM technologies are supported for x8 and x16 devices, unbuffered, non-ECC
	Slot	1
Back I/O interfaces	Serial	1 x RS232
	USB	2 x USB 3.0/2.0/1.1 2 x USB 2.0/1.1
	LAN	2 x RJ45
	Video	1 x HDMI 1 x VGA
	Audio	1 x Jack 3.5mm (Line-Out)
	Power	1 x DC-IN (Phoenix 2P 5.08)
	Button	1 x Power switch with power led 1 x Remote power switch connector
	Ground	1 x M4 Ground connector
	Storage bay SSD	1 x mSATA SSD half/full size
	Controller	SATA 2 3.0Gb/s
Graphics subsystem	Integrated graphics adapter	Intel® HD Graphics
	Supported features	DirectX 11, OpenGL 3.2
	Resolution	HDMI 1.4a : up to 1920x1200 VGA 1.4a : up to 1920x1200
	Multi Display	Up to 2 (internal + external)
Management	Watchdog timer	Software programmable from 1 to 255s
	Wake On Events	WOL (Wake On Lan) Wake by RTC (Wake by date/time)
Network subsystem	Integrated LAN adapter	2 x RTL8111G-CG Gigabit Ethernet controller
Power supply	Input voltage	Wide range : From 9V DC to 36V DC (Optional external AC power adapter)
	Power consumption	Average 19W @ 75% stress (only processing unit)
Software	Supported operating system	Windows 7 / 7 Emb. 32bit & 64bit Windows 8.1 / 8.1 Emb. Pro 64bit Windows 10 / 10 IoT Ent. 64bit

Display and touchscreen features

10.1"	Panel type	a-Si TFT active matrix LCD
	Size	10.1"
	Aspect Ratio	16:10
	Pixel HxV	1280 x 800
	Pixel Pitch	0.1695x0.1695mm
	Color	16.2M
	Contrast ratio	800:1
	Brightness	500 cd/m ²
	Response time	11ms
	Viewing angle	Horizontal 170° - Vertical 170°
Touchscreen	Power consumption	6W (only display & touch unit)
	Type	Resistive 5 wires
	Interface	USB



www.intercomp.it

Intercomp S.p.A.
Via della Scienza 27
37139, Verona, Italia
Tel +39 045-8378411
Fax +39 045-8510539



intercomp@intercomp.it

The product may differ from the images shown. All registered names and trademarks are legitimate owners. All features and specifications can be changed without prior notice.
Updated 24/05/2017



Ordering code

Ordering code	Standard Display size	Standard Front panel type	Standard Computing unit	Standard Power Supply	Standard Gb LAN	Standard COM	Standard USB
CNICOMAC610015ARJ-00	10.1"	Anodised aluminum	Intel® Celeron® J1900	9-36V DC	2	1	4

Common features

Mechanical	Fixing method	Panel mount
	Dimensions	See next pages
Environment	Operating temp.	0°C ~ +60°C
	Non operating temp.	-10°C ~ +60°C
	Relative humidity	20% ~ 90% Not condensed
	IP Grade	Front IP65
Certifications	Reference marks	CE, RoHS
	Directive	Built according to European Directive 2014/30/EU (EMCD), 2014/35/EU (LVD) and 2011/65/EU (RoHS)
Company	Reference standard	UNI EN ISO 9001
Datasheet	Doc. ref.	ZST-4292-00000010-00



www.intercomp.it

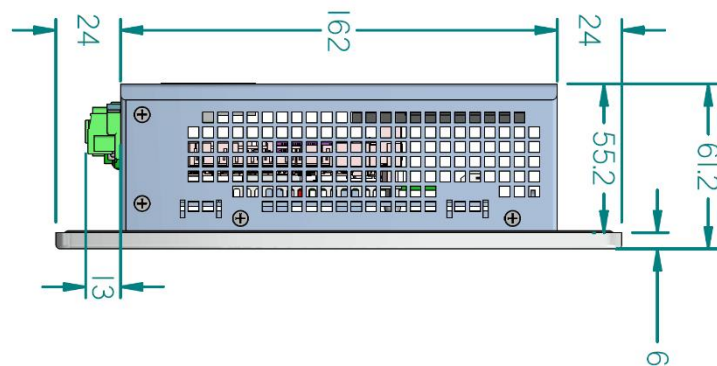
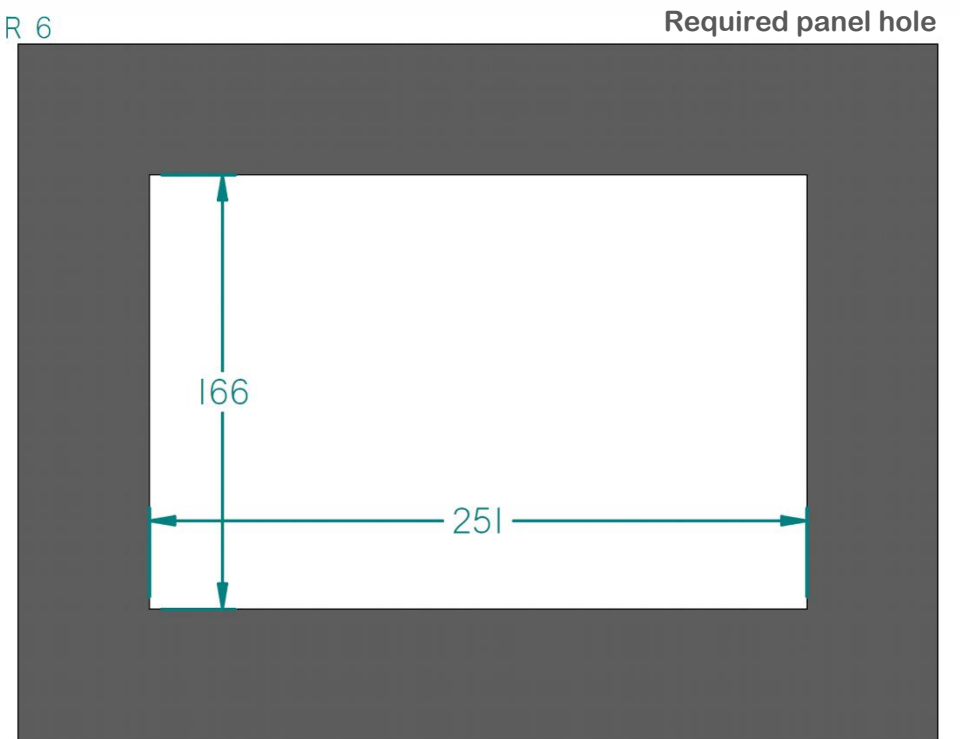
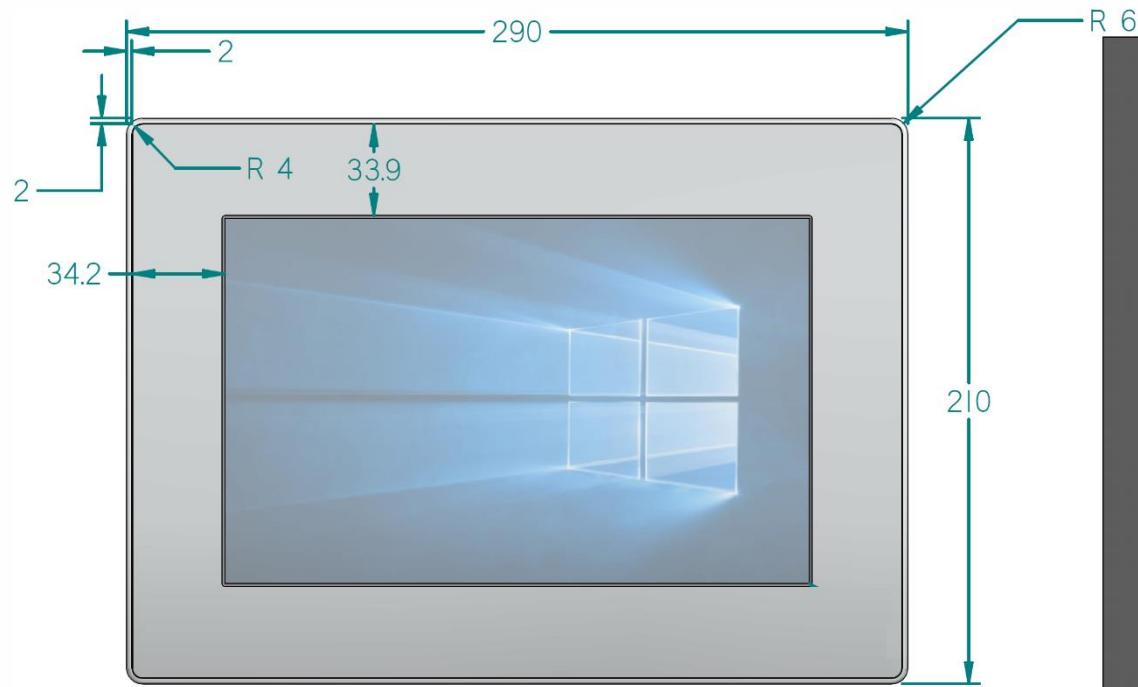
Intercomp S.p.A.
Via della Scienza 27
37139, Verona, Italia
Tel +39 045-8378411
Fax +39 045-8510539



azienda con sistema di gestione per la qualità certificato
ISO 9001:2008

intercomp@intercomp.it

The product may differ from the images shown. All registered names and trademarks are legitimate owners. All features and specifications can be changed without prior notice.
Updated 24/05/2017



All dimensions are expressed in millimeters (mm)