

Brianza190

Totem for Industrial Use



- ✓ Designed for hard industrial environments
- ✓ Enclosure with IP54 degree of protection
- ✓ Fanless cooling system
- ✓ 19" LCD with LED backlight
- ✓ Vandal-proof stainless steel keyboard
- ✓ Central unit easily replaceable
- ✓ High capacity with sixth generation Intel® Core™ processors





System	Installed Processor	Intel® Core™ i3-6100T Processor 3M Cache, 3.20 GHz	
	Supported Processors	6 th Generation Intel® Core™ TDP MAX 35W	
	Chipset	Intel® H110 Chipset (Intel® GL82H110 PCH)	
	Internal expansion slots	1 x Full-size mSATA (USB/SATA) 1 x Half-size Mini PCIe (USB/PCIe) used fo WiFi/BT module	
	Memory		
	Installed memory	1 x 4GB	
	Max expansion	32GB	
	Type	SO-DIMM DDR4 1866/2133/2400MHz	
	Total slots	2 (Dual Channel)	
Front I/O interfaces	USB	1 x USB 3.0 IP68	
Rear I/O interfaces*	USB	1 x USB 3.0 IP68	
	Ethernet	1 x 2.5mt RJ45 LAN cable	
	Power	1 x 2.5mt ITA power cable	
Internal I/O interfaces*	USB	2 x USB 3.0	
Storage	Bay	1 x SSD Full-size mSATA 1 x SSD/HDD 2.5" SATA	
	Installed storage Controller	1 x SSD 120GB, SATA3 6.0Gb/s, 2.5"	
	Monitoring	Watchdog	Programmable watchdog timer from 1 to 255 seconds (system reset)
	Graphics subsystem	Integrated graphics adapter*	Integrated graphics for i3-6100T : – Intel® HD Graphics 530 – Graphics Base Frequency 350 MHz – Graphics Max Dynamic Frequency 950 MHz – DirectX Support 12 – OpenGL Support 4.4 <small>*Features depends on installed processor</small>
Touchscreen		Touchscreen 4 contemporary touches Technology: IR (InfraRed) Panel type : a-Si TFT-LCD (LED Backlight) Diagonal / aspect ratio : 19" / 5:4 Pixel OxV : 1280 x 1024 Pixel Pitch : 294(O) x 294(V) um Contrast : 1000:1 Brightness : 250 cd/m ² Response time : 5ms Viewing angle : 170°(H)/160°(V)	
Display			

Network subsystem	Integrated LAN adapter	1 x Intel® 10/100/1000Mbps
	Keyboard	IP65 vandal proof stainless steel industrial keyboard 69 keys, IT Layoyt 400 DPI trackball 3 mouse buttons
Power	Nominal input	230V AC
	Software	Supported operating system
Mechanical characteristics	L x A x P	see next pages
	Weight	Kg (estimate)
	Fastening	Floor fixing
	Colour	Standard : RAL9005 fine wrinkled Optional : Different colors on request, subject to availability and minimum purchase quantity is required.
Environment	Other features	1 x Support for barcode reader. (Barcode reader not included – optional)
	Operating temp.	From +0°C to +45°C
	Non operating temp.	From -10°C to +70°C
Certifications	IP Grade	IP54 IP68 on the external USB connector
	Markings	CE, RoHS
Company	Directives	Built according to European Directive 2014/53/EU (RED) and 2011/65 / EU (RoHS)
	Reference marks	UNI EN ISO 9001
Product code	CNTOTEM19P-S-17-01A	Totem "Brianza190", T/S IR, H110, i3-6100T, Ram 4GB, SSD, W10, Black
	CNTOTEM19P-S-17-02B	Totem "Brianza190", T/S IR, H110, i3-6100T, Ram 4GB, SSD, W10, Black, Keyboard
Datasheet code	ZST-4292-00000036-00	Totem "Brianza190" datasheet



www.intercomp.it

Intercomp S.p.A.
Via della Scienza 27
37139, Verona, Italia
Tel +39 045-8378411
Fax +39 045-8510539



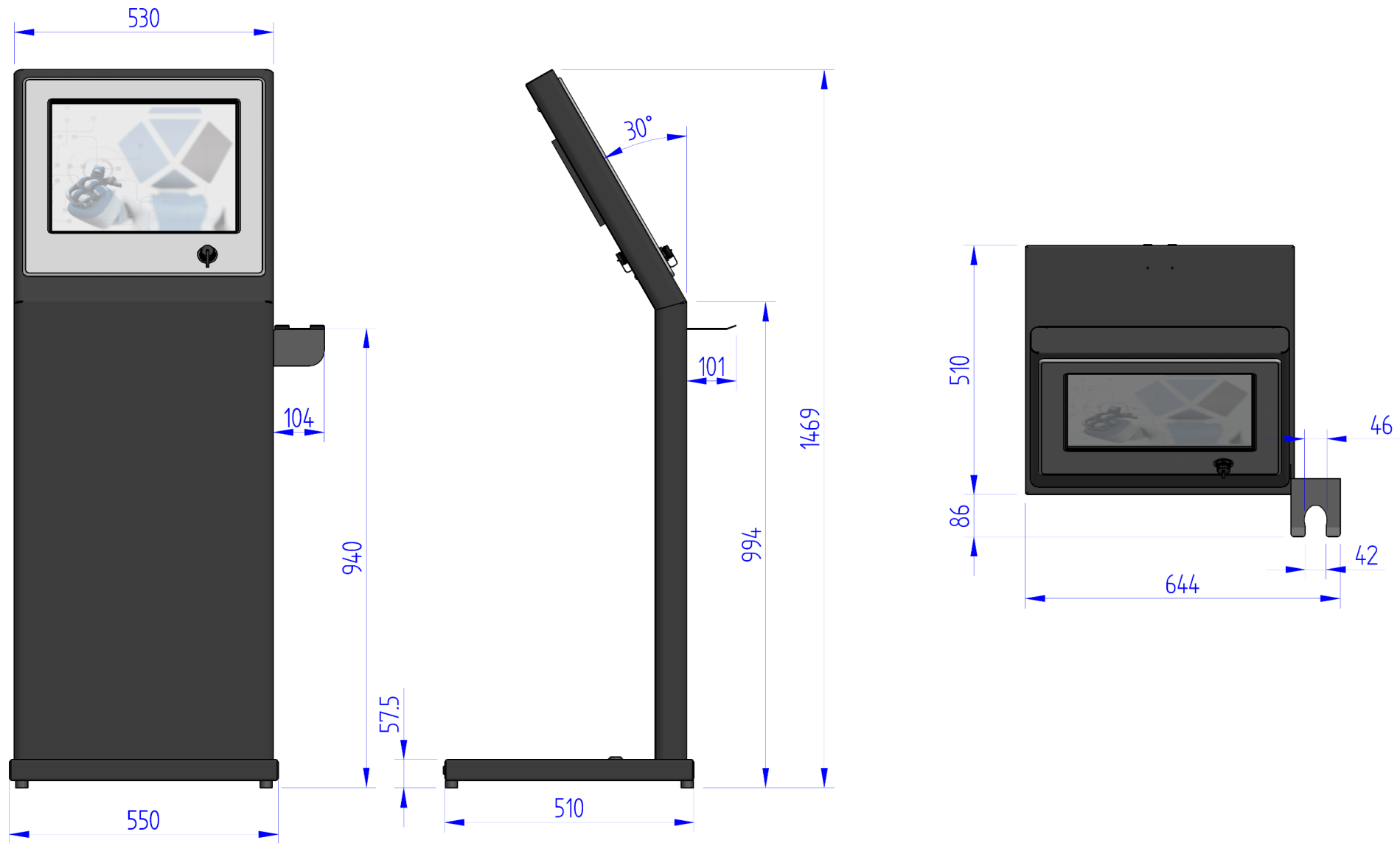
azienda con sistema di gestione per la qualità certificato
ISO 9001:2008

intercomp@intercomp.it

The product may differ from the images shown. All names and registered trademarks are legitimate owners. All features and specifications may be changed without prior notice.
Last update 31/01/2018



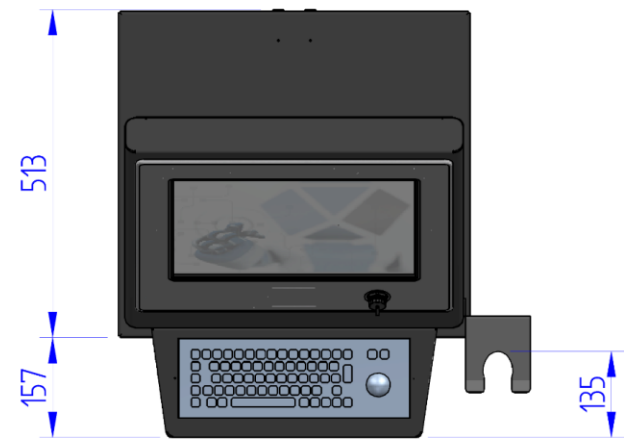
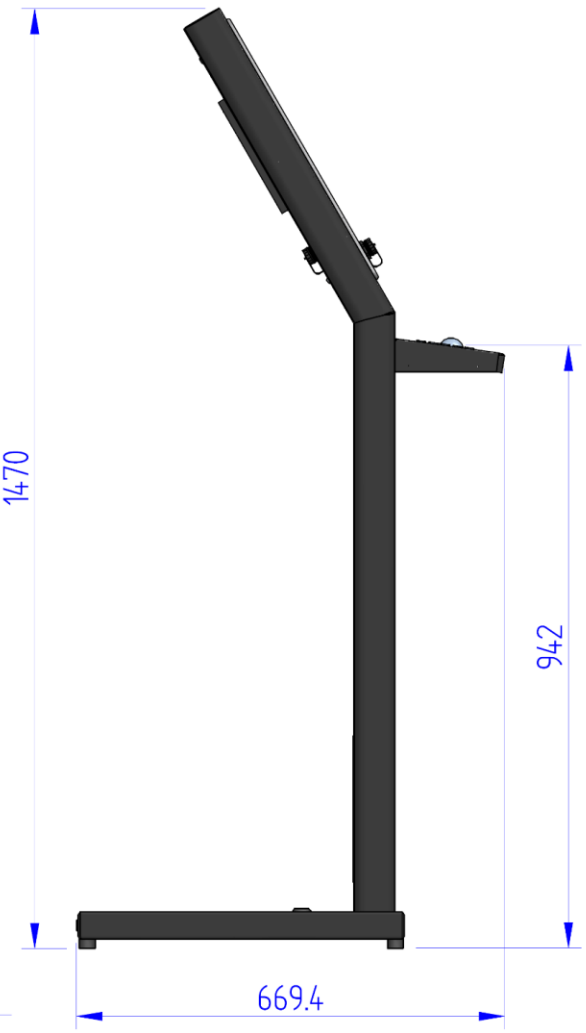
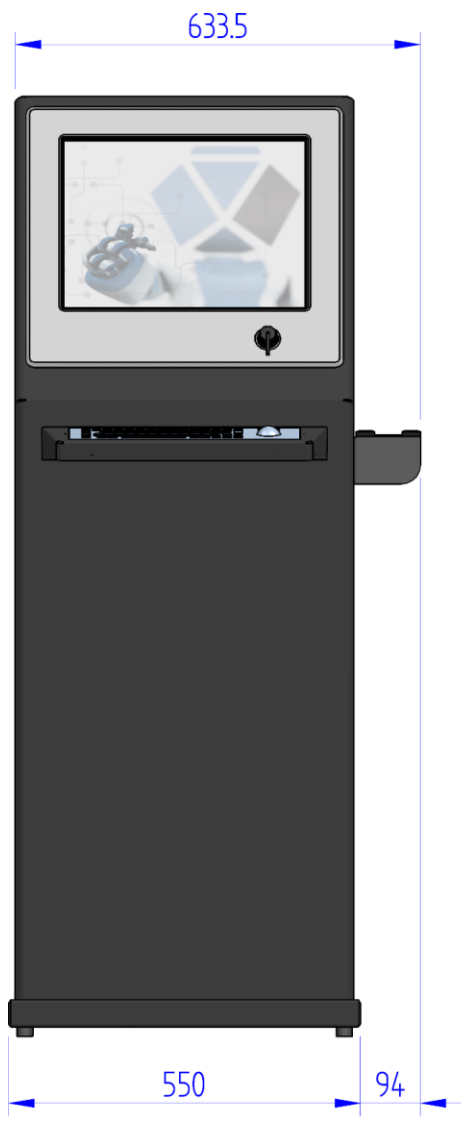
Totem Brianza190 without keyboard.



All dimensions are expressed in millimeters (mm)



Totem Brianza190 with keyboard.



All dimensions are expressed in millimeters (mm)