

## Siena220T

Digital Signage indoor kiosk



- ✓ **Elegant and not bulky thanks to a very thin design**
- ✓ **Plexiglass support for billboards**
- ✓ **Large 22" LCD display with LED backlight**
- ✓ **Glove capable touchscreen, up to 10 touch point**
- ✓ **Solid painted steel structure**
- ✓ **Integrated speakers, webcam & microphone**
- ✓ **WiFi 802.11ac, Bluetooth 4.x & Gigabit LAN**
- ✓ **High processing capacity thanks to Intel® Core™ processors**





<b>System</b>	<b>Processor</b>	Socket LGA 1151 Intel® Core™ 9 <sup>th</sup> /8 <sup>th</sup> gen. Intel® Core™ i7 / i5 / i3 / Pentium, TDP up to 65W
	<b>Chipset</b>	Intel® H310 Express Chipset
	<b>BIOS</b>	128 Mb Flash ROM, UEFI AMI BIOS, PnP, DMI 3.0, WfM 2.0, SM BIOS 3.1, ACPI 6.1
	<b>Expansion slot</b>	1 x M.2 M key, 2280/2260 storage (SATA & PCIe x2 mode) 1 x M.2 E key, 2230 Wi-Fi/BT (PCIe, CNVi/USB mode)
<b>Memory</b>	<b>Max exp.</b>	32GB
	<b>Type</b>	DDR4 2666/2400/2133 SO-DIMM 4GB, 8GB, 16GB
	<b>Slot</b>	2
<b>Display lateral I/O interface</b>	<b>Audio</b>	1 x Jack 3.5mm headphone 1 x Jack 3.5mm microphone
	<b>USB</b>	2 x USB 2.0
	<b>Display lower I/O interface</b>	<b>USB</b> 2 x USB 3.1 Gen1 2 x USB 2.0
<b>Display lower I/O interface</b>	<b>Audio</b>	2 x Jack 3.5mm
	<b>Video</b>	1 x DP (Display Port) 1 x HDMI
	<b>Lower base I/O interface</b>	<b>LAN</b> 1 x RJ45
<b>Storage</b>	<b>Integrated SATA controller</b>	1 x M.2 (Socket 3, M key, 2280/2260 SATA & PCIe x2 SSD) 2 x SATA3 6Gb/s
	<b>Card Reader</b>	6 in 1 Card Reader SD/XD/MMC
	<b>HDD/SSD bay</b>	1 x HDD/SSD SATA 2.5"
	<b>ODD bay</b>	1 x Slim DVD +R+RW-R-RW
<b>Video subsystem</b>	<b>Integrated graphic adapter</b>	Intel® HD Graphics (depends on installed CPU) Max shared memory : 1024MB
	<b>Integrated LCD display</b>	21.5" TFT LCD – Led Backlight Full HD 16:9 1920x1080
	<b>Max resolution (external ports)</b>	HDMI : 4096 x 2160 @ 24 Hz DP : 4096 x 2304 @ 60 Hz
	<b>Contemporary active display</b>	Max 2 (1 internal, 1 external)
	<b>Touchscreen</b>	Touchscreen with projected capacitive technology, up to 10 touch points, USB interface
<b>Multimedia</b>	<b>Webcam</b>	Integrated in the front frame, 1.3Mpx
	<b>Microphone</b>	Integrated in the front frame

<b>Audio subsystem</b>	<b>Integrated audio adapter</b>	Realtek® ALC887 7.1-Channel High Definition Audio
	<b>Speaker</b>	2 x 5W (integrated on the back)
<b>Network subsystem</b>	<b>Integrated network adapter</b>	1 x 10/100/1000 Realtek® RTL8111H GbE LAN
	<b>WiFi &amp; BT</b>	Dual Band Wireless 802.11ac, Bluetooth 4.x
<b>Power</b>	<b>Integrated power supply</b>	Input : 100-240V Output : 19V, max 150W
<b>Mechanical features</b>	<b>L x H x D</b>	542x1047x313mm
	<b>Weight for medium configuration</b>	26Kg (entire product) 20Kg (only support stand)
	<b>Internal bay</b>	1 x 2" ½
	<b>External bay</b>	1 x slim 5" ¼
<b>Software</b>	<b>Colour</b>	Support stand : Gray wrinkled (RAL 9006) Display : Front glossy black, back glossy white
	<b>Fixing</b>	Mechanical predisposition for floor fixing
	<b>Supported operating system</b>	Microsoft Windows 10 64bit
<b>Environment</b>	<b>Operating temp.</b>	From + 5°C to + 35°C
	<b>Non op. temp.</b>	From -20°C to +70°C
	<b>RH</b>	95% @ 30°C non cond.
<b>Product certification</b>	<b>Reference marks</b>	CE, RoHS
	<b>Reference directive</b>	Built in compliance with European Directive 2014/30 / EU (EMCD), 2014/35 / EU (LVD) and 2011/65 / EU (RoHS)
<b>Company certification</b>	<b>Reference standards</b>	UNI EN ISO 9001
<b>Product code</b>	<b>CNTOTEMSIENA22-19-00</b>	Totem "Siena220T", LCD 21.5", TouchScreen, Intel H310, GRIGIO RAL 9006. rev.00
	<b>Doc. Ref.</b>	ZST-4292-00000049-00



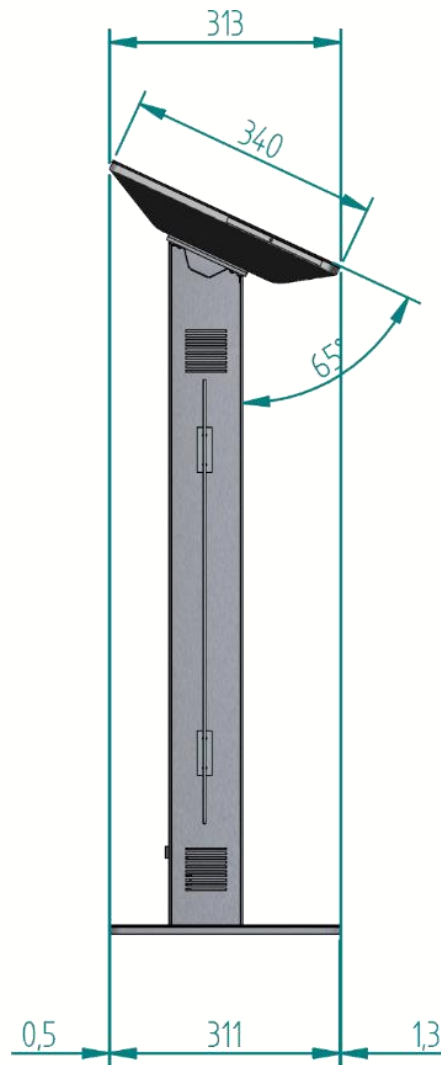
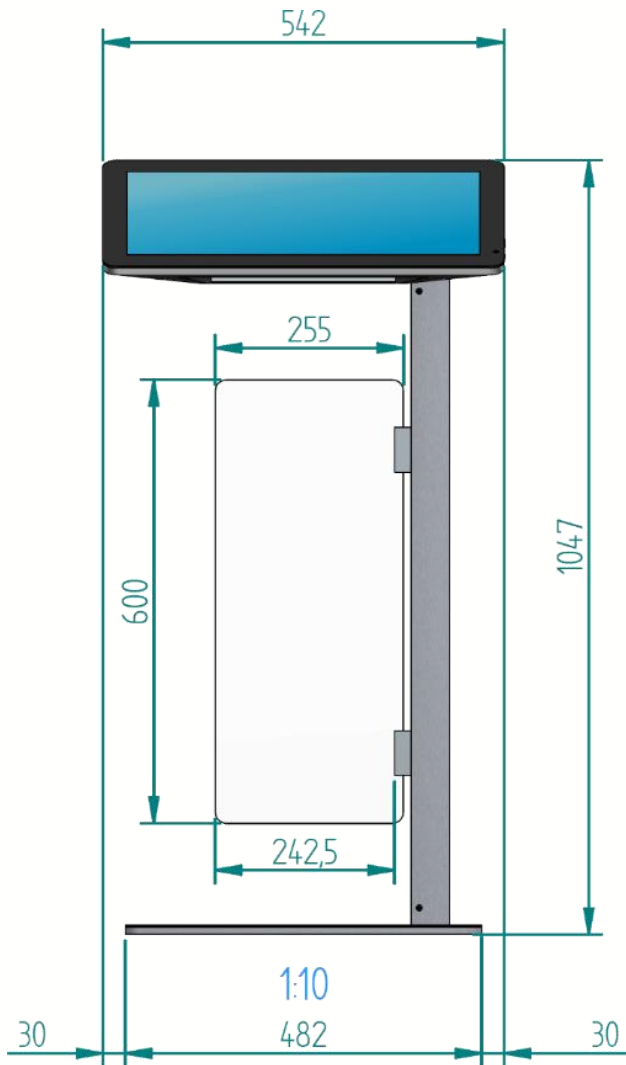
Scan me



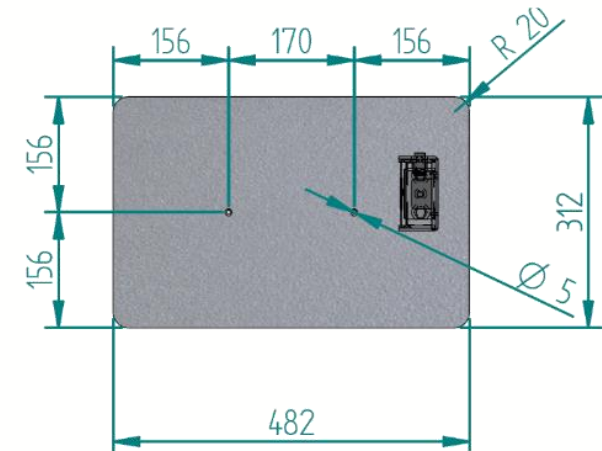


**Intercomp S.p.A.**  
Via della Scienza 27, 37139, Verona, Italia  
Tel +39 045-8378411 Fax +39 045-8510539  
[www.intercomp.it](http://www.intercomp.it) [intercomp@intercomp.it](mailto:intercomp@intercomp.it)

The product may differ from the images shown. All registered names and trademarks are legitimate owners. All features and specifications can be changed without prior notice.  
Last update 19/06/2019



Footprint dimension & fixing holes position  
(top section view)



Scan me

**Intercomp S.p.A.**  
Via della Scienza 27, 37139, Verona, Italia  
Tel +39 045-8378411 Fax +39 045-8510539  
[www.intercomp.it](http://www.intercomp.it) [intercomp@intercomp.it](mailto:intercomp@intercomp.it)

The product may differ from the images shown. All registered names and trademarks are legitimate owners. All features and specifications can be changed without prior notice.  
Last update 19/06/2019

All dimensions are expressed in millimeters (mm)