

Siena240T

Digital Signage indoor kiosk



- ✓ Elegant and not bulky thanks to a very thin design
- ✓ Plexiglass support for billboards
- ✓ Large 24" LCD display with LED backlight
- ✓ Glove capable touchscreen, up to 10 touch point
- ✓ Solid painted steel structure
- ✓ Integrated speakers, webcam & microphone
- ✓ WiFi 802.11ac, Bluetooth 4.x & Gigabit LAN
- ✓ High processing capacity thanks to Intel® Core™ processors





System	Processor	Socket LGA 1151 Intel® Core™ 9 th /8 th gen. Intel® Core™ i7 / i5 / i3 / Pentium, TDP up to 65W
	Chipset	Intel® H310 Express Chipset
	BIOS	128 Mb Flash ROM, UEFI AMI BIOS, PnP, DMI 3.0, WfM 2.0, SM BIOS 3.1, ACPI 6.1
	Expansion slot	1 x M.2 M key, 2280/2260 storage (SATA & PCIe x2 mode) 1 x M.2 E key, 2230 Wi-Fi/BT (PCIe, CNVi/USB mode)
Memory	Max exp.	32GB
	Type	DDR4 2666/2400/2133 SO-DIMM 4GB, 8GB, 16GB
	Slot	2
Display lateral I/O interface	USB	2 x USB 3.1 Gen1 4 x USB 2.0
	Audio	2 x Jack 3.5mm
	Video	1 x DP (Display Port) 1 x HDMI
	LAN	1 x RJ45
Storage	Integrated SATA controller	1 x M.2 (Socket 3, M key, 2280/2260 SATA & PCIe x2 SSD) 2 x SATA3 6Gb/s
	Card Reader	6 in 1 Card Reader SD/XD/MMC
	HDD/SSD bay	1 x HDD/SSD SATA 3.5/2.5"
	ODD bay	1 x Slim DVD +R+RW-R-RW
Video subsystem	Integrated graphic adapter	Intel® HD Graphics (depends on installed CPU) Max shared memory : 1024MB
	Integrated LCD display	23.6" TFT LCD – Led Backlight Full HD 16:9 1920x1080
	Max resolution (external ports)	HDMI : 4096 x 2160 @ 24 Hz DP : 4096 x 2304 @ 60 Hz
	Contemporary active display	Max 2 (1 internal, 1 external)
	Touchscreen	Touchscreen with projected capacitive technology, up to 10 touch points, USB interface
Multimedia	Webcam	Integrated in the front frame, 1.3Mpx
	Microphone	Integrated in the front frame

Audio subsystem	Integrated audio adapter	Realtek® ALC887 7.1-Channel High Definition Audio
	Speaker	2 x 5W (integrated on the back)
Network subsystem	Integrated network adapter	1 x 10/100/1000 Realtek® RTL8111H GbE LAN
	WiFi & BT	Dual Band Wireless 802.11ac, Bluetooth 4.x
Power	Integrated power supply	Input : 100-240V Output : 19V, max 135W
Mechanical features	L x H x D	586x1058x355mm
	Weight for medium configuration	28Kg (entire product) 20Kg (only support stand)
	Internal bay	1 x 2" ½
	External bay	1 x slim 5" ¼
	Colour	Support stand : Gray wrinkled (RAL 9006) Display : Front glossy black & Back glossy white
Software	Supported operating system	Microsoft Windows 10 64bit
Environment	Operating temp.	From + 5°C to + 35°C
	Non op. temp.	From -20°C to +70°C
	RH	95% @ 30°C non cond.
Product certification	Reference marks	CE, RoHS
	Reference directive	Built in compliance with European Directive 2014/30 / EU (EMCD), 2014/35 / EU (LVD) and 2011/65 / EU (RoHS)
Company certification	Reference standards	UNI EN ISO 9001
Product code		Totem "Siena240T", LCD 23.6", TouchScreen, Intel H310, GRIGIO RAL 9006. rev.00
	Doc. Ref.	ZST-4292-00000050-00



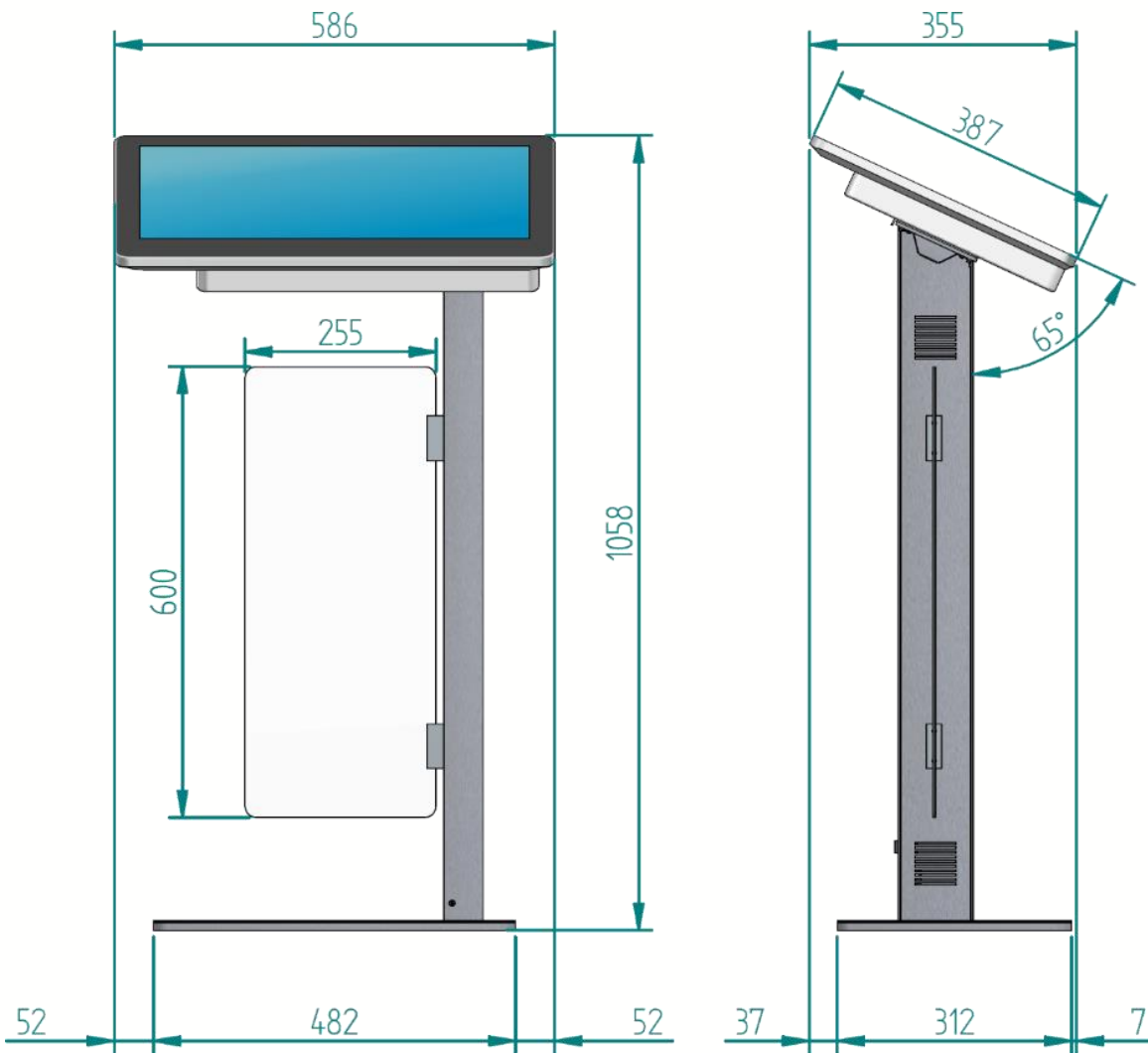
Scan me



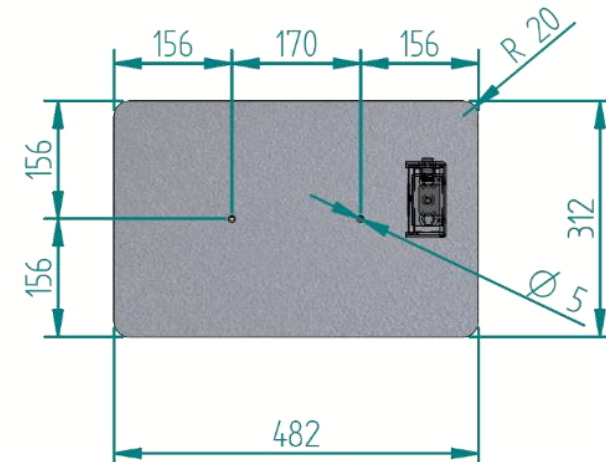


Intercomp S.p.A.
Via della Scienza 27, 37139, Verona, Italia
Tel +39 045-8378411 Fax +39 045-8510539
www.intercomp.it intercomp@intercomp.it

The product may differ from the images shown. All registered names and trademarks are legitimate owners. All features and specifications can be changed without prior notice.
Last update 19/06/2019



Footprint dimension & fixing holes position
(top section view)





Scan me



Intercomp S.p.A.
Via della Scienza 27, 37139, Verona, Italia
Tel +39 045-8378411 Fax +39 045-8510539
www.intercomp.it intercomp@intercomp.it



The product may differ from the images shown. All registered names and trademarks are legitimate owners. All features and specifications can be changed without prior notice.
Last update: 19/06/2019

All dimensions are expressed in millimeters (mm)