

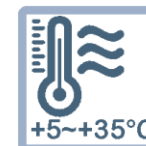
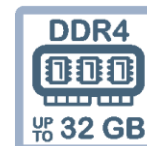


Torino194

Digital Signage indoor kiosk



- ✓ Large 19" LCD display with LED backlight
- ✓ Solid painted steel structure
- ✓ 80mm thermal printer
- ✓ Vandal proof keyboard
- ✓ Integrated speakers
- ✓ LAN & WiFi connectivity
- ✓ High processing capacity thanks to Intel® Core™ processors





Technical specifications

System	Processor	Socket LGA 1151 Intel® Core™ from 6 th to 9 th gen. Intel® Core™ i7 / Core™ i5 / Core™ i3 / Pentium	
	Chipset	Intel® H310 Express Chipset	
	BIOS	1 x 128 Mb AMI UEFI BIOS PnP 1.0a, DMI 2.7, WfM 2.0, SM BIOS 2.7, ACPI 5.0	
	Expansion slots	1 x PCI Express 3.0 x16 2 x PCI Express 2.0 x1	
Memoria	Max exp.	32GB	
	Type	DDR4- 2666/2400/2133 UDIMM 288pin 4GB, 8GB, 16GB	
	Slots	2	
Internal I/O interface*	Note	*Some I/O interfaces are used by the internal devices	
	Serial LPT	N/A	
	USB	4 x USB 2.0 2 x USB 3.1 gen.1 2 x USB 3.1 gen.1 optional	
	Mouse/keyboard	2 x PS/2	
	Audio	3 x Jack 3.5mm (Line In, Line Out, Mic In) 1 x VGA DB15	
	Video	1 x DVI-D 1 x HDMI	
	External I/O interface	LAN	1 x RJ45
	Storage	Integrated SATA ctrl	4 x SATA 3 6Gb/s 1 x M.2 (Socket 3, M key, 2242/2260/2280 SATA and PCIe x2 SSD)
		HDD/SSD bay	1 x 2.5"
	Video subsystem	Integrated video adapter	Intel® HD Graphics Features depend on installed CPU
LCD Display		19.0" TFT	
Color		16.2M (6 bit)	
Viewing angle		H: 170° V: 160°	
Response time		5ms	
Brightness		300 cd/m ²	
Contrast		1000:1	
Recommened res.		1280x1024	
Audio subsystem	Integrated audio adapter	7.1 High Definition Audio (Codec Realtek® ALC887)	
	Speaker	Mechanical predisposition for two integrated speakers	
Network interface	Integrated network adapter	1 x 10/100/1000 Realtek® GbE LAN	
	WiFi (optional)	1 x Wireless High Gain N 150Mbps USB IEEE 802.11n, IEEE 802.11g, IEEE 802.11b	
Power	Standard PSU	AC INPUT: 100-240V, 60-50Hz	
Software	Supported operating system	Microsoft Windows 10 64bit	

Printer Mechanical features	Thermal printer	Paper width 80mm, 203dpi, 90mm roll, with cutter
	Colour	Standard: Gray metallic wrinkled (66024 IN) Optional: Different colors on request, subject to availability and minimum purchase quantity is required.
Environment	L x H x D	510mm x 1434mm x 465mm (without keyboard) 510mm x 1434mm x 637mm (with keyboard)
	Weight	Estimated 55Kg for medium configuration
	Operating temp.	From + 5°C to + 35°C
Certifications	Non operating temp.	From -30°C to +70°C
	RH	95% @ 30°C non cond.
Company cert.	Reference Marks	CE, RoHS
	Directive	Built according to EU Directive 2014/30/EU(EMCD), 2014/35/EU(LVD) or 2014/53/UE (RED) for WiFi equipped product. & 2011/65/EU(RoHS)
	Reference std.	UNI EN ISO 9001
	Doc. code	ZST-4292-00000062-00



Scan me



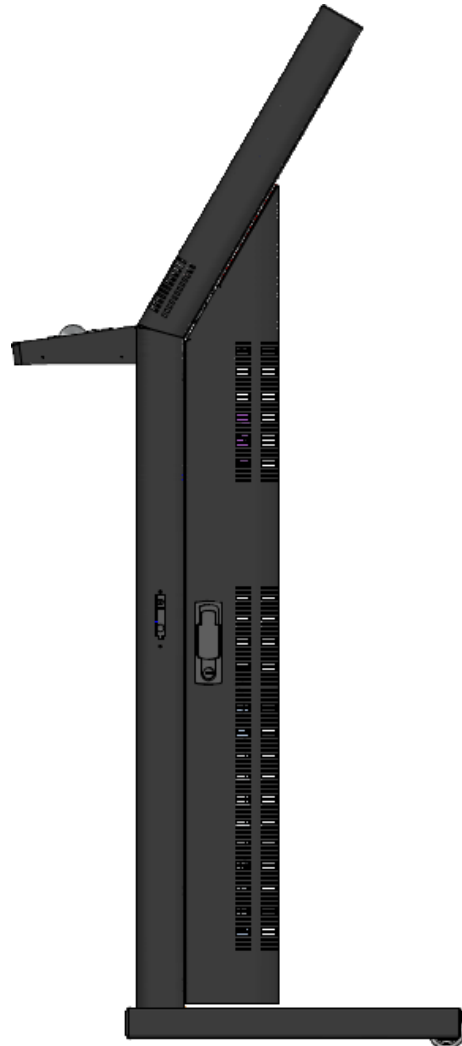
Intercomp S.p.A.

Via della Scienza 27, 37139, Verona, Italia
Tel +39 045-8378411 Fax +39 045-8510539
www.intercomp.it intercomp@intercomp.it

The product may differ from the images shown. All registered names and trademarks are legitimate owners. All features and specifications can be changed without prior notice.
Last update 19/09/2019



Ordering code



Ordering code	CNTOTEM19P-H-19-02	Totem "Torino194", LCD 19", H310, Modular, Gray 66024IN
Optional	EKIT-17-000010	2 x 10W internal speakers kit for Totem "Torino19X"
	EKIT-17-000005	LCD protection glass
	EKIT-IND-WIFI-005A	Kit WiFi SLTP01, 802.11 b/g/n, 150Mbps
	EKIT-TOTEM-ACC-0011	Kiosk keyboard kit : 66 keys, Trackball, IP65, vandal proof, IT layout, w/o ctrl-alt-del keys
	EKIT-TOTEM-ACC-0012	Kiosk keyboard kit : 66 keys, IP65, vandal proof, IT layout, with ctrl-alt-del keys
	EKIT-TOTEM-ACC-0014	Shelf (w/o keyboard) kit for Totem "Torino19X"
	EKIT-TOTEM-ACC-0017A	Shelf with 1D/2D barcode reader



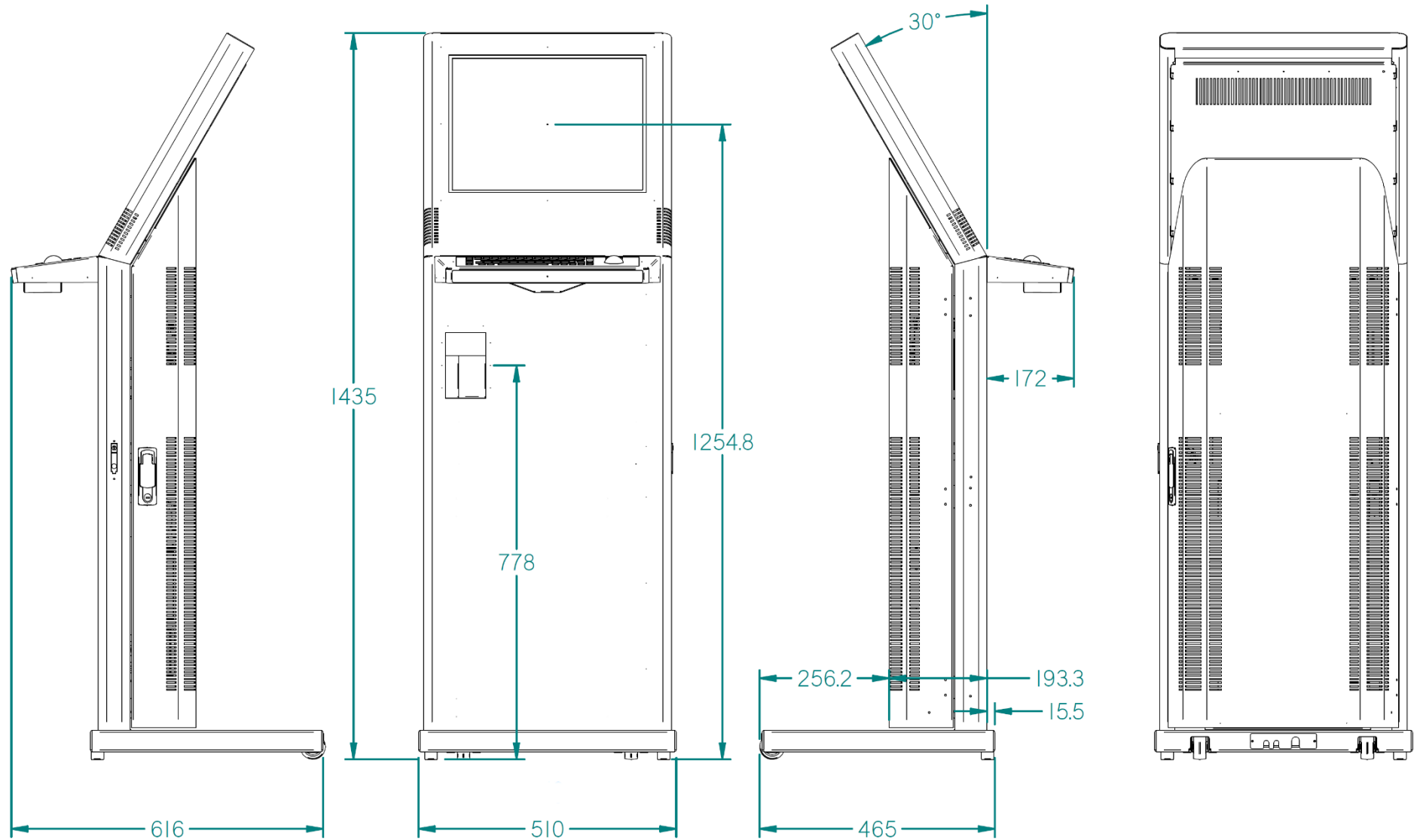
Intercomp S.p.A.
Via della Scienza 27, 37139, Verona, Italia
Tel +39 045-8378411 Fax +39 045-8510539
www.intercomp.it intercomp@intercomp.it

Scan me

The product may differ from the images shown. All registered names and trademarks are legitimate owners. All features and specifications can be changed without prior notice.
Last update 19/09/2019



Mechanical specifications



All dimensions are expressed in millimeters (mm)