

## Torino194

Digital Signage indoor kiosk



- ✓ Large 19" LCD display with LED backlight
- ✓ Touchscreen functionality
- ✓ Solid painted steel structure
- ✓ 80mm thermal printer
- ✓ Vandal proof keyboard
- ✓ Integrated speakers
- ✓ LAN & WiFi connectivity
- ✓ High processing capacity thanks to Intel® Core™ processors





## Technical specifications

<b>System</b>	<b>Processor</b>	Socket LGA 1151 Intel® Core™ from 6 <sup>th</sup> to 9 <sup>th</sup> gen. Intel® Core™ i7 / Core™ i5 / Core™ i3 / Pentium
	<b>Chipset</b>	Intel® H310 Express Chipset
	<b>BIOS</b>	1 x 128 Mb AMI UEFI BIOS PnP 1.0a, DMI 2.7, WfM 2.0, SM BIOS 2.7, ACPI 5.0
	<b>Expansion slots</b>	1 x PCI Express 3.0 x16 2 x PCI Express 2.0 x1
<b>Memoria</b>	<b>Max exp.</b>	32GB
	<b>Type</b>	DDR4- 2666/2400/2133 UDIMM 288pin 4GB, 8GB, 16GB
	<b>Slots</b>	2
<b>Internal I/O interface*</b>	<b>Note</b>	*Some I/O interfaces are used by the internal devices
	<b>Serial</b>	N/A
	<b>LPT</b>	N/A
	<b>USB</b>	4 x USB 2.0
		2 x USB 3.1 gen.1 2 x USB 3.1 gen.1 optional
	<b>Mouse/keyboard</b>	2 x PS/2
	<b>Audio</b>	3 x Jack 3.5mm (Line In, Line Out, Mic In)
		1 x VGA DB15
<b>Video</b>	1 x DVI-D 1 x HDMI	
<b>External I/O interface</b>	<b>LAN</b>	1 x RJ45
<b>Storage</b>	<b>Integrated SATA ctrl</b>	4 x SATA 3 6Gb/s 1 x M.2 (Socket 3, M key, 2242/2260/2280 SATA and PCIe x2 SSD)
	<b>HDD/SSD bay</b>	1 x 2.5"
<b>Video subsystem</b>	<b>Integrated video adapter</b>	Intel® HD Graphics Features depend on installed CPU
	<b>LCD Display</b>	19.0" TFT
	<b>Color</b>	16.2M (6 bit)
	<b>Viewing angle</b>	H: 170° V: 160°
	<b>Response time</b>	5ms
	<b>Brightness</b>	300 cd/m <sup>2</sup>
	<b>Contrast</b>	1000:1
	<b>Recommened res.</b>	1280x1024
<b>Audio subsystem</b>	<b>Integrated audio adapter</b>	7.1 High Definition Audio (Codec Realtek® ALC887)
	<b>Speaker</b>	Mechanical predisposition for two integrated speakers
<b>Network interface</b>	<b>Integrated network adapter</b>	1 x 10/100/1000 Realtek® GbE LAN
	<b>WiFi (optional)</b>	1 x Wireless High Gain N 150Mbps USB IEEE 802.11n, IEEE 802.11g, IEEE 802.11b
<b>Power</b>	<b>Standard PSU</b>	AC INPUT: 100-240V, 60-50Hz
<b>Software</b>	<b>Supported operating system</b>	Microsoft Windows 10 64bit

<b>Printer Mechanical features</b>	<b>Thermal printer</b>	Paper width 80mm, 203dpi, 90mm roll, with cutter
	<b>Colour</b>	Standard: Gray metallic wrinkled (66024 IN) Optional: Different colors on request, subject to availability and minimum purchase quantity is required.
		<b>L x H x D</b>
<b>Environment</b>	<b>Weight</b>	Estimated 55Kg for medium configuration
	<b>Operating temp.</b>	From + 5°C to + 35°C
	<b>Non operating temp.</b>	From -30°C to +70°C
<b>Certifications</b>	<b>RH</b>	95% @ 30°C non cond.
	<b>Reference Marks</b>	CE, RoHS
	<b>Directive</b>	Built according to EU Directive 2014/30/EU(EMCD), 2014/35/EU(LVD) or 2014/53/UE (RED) for WiFi equipped product. & 2011/65/EU(RoHS)
<b>Company cert.</b>	<b>Reference std.</b>	UNI EN ISO 9001
	<b>Doc. code</b>	ZST-4292-00000063-00



Scan me



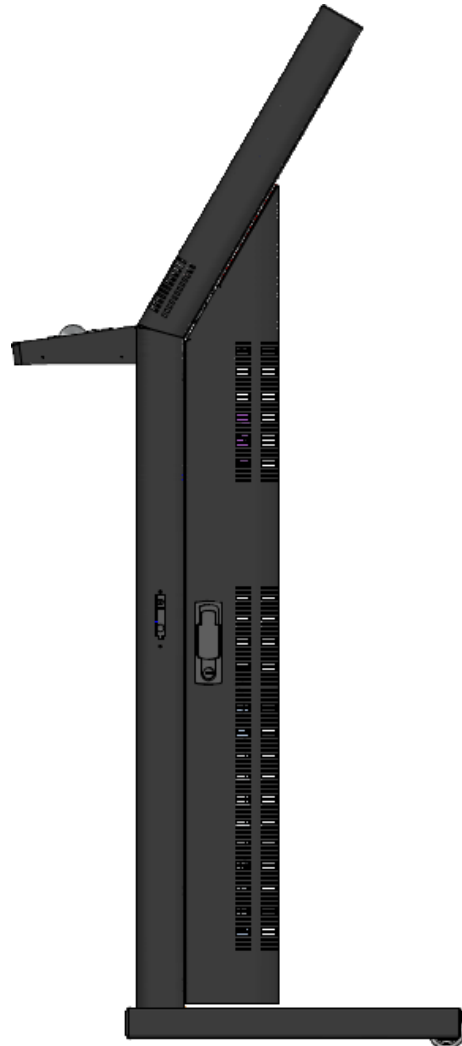
**Intercomp S.p.A.**

Via della Scienza 27, 37139, Verona, Italia  
Tel +39 045-8378411 Fax +39 045-8510539  
www.intercomp.it intercomp@intercomp.it

The product may differ from the images shown. All registered names and trademarks are legitimate owners. All features and specifications can be changed without prior notice.  
Last update 19/09/2019



## Ordering code



<b>Ordering code</b>	<b>CNTOTEM19P-H-19-02T</b>	Totem "Torino194", LCD 19", H310
	<b>Touchscreen</b>	Single touch based on SAW technologies
	<b>Colour</b>	Gray metallic wrinkled (66024 IN)
<b>Optional</b>	<b>EKIT-17-000007</b>	4 touch point touchscreen based on IR technologies
	<b>EKIT-17-000010</b>	2 x 10W internal speakers kit for Totem "Torino19X"
	<b>EKIT-17-000005</b>	LCD protection glass
	<b>EKIT-IND-WIFI-005A</b>	Kit WiFi SLTP01, 802.11 b/g/n, 150Mbps
	<b>EKIT-TOTEM-ACC-0011</b>	Kiosk keyboard kit : 66 keys, Trackball, IP65, vandal proof, IT layout, w/o ctrl-alt-del keys
	<b>EKIT-TOTEM-ACC-0012</b>	Kiosk keyboard kit : 66 keys, IP65, vandal proof, IT layout, with ctrl-alt-del keys
	<b>EKIT-TOTEM-ACC-0014</b>	Shelf (w/o keyboard) kit for Totem "Torino19X"
	<b>EKIT-TOTEM-ACC-0017A</b>	Shelf with 1D/2D barcode reader



Scan me



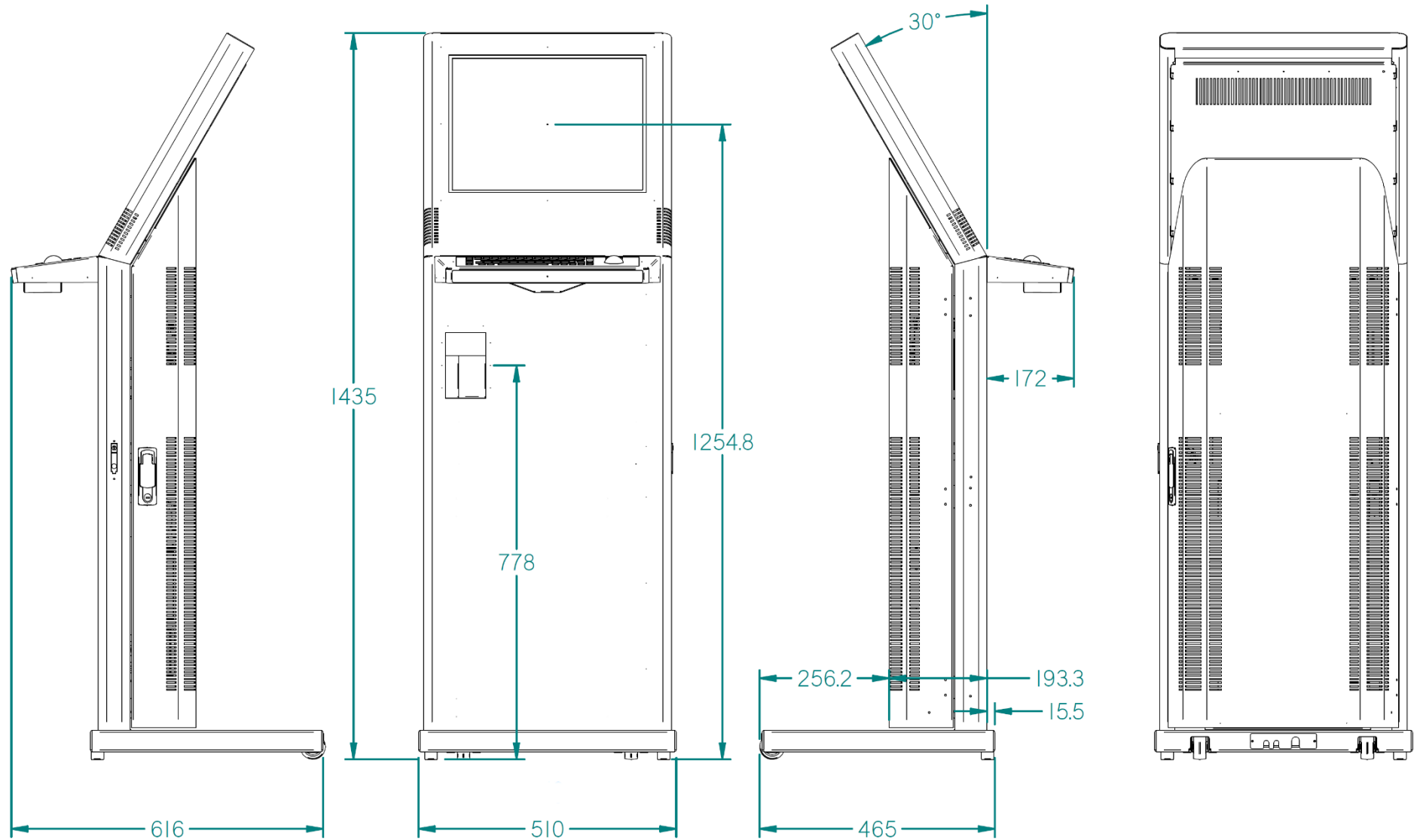
**Intercomp S.p.A.**  
Via della Scienza 27, 37139, Verona, Italia  
Tel +39 045-8378411 Fax +39 045-8510539  
[www.intercomp.it](http://www.intercomp.it) [intercomp@intercomp.it](mailto:intercomp@intercomp.it)



The product may differ from the images shown. All registered names and trademarks are legitimate owners. All features and specifications can be changed without prior notice.  
Last update 19/09/2019



## Mechanical specifications



All dimensions are expressed in millimeters (mm)