

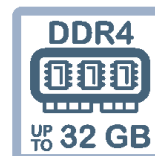
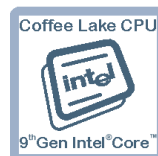
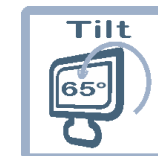
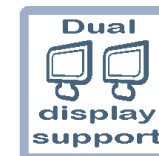
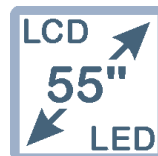
Skill550



Multimedia desk for digital signage



- ✓ Large format 55" touchscreen display
- ✓ Led backlight
- ✓ Multitouch touchscreen
- ✓ Shelf adjustable from 0 ° to 65 °
- ✓ Solid painted steel structure
- ✓ Integrated speaker
- ✓ NFC reader
- ✓ LAN and WiFi connectivity
- ✓ High local processing capacity thanks to 9th Intel® Core™ processors





Technical specifications

System	Processor	Socket LGA 1151 Intel® Core™ 9 th & 8 th gen. Intel® Core™ i7 / Core™ i5 / Core™ i3 / Pentium TDP max. 65W
	Chipset	Intel® H310 Express Chipset
	BIOS	1 x 128 Mbit AMI UEFI BIOS PnP 1.0a, DMI 2.7, WfM 2.0, SM BIOS 2.7, ACPI 5.0
	Expansion slots	1 x PCI Express 3.0 x16
	Max exp.	32GB
Memory	Type	DDR4- 2666/2400/2133 UDIMM 288pin 4GB, 8GB, 16GB
	Slots	2
	Note	*Alcune interfacce I/O sono utilizzate dalle periferiche interne del tavolo
Internal* I/O Interfaces	Serial	1 x RS232 optional
	USB	2 x USB 2.0 2 x USB 3.1 gen.1
	Keyboard/Mouse	2 x PS/2
	Audio	3 x Jack 3.5mm (Line In, Line Out, Mic In)
	LAN	1 x RJ45
	Note	*Alcune interfacce I/O sono utilizzate dalle periferiche interne del tavolo
External I/O Interfaces	USB	2 x USB 2.0
	LAN	1 x RJ45
	HDMI	1 x HDMI Optional
	Note	* Check the installed basic model and the available options on the web configurator
Storage	Integrated SATA ctrl	4 x SATA 3 6Gb/s
	HDD/SSD bay	1 x *HDD/SSD SATA 2.5"
	Note	* Check the installed basic model and the available options on the web configurator
Graphics subsystem	Integrated video interfaces	Intel® HD Graphics (Depends on installed CPU)
	Dedicated video card	Optional PCIe X16 video card
	Panel	55.0" WUXGA TFT LCD
	Backlight	LED
	Aspect ratio	16:9
	Resolution	Full HD 1920 x 1080
	Pixel Pitch	0.630 mm x 0.630 mm
	Contrast	1100:1
	Brightness	450 cd/m ²
	Response time	12ms
	Viewing angle	178° (orizzontale/verticale)
	Touchscreen optional	Surface Light Wave 4 touch or 32 touch

Audio subsystem	Integrated audio interfaces	6 channels High Definition Audio (VIA VT1705)
	Integrated speaker	2 x 10W
Network subsystem	Integrated network controller	1 x 10/100/1000 Realtek® GbE LAN
	WiFi optional	1 x Wireless High Gain N 150Mbps USB (IEEE 802.11n, IEEE 802.11g, IEEE 802.11b)
Power	Standard PSU	AC INPUT: 100-240V, 60-50Hz
Mechanical features	W* x H x D*	1472mm x 990mm x 936mm *upper surface
	Tilt	Adjustable shelf with preset positions at 0° 45° 65°
	Color	Black/Chrome
	Weight	Estimated in 130Kg for medium configuration
Optional Ask for them	Touchscreen	Surface Light Wave 4 touch or 32 touch
	HDMI	External HDMI output for connecting a second display or projector
	NFC	NFC reader positioned on the display
	WiFi	1 x Wireless High Gain N 150Mbps USB (IEEE 802.11n, IEEE 802.11g, IEEE 802.11b)
	Operating temp.	From +5°C to + 35°C
	Non op. temp.	From -20°C to +70°C
Environment	RH	95% @ 30°C non cond.
	Reference Marks	CE, RoHS
Product Certifications	Directive	Built according to EU Directive 2014/53/UE (RED) & 2011/65/EU(RoHS)
	Reference standard	UNI EN ISO 9001
Company Certificazione Aziendale	Norme di riferimento	UNI EN ISO 9001
Product code	CNTAVSKILL550-17-03	Skill550 Multimedia desk without optional
	Doc. code	ZST-4292-00000080-00



Scan me

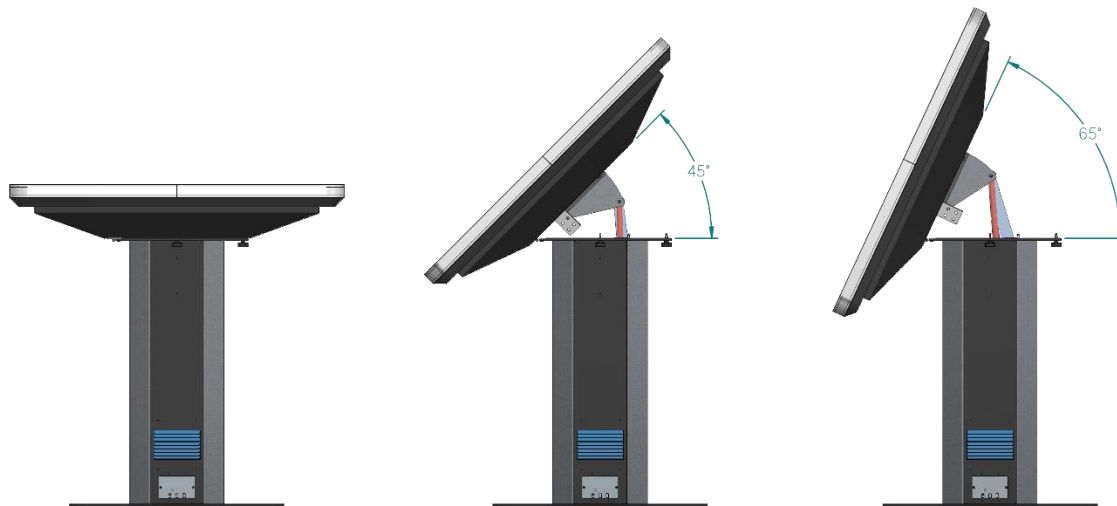
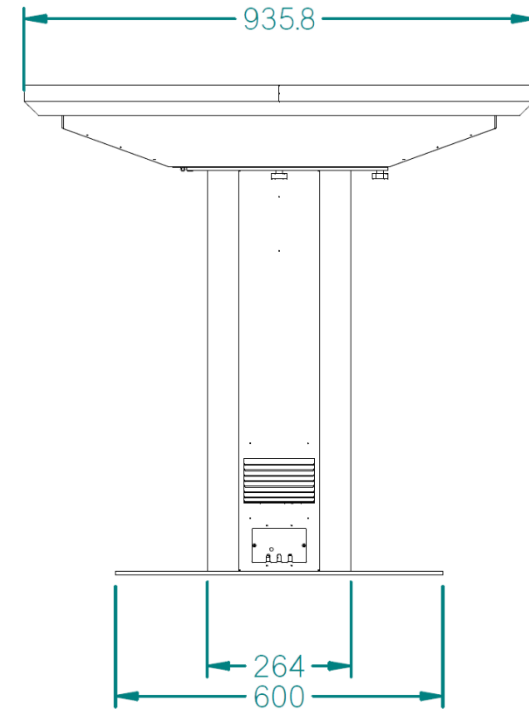
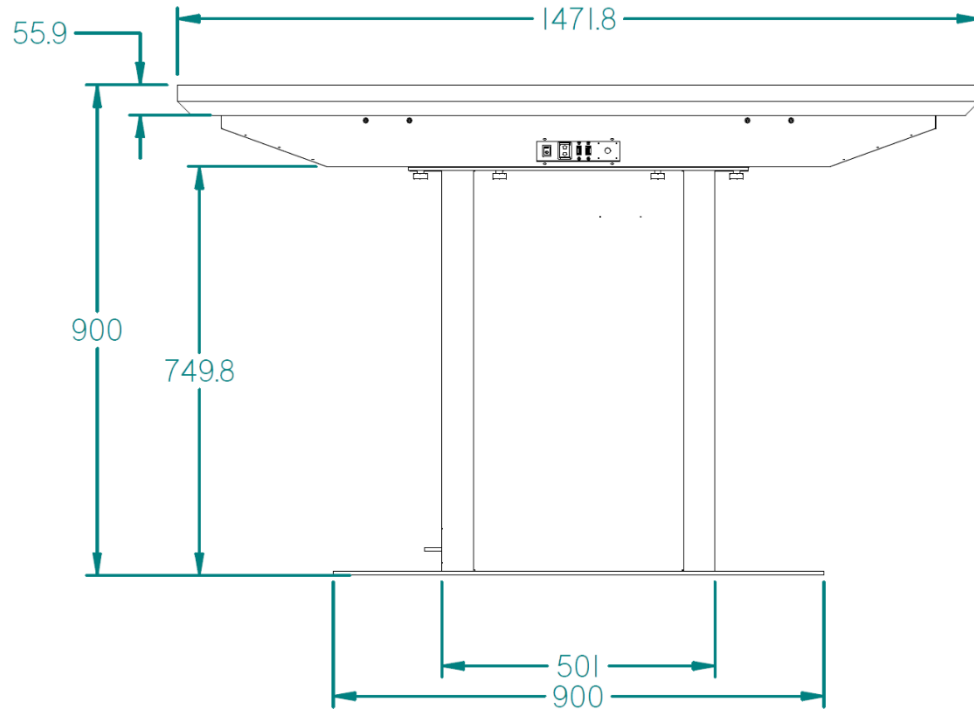


Intercomp S.p.A.
Via della Scienza 27, 37139, Verona, Italia
Tel +39 045-8378411 Fax +39 045-8510539
www.intercomp.it intercomp@intercomp.it

The product may differ from the images shown. All registered names and trademarks are legitimate owners. All features and specifications can be changed without prior notice.
Last update 21/07/2020



Mechanical specifications



Scan me



Intercomp S.p.A.
Via della Scienza 27, 37139, Verona, Italia
Tel +39 045-8378411 Fax +39 045-8510539
www.intercomp.it intercomp@intercomp.it

The product may differ from the images shown. All registered names and trademarks are legitimate owners. All features and specifications can be changed without prior notice.
Last update 21/07/2020