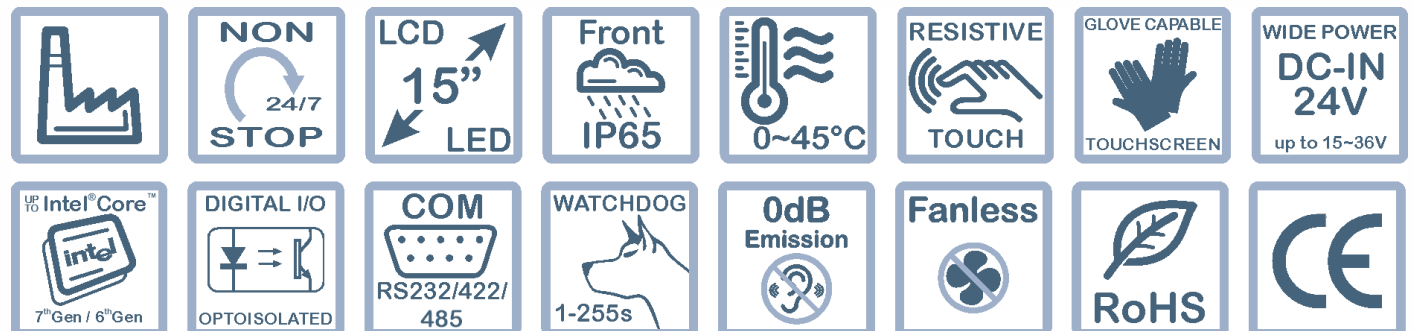


iCOMAC5115

Panel PC for industrial environment



- ✓ Display 15" 4:3 1024x768
- ✓ Resistive touchscreen
- ✓ Chassis designed for industrial environments
- ✓ Front panel with IP65 protection rating and protected USB port
- ✓ Fanless cooling system
- ✓ No acoustic impact, 0dBA emissions with SSD storage
- ✓ High availability of I/O ports: Digital I/O, RS232/422/485, Gb LAN...
- ✓ High performance computing thanks to Intel® Core™ processor





Technical features

System	Processor	7 th & 6 th Generation Intel® Core™ i3/i5/i7 TDP MAX 35W - LGA1151 Socket	
	Chipset	Intel® H110 Chipset (Intel® GL82H110 PCH)	
	Internal expansion slots	1 x Full-size mSATA (USB/SATA) 1 x Half-size miniPCIe (USB/PCIe)	
Memory	Max expansion	32GB	
	Type	SO-DIMM DDR4 1866/2133MHz	
Front I/O interfaces	Slot	2 (dual channel)	
	USB	1 x USB 2.0 With IP 65 protection	
Back I/O interfaces	Serial	1 x *RS232/422/485 *Default 1 x RS232 1 x RS232 (optional)	
	USB	4 x USB 3.0/2.0/1.1 2 x USB 2.0/1.1	
	LAN	2 x RJ45	
	Video	1 x DVI-D 1 x HDMI	
	Digital I/O	2 x 10P Phoenix connector : 4 x Opto isolated inputs 12 x Opto isolated outputs (max 50mA@24VDC per pin)	
	Power	1 x DC-IN (Phoenix 2P)	
	Button	1 x Power switch 1 x Remote power switch (Phoenix 2P)	
	Storage	Internal storage bay HDD/SSD	1 x HDD/SSD SATA 2.5" 1 x mSATA SSD
		External storage bay HDD/SSD	1 x Removable box for HDD/SSD SATA 2.5" (This is the default bay for the primary storage device)
		Controller	SATA 2 3.0Gb/s
	Graphics subsystem	Integrated graphics adapter	Intel® HD Graphics
Supported features		DirectX 12, OpenGL 5.0, OpenCL 2.1	
Resolution (external port)		DVI-I: up to 1920x1200@60Hz HDMI: up to 2560x1600@60Hz or 4096x2160@24Hz	
Max. contemporary display		2 (1 x internal LCD + 1 x external port)	
LCD panel		Panel type a-Si TFT active matrix LCD	
LCD panel	Size	15"	
	Aspect Ratio	4:3	
	Pixel HxV	1024 x 768	
	Pixel Pitch	0.297x0.297mm	
	Color	16.7M	
	Contrast ratio	700:1	
	Brightness	400 cd/m ²	
	Response time	5ms	
	Viewing angle	Horizontal 160° - Vertical 140°	
	Touchscreen	Type	Resistive 5 wires
		Interface	USB
Management	Watchdog timer	Software programmable from 1 to 255s	
	Wake On Events	WOL (Wake On Lan) Wake by RTC (Wake by date/time) AC power failure recovery	
Network subsystem	Integrated LAN adapter	1 x Intel® I211AT PCIe (10/100/1000Mbps) 1 x Intel® I219V PCIe (10/100/1000Mbps)	
Power supply	Input voltage	24V DC (Optional external AC power adapter) Tolerance : From 15V DC to 36V DC	
	Power consumption	Average 57W Condition : 75% stress, brightness 100%	
Software	Supported operating system	Windows 10 / 10 IoT Ent. 64bit	
Mechanical	Fixing method	VESA 100	
	Dimensions	See next pages	
Environment	Operating temp.	0°C ~ +45°C with SSD storage 5°C ~ +45°C with HDD storage	
	Non operating temp.	-15°C ~ +60°C	
	Relative humidity	20% ~ 90% Not condensed	
	IP Grade	Front IP65 Back IP40	
	Acoustic emissions	0dB (only without HDD storage)	
Certifications	Reference marks	CE, RoHS	
	Directive	Built according to European Directive 2014/30/EU (EMCD), 2014/35/EU (LVD) and 2011/65/EU (RoHS)	
Company	Reference standard	UNI EN ISO 9001	
Ordering code	CNPCIND150-IC-00	PC iCOMAC5115, 15", RAL7035, T/S RES, H110, DDR4, DIO 1204I, 15-36 VDC in, v.00	
Datasheet	Doc. ref.	ZST-4292-0000071-01	



Scan me



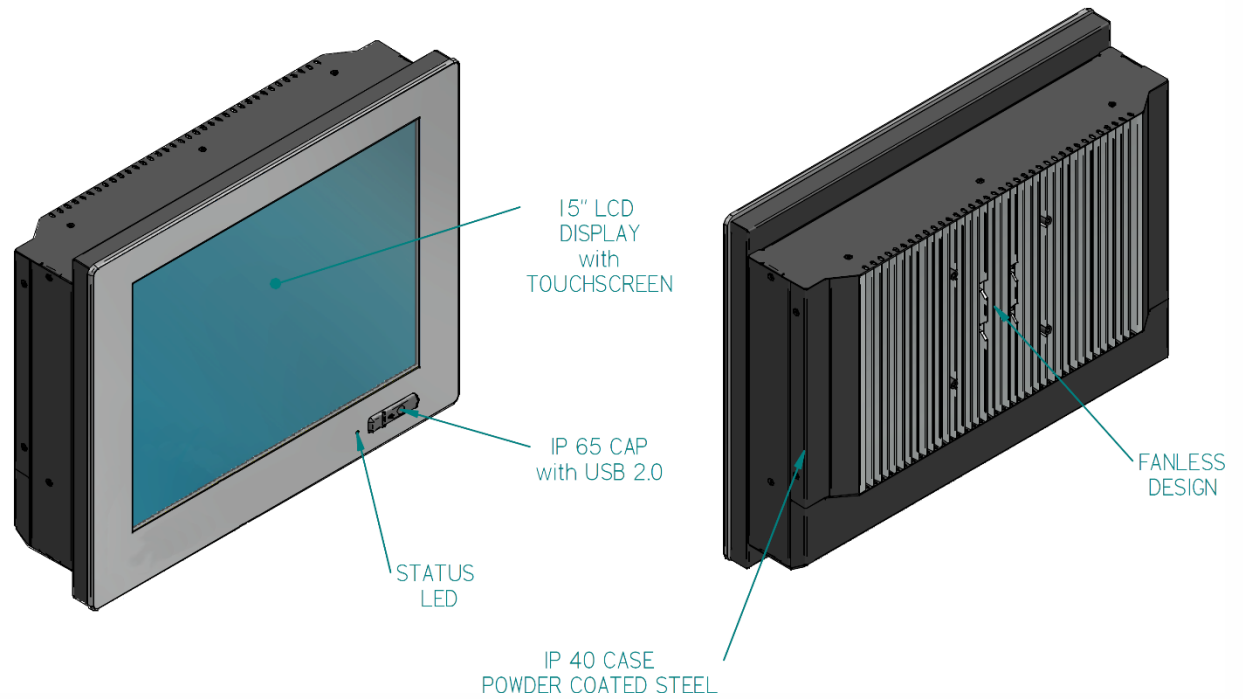
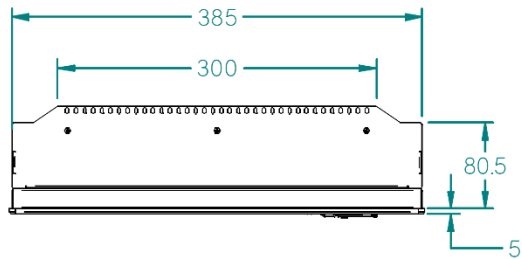
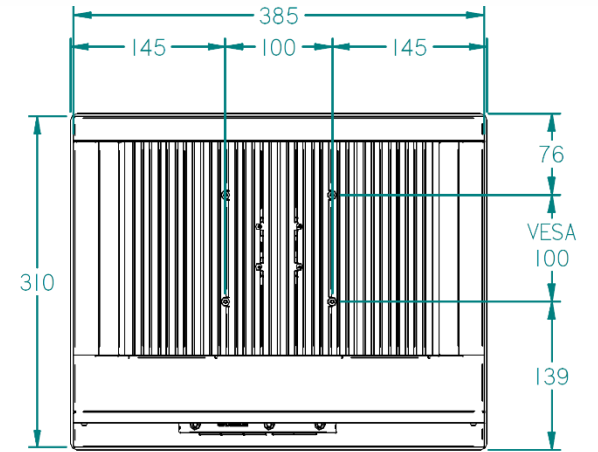
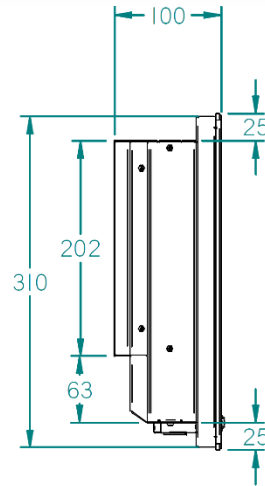
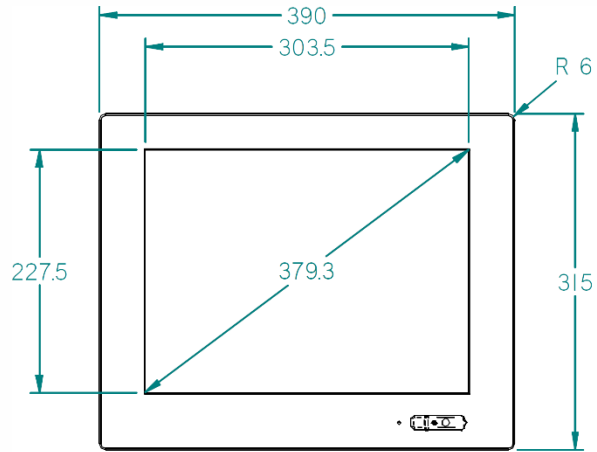
Intercomp S.p.A.
Via della Scienza 27, 37139, Verona, Italia
Tel +39 045-8378411 Fax +39 045-8510539
www.intercomp.it intercomp@intercomp.it



The product may differ from the images shown. All registered names and trademarks are legitimate owners. All features and specifications can be changed without prior notice.
Last update 30/03/2020



Mechanical dimensions



All dimensions are expressed in millimeters (mm)



Product overview

