

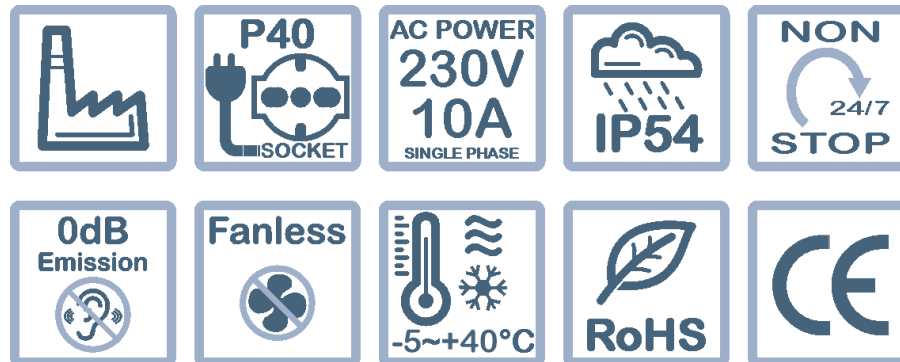


e-RIDER

e-Bike Charging station for outdoor



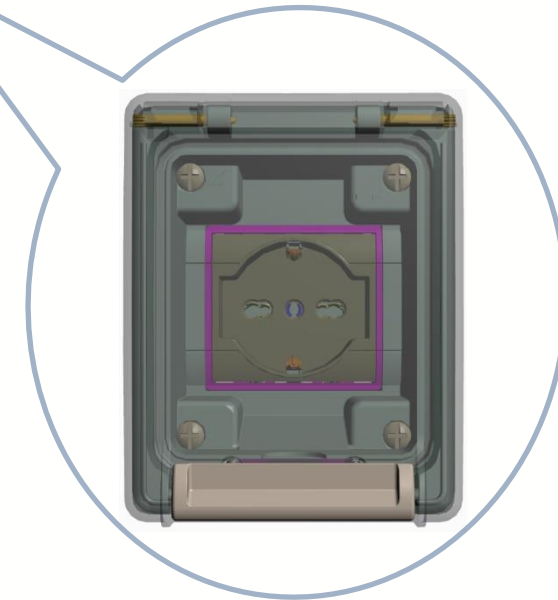
- ✓ Solid structure in painted steel for outdoor environments
- ✓ Compact and easy & customizable
- ✓ 4 delivery power socket
- ✓ IP55 external socket
- ✓ Up to 10A of delivered power per socket
- ✓ Safety device for power failure
- ✓ Automatic reset of the power supply





Technical features

Power delivery	Socket number	4 (2 x each side) Socket P40 Suitable for :	
	Socket type	- P10 "Italian socket 10A" - P11 "Italian socket 16A" - P30 "Schuko socket 16A"	
	Socket protection degree	IP55 (Only when completely closed)	
	Max Power	Up to 10A	
Safety	Max allowed voltage	240V AC	
	Security device	Differential magnetothermic switch (RCCB)	
	Rated current	10A	
	Rated voltage	230/240V (EN/IEC 61009-1, 61009-2-1)	
	Rated residual op. current	30mA	
	Curve	C	
Power	Connection to the power grid	Fixed by internal terminal block	
	Rated voltage	230/240V (EN/IEC 61009-1, 61009-2-1)	
	Rated current	10A	
	Phase	Single phase	
Signaling	Type	AC	
	Powered (optional)	Blue lighted upper edge when the device is powered	
Mechanical features	Dimensions	See next page	
	Color	White RAL9003 Body (customizable on request) Black RAL9005 Base (customizable on request)	
	Labeling	See optional KIT (customizable on request)	
	Weight	Estimated in 50KG	
	Chassis main material	INOX AISI 304	
	Protection degree	IP54	
	Fastening methods	Floor / Fixed installation To be evaluated based on the composition of the support surface	
	Environment	Operating temp.	From -5°C to +40°C
		Non operating temp.	From -20°C to +60°C
	Product Certification	Reference Marks	CE, RoHS
Directive		Built according to European Directive	
Company Certification	Reference standards	UNI EN ISO 9001	
Ordering code	CNERIDER-01A-00	e-RIDER Basic config., RAL9003	
Optional KIT	EKIT-ERIDER-LAB01-00	Labeling coating kit, "E-Rider" INTERCOMP style	
	EKIT-ERIDER-LED01-00	Blue lighted upper edge kit	
	EKIT-ERIDER-RST01-00	Two bike rack kit	
	EKIT-ERIDER-BSE01-00	Ground fixing kit	
Ref. Doc.		ZST-4292-00000081-00	



Scan me

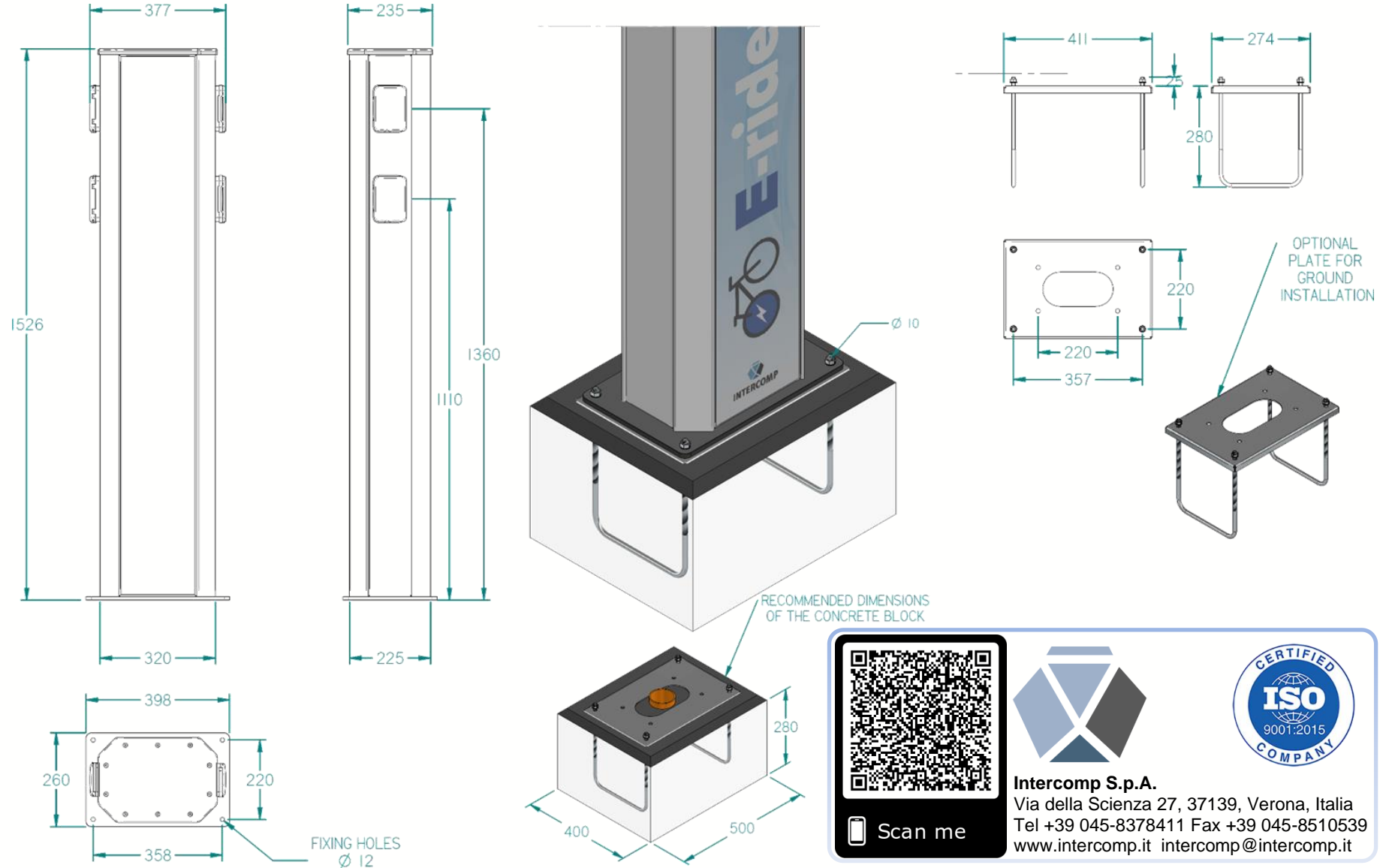


Intercomp S.p.A.
Via della Scienza 27, 37139, Verona, Italia
Tel +39 045-8378411 Fax +39 045-8510539
www.intercomp.it intercomp@intercomp.it

The product may differ from the images shown. All registered names and trademarks are legitimate owners. All features and specifications can be changed without prior notice.
Last update 07/08/2020



Mechanical features



All dimensions are expressed in millimeters (mm)





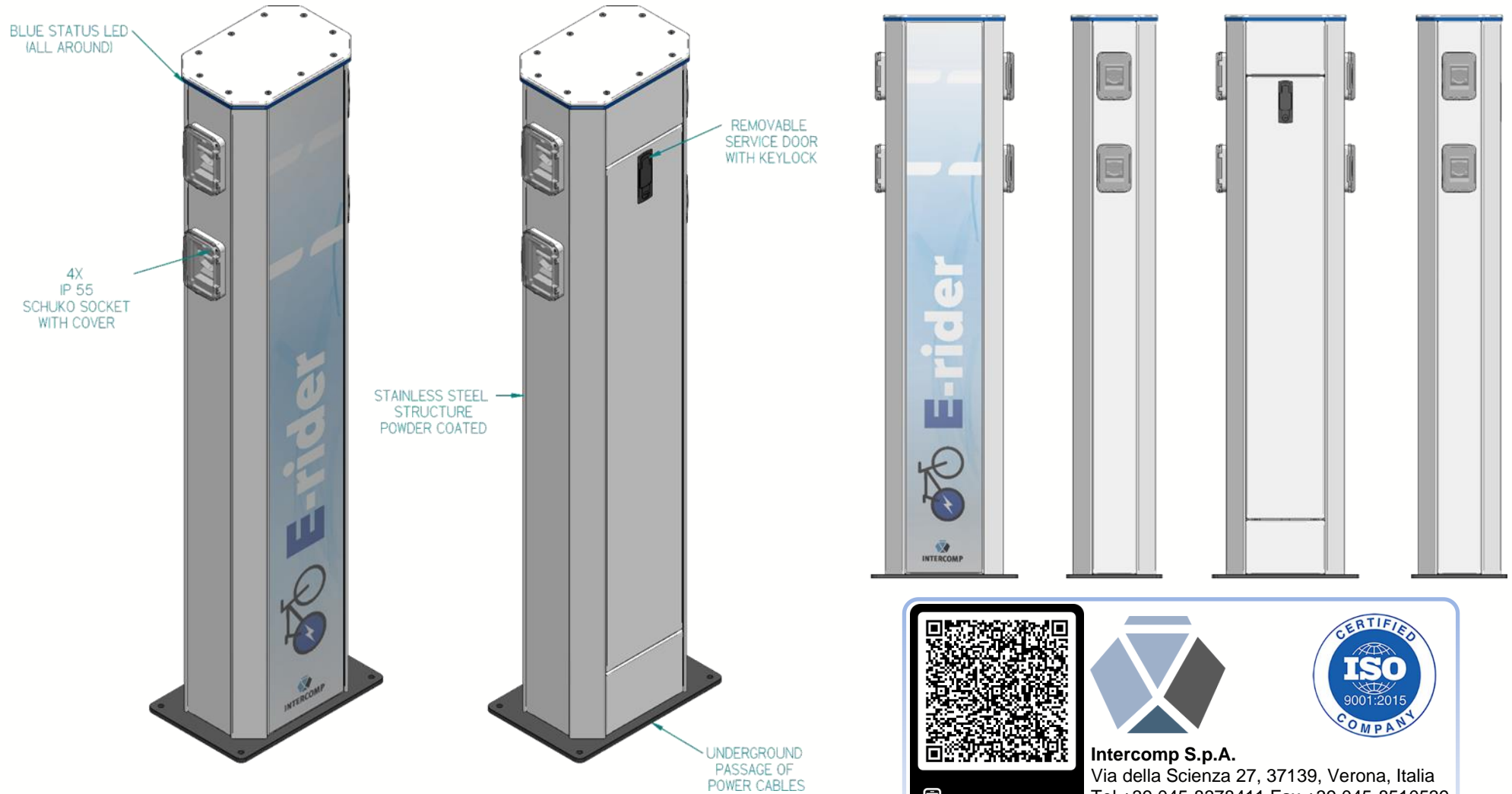
Intercomp S.p.A.
Via della Scienza 27, 37139, Verona, Italia
Tel +39 045-8378411 Fax +39 045-8510539
www.intercomp.it intercomp@intercomp.it

Scan me

The product may differ from the images shown. All registered names and trademarks are legitimate owners. All features and specifications can be changed without prior notice.
Last update 07/09/2020



Product overview



Scan me



Intercomp S.p.A.
Via della Scienza 27, 37139, Verona, Italia
Tel +39 045-8378411 Fax +39 045-8510539
www.intercomp.it intercomp@intercomp.it

The product may differ from the images shown. All registered names and trademarks are legitimate owners. All features and specifications can be changed without prior notice.
Last update 07/08/2020