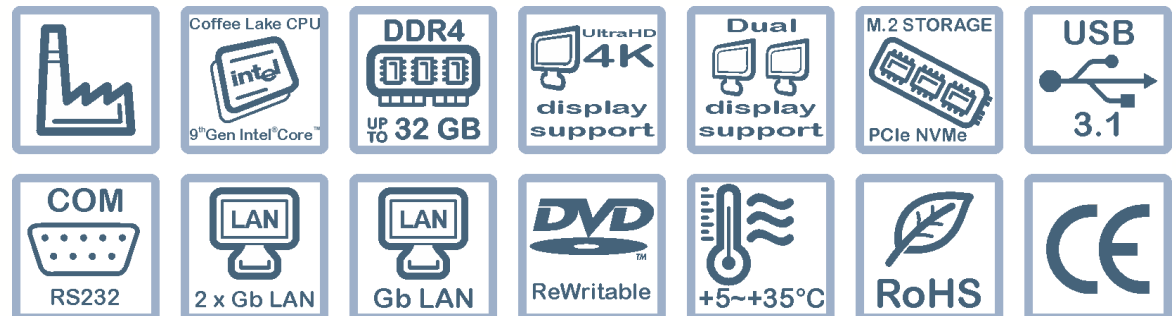


Pc Box 280

Pc Box for industrial environment



- ✓ Chassis designed for industrial environments
- ✓ Up to 9th generation Intel® Core™ processor
- ✓ Intel® HD graphics with up to 2 simultaneous displays
- ✓ Ultra-Fast M.2 with PCIe x2 & SATA interface
- ✓ High availability of I/O ports
- ✓ Wall mount or desktop capable
- ✓ External AC/DC adapter



Pc Box 280

Pc Box for industrial environment



System features

System	Processor	Socket LGA 1151 Intel® Core™ from 6 th to 9 th gen. Intel® Core™ i7 / Core™ i5 / Core™ i3 / Pentium	
	Chipset	Intel® H310 Express Chipset	
	BIOS	1 x 128 Mb AMI UEFI BIOS PnP 1.0a, DMI 2.7, WfM 2.0, SM BIOS 2.7, ACPI 5.0	
	Expansion slots	1 x PCI Express 3.0 x16 2 x PCI Express 2.0 x1* <small>*used for expansion card : Gb LAN & RS232</small>	
	Max exp.	32GB	
Memory	Type	DDR4- 2666/2400/2133 UDIMM 288pin 4GB, 8GB, 16GB	
	Slots	2	
	On/Off	1 x Power button 1 x Power led (integrated on power button)	
Front I/O Interfaces	Serial	4 x RS232	
Back I/O interfaces	LPT	N/A	
	USB	6 x USB 2.0 2 x USB 3.1 gen.1 2 x USB 3.0 optional	
	Keyboard/Mouse	2 x PS/2	
	Audio	3 x Jack 3.5mm (Line In, Line Out, Mic In)	
	LAN	2 x RJ45	
	Video	1 x VGA DB15 1 x DVI-D 1 x HDMI	
	Storage	Integrated SATA ctrl	4 x SATA 3 6Gb/s 1 x M.2 (Socket 3, M key, 2242/2260/2280 SATA and PCIe x2 SSD)
		HDD/SSD	1 x HDD SATA 2.5" 1 x SSD SATA 2.5"
		ODD	1 x Slim DVD+/-RW Drive
	Graphics subsystem	Integrated video interfaces	Intel® HD Graphics (depends on the CPU model) Memoria condivisa massima : 1GB
Max resolution		VGA DB15 : 1920x1200@60Hz DVI-D : 1920x1200@60Hz HDMI 1.4 : 4096x2160@30Hz (HDCP 2.2 support)	
Contemporary active displays		Max 2	
Audio subsystem	Integrated audio interfaces	Intel® HD Audio (codec Realtek® ALC887)	
	Channel	2 / 4 / 5.1 / 7.1 The HDMI 1.4 port carries the audio signal	

Network subsystem	Integrated network controller	2 x 10/100/1000 Realtek® GbE LAN
	Power	External AC/DC Adapter AC Input:100-240V, 2A, 50-60Hz DC Output:19V 7.89A
Mechanical features	L x A x P	Vertical : 290.5mm x 163mm x 305mm Horizontal : 323mm x 163mm x 305mm (with bracket)
	Weight	6 Kg for medium configuration
	Internal bay	2 x 2" ½ unit
	External bay	1 x Slim 5" ¼ unit
Software	Cooling system	1 x 92x92x25mm front fan with dust filter
	Colour	Dark gray 66024
	Supported operating system	Microsoft Windows 10 64bit
Environment	Operating temp.	From +5°C to + 35°C
	Non op. temp.	From -20°C to +70°C
	RH	95% @ 30°C non cond.
Product certifications	Reference marks	CE, RoHS
	Directives	Built according to European Directive 2014/30/EU (EMCD), 2014/35/EU (LVD) and 2011/65/EU (RoHS)
Company	Reference standard	UNI EN ISO 9001
Product code	CNA593N9IN0	PC BOX 280 H310, DDR4, Gb Lan+SATA3, USB 2.0/3.0
	Ref.	ZST-4292-00000070-00



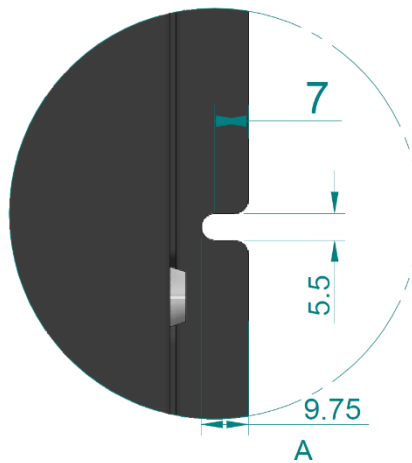
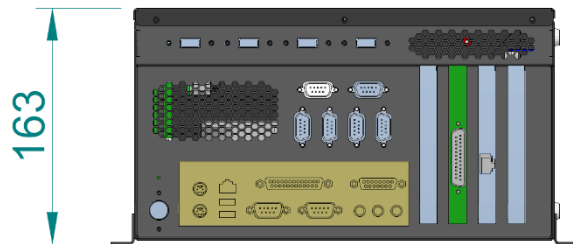
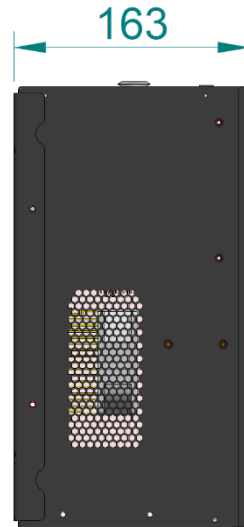
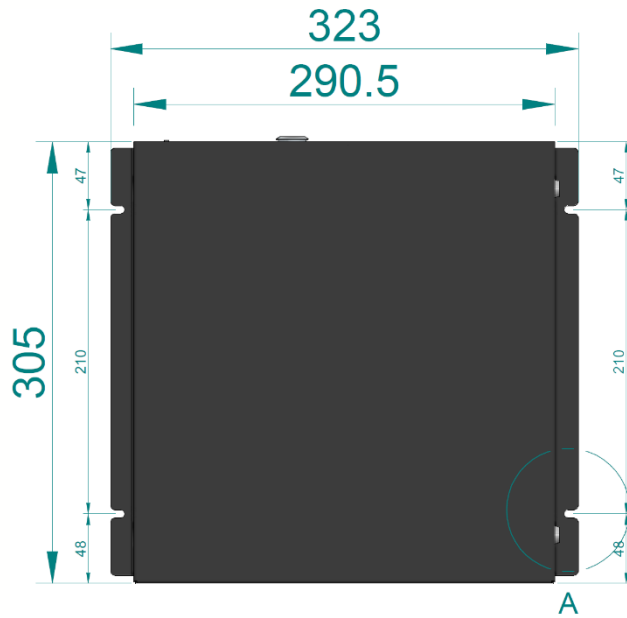
Intercomp S.p.A.

Via della Scienza 27, 37139, Verona, Italia
Tel +39 045-8378411 Fax +39 045-8510539
www.intercomp.it intercomp@intercomp.it

The product may differ from the images shown. All registered names and trademarks are legitimate owners. All features and specifications can be changed without prior notice.
Last update 23/03/2020



Mechanical features



All dimensions are expressed in millimeters (mm)