

Brianza190

Totem for Industrial environment



- ✓ Designed for hard industrial environments
- ✓ Enclosure with IP54 degree of protection
- ✓ Fanless cooling system
- ✓ 19" LCD with LED backlight
- ✓ Vandal-proof stainless steel keyboard
- ✓ Central unit easily replaceable
- ✓ High capacity with 7th generation Intel® Core™ processors





| | | |
|---------------------------------|-------------------------------------|--|
| System | Supported Processors | 7 th & 6 th Generation Intel® Core™ i3/i5/i7 TDP MAX 35W - LGA1151 Socket |
| | Chipset | Intel® H110 Chipset (Intel® GL82H110 PCH) |
| | Internal expansion slots | 1 x Full-size mSATA (USB/SATA) 1 x Half-size Mini PCIe (USB/PCIe) used fo WiFi/BT module |
| Memory | Max expansion | 32GB |
| | Type | SO-DIMM DDR4 1866/2133/2400MHz |
| | Total slots | 2 (Dual Channel) |
| Front I/O interfaces | USB | 1 x USB 3.0 IP68 |
| Rear I/O interfaces* | USB | 1 x USB 3.0 IP68 |
| Internal I/O interfaces* | USB | 1 x USB 3.0 |
| | Ethernet | 1 x 2.5mt RJ45 LAN cable |
| | Power | 1 x 2.5mt ITA power cable |
| | Storage | Internal storage bay HDD/SSD 1 x SSD Full-size mSATA 1 x SSD/HDD 2.5" SATA |
| Monitoring | Controller | SATA 3 6.0Gb/s |
| | Watchdog | Programmable watchdog timer from 1 to 255 seconds (system reset) |
| Graphics subsystem | Integrated graphics adapter* | Intel® HD Graphics <small>*Features depends on installed processor</small> |
| | Supported features | DirectX 12, OpenGL 5.0, OpenCL 2.1 |
| | Display | Panel type : a-Si TFT-LCD (LED Backlight) Diagonal / aspect ratio : 19" / 5:4 Pixel OxV : 1280 x 1024 Pixel Pitch : 294(O) x 294(V) um Contrast : 1000:1 Brightness : 250 cd/m ² Response time : 5ms Viewing angle : 170°(H)/160°(V) |
| Network subsystem | Touchscreen | Touchscreen 4 contemporary touches Technology: IR (InfraRed) |
| | Integrated LAN adapter | 1 x Intel® 10/100/1000Mbps |
| | Integrated WiFi adapter | IEEE 802.11a/b/g/n/ac WLAN 2.4GHz and 5GHz, up to 866.7Mbps |
| | Integrated BT adapter | Bluetooth Supported standard : BT 2.1/3.0/4.0 |

| | | |
|-----------------------------------|-----------------------------------|--|
| Power Software | Nominal input | 230V AC |
| | Supported operating system | Windows 10 64bit |
| Optional features | Keyboard | IP65 vandal proof stainless steel industrial keyboard 69 keys, IT Layoyt 400 DPI trackball 3 mouse buttons |
| | Rfid | Mechanical predisposition. Request for more information. |
| | BCR | Barcode reader. Mechanical support, see next pages. Request for more information. |
| Mechanical characteristics | L x A x P | see next pages |
| | Weight | Kg (estimate) |
| | Fastening | Floor fixing |
| | Colour | Standard : RAL9005 fine wrinkled Optional : Different colors on request, subject to availability and minimum purchase quantity is required. |
| Environment | Operating temp. | From +0°C to +45°C |
| | Non operating temp. | From -10°C to +70°C |
| | IP Grade | IP54 IP68 on the external USB connector |
| Certifications | Acoustic emission | 0dBa (only with SSD storage) |
| | Markings | CE, RoHS |
| | Directives | Built according to European Directive 2014/53/EU (RED) and 2011/65 / EU (RoHS) |
| Company | Reference marks | UNI EN ISO 9001 |
| Product code | CNTOTEM19P-S-18-01E | Totem "Brianza190", ANONIMO, T/S IR, WIFI+BT, NERO RAL9005 OPACO |
| Datasheet code | ZST-4292-00000036-01 | |





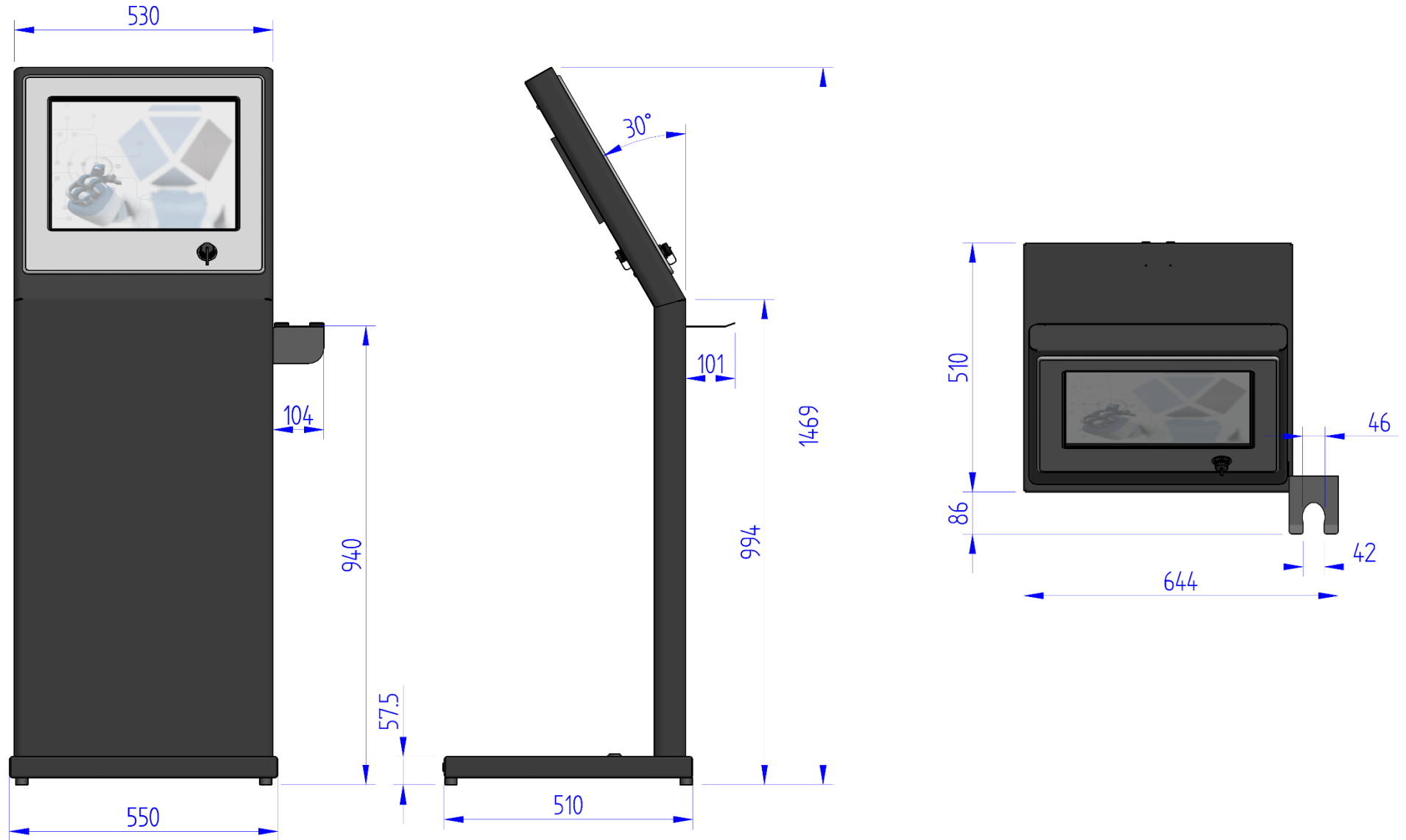
 **Scan me**

Intercomp S.p.A.
Via della Scienza 27, 37139, Verona, Italia
Tel +39 045-8378411 Fax +39 045-8510539
www.intercomp.it intercomp@intercomp.it

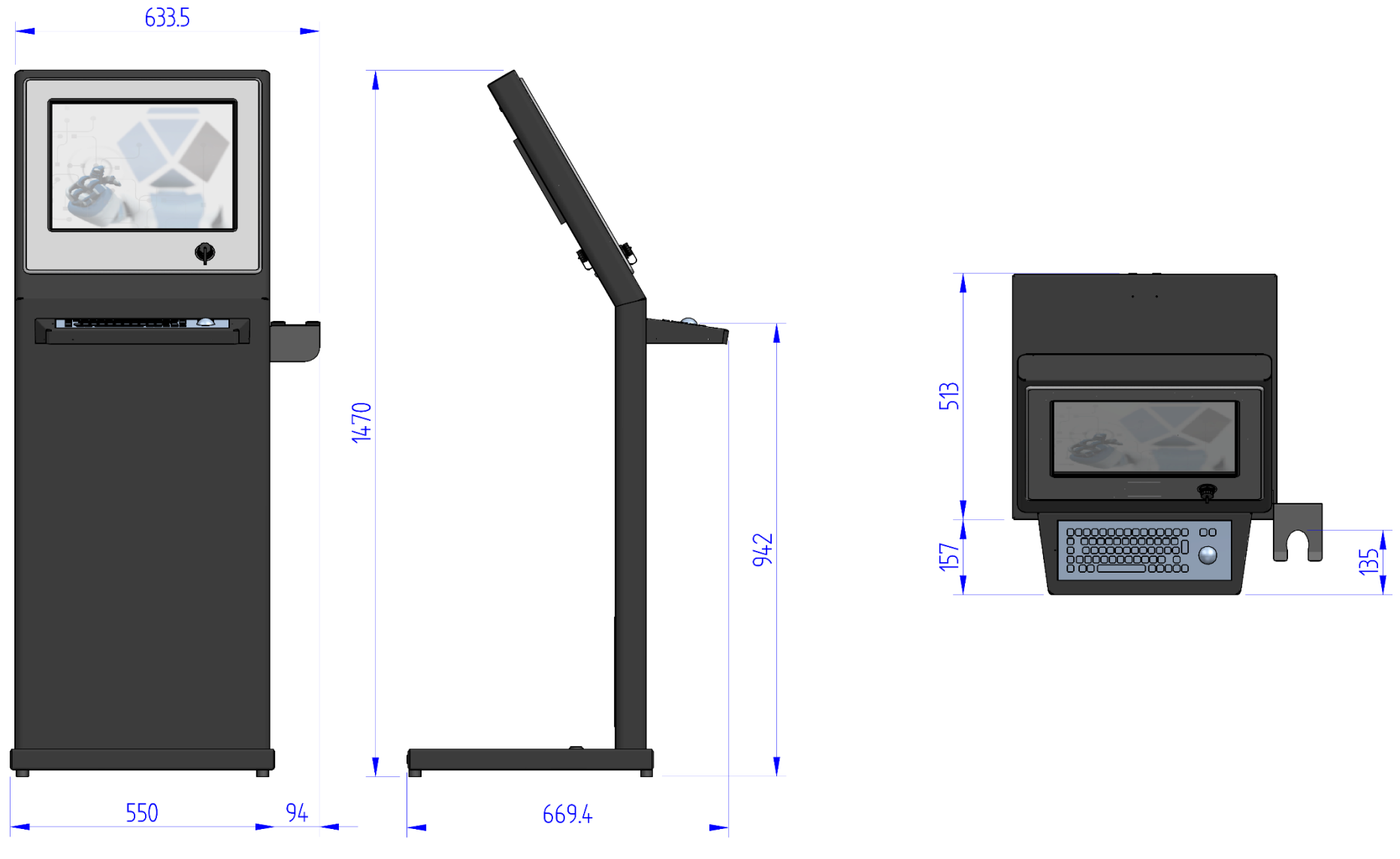
The product may differ from the images shown. All registered names and trademarks are legitimate owners. All features and specifications can be changed without prior notice.
Last update 07/04/2020



Totem Brianza190 without keyboard.



All dimensions are expressed in millimeters (mm)



All dimensions are expressed in millimeters (mm)