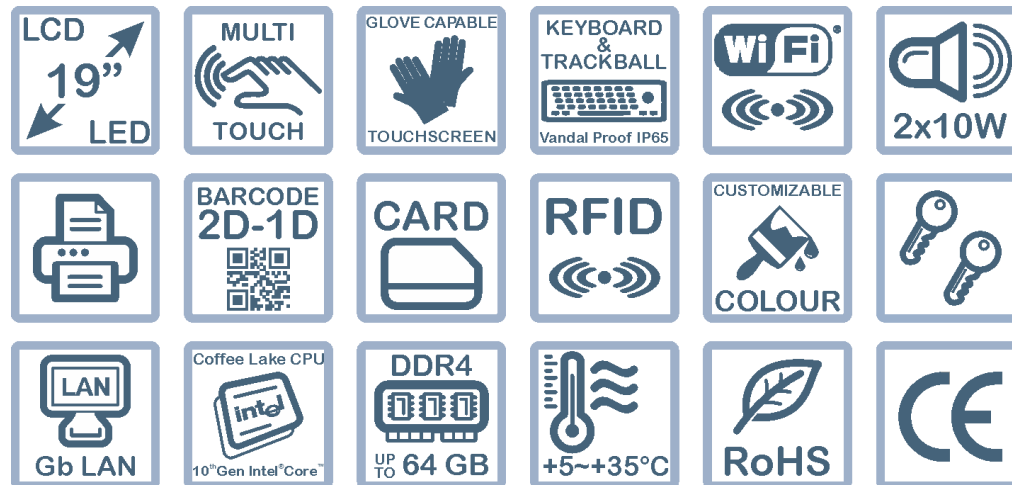


Torino194

Digital Signage indoor kiosk




- ✓ Large 19" LCD display with LED backlight
- ✓ Solid painted steel structure
- ✓ 80mm thermal printer
- ✓ Vandal proof keyboard
- ✓ Integrated speakers
- ✓ LAN & WiFi connectivity
- ✓ High processing capacity thanks to 10th Intel® Core™ processors
- ✓ Modular, with a wide range of configurations and accessories





Technical specifications

System	Processor	Socket LGA 1200 Intel® Core™ 10 th gen. Intel® Core™ i9 / i7 / i5 / i3 / Pentium	
	Chipset	Intel® H410 Express Chipset	
	BIOS	1 x 128 Mb AMI UEFI BIOS PnP 1.0a, DMI 2.7, WfM 2.0, SM BIOS 2.7, ACPI 5.0	
	Expansion slots	1 x PCI Express 3.0 x16 2 x PCI Express 2.0 x1 Supports up to ASPM L1.2 power management protocols.	
Memoria	Max exp.	64GB	
	Type	DDR4- 2933/2666/2400/2133 UDIMM 288pin 4GB, 8GB, 16GB, 32GB	
	Slots	2	
Internal I/O interface*	Note	*Some I/O interfaces are used by the internal devices	
	Serial	1 x RS232 (optional)	
	LPT	N/A	
	USB		4 x USB 2.0 2 x USB 3.2 gen.1 2 x USB 3.2 gen.1 optional 2 x USB 2.0 optional
		Mouse/keyboard	2 x PS/2
		Audio	3 x Jack 3.5mm (Line In, Line Out, Mic In)
		Video	1 x VGA DB15 1 x DVI-D 1 x HDMI
	External I/O interface	LAN	1 x RJ45
	Storage	Integrated SATA ctrl	4 x SATA 3 6Gb/s 1 x M.2 (Socket 3, M key, 2242/2260/2280 SATA and PCIe x2 SSD)
		HDD/SSD bay	1 x 2.5"
Video subsystem	Integrated video adapter	Intel® HD Graphics Features depend on installed CPU	
	LCD Display	19.0" TFT	
	Color	16.7M	
	Viewing angle	H: 176° V: 170°	
	Response time	5ms	
	Brightness	250 cd/m ²	
	Contrast	1000:1	
	Recommened res.	1280x1024	
	Touchscreen	See ordering code for available option	
	Audio subsystem	Integrated audio adapter	Up to 7.1 High Definition Audio Codec Realtek® ALC887
Speaker		2 x 10W	

Network interface	Integrated network adapter	1 x 10/100/1000 Realtek® GbE LAN
	WiFi (optional)	1 x Wireless High Gain N 150Mbps USB IEEE 802.11n, IEEE 802.11g, IEEE 802.11b
Power Software	Standard PSU	AC INPUT: 100-240V, 60-50Hz
	Supported operating system	Microsoft Windows 10 64bit
Machanical features	Colour	Standard: Gray metallic wrinkled (66024 IN) Optional: Different colors on request, subject to availability and minimum purchase quantity is required.
	L x H x D	510mm x 1434mm x 465mm (without keyboard) 510mm x 1434mm x 637mm (with keyboard)
	Weight	Estimated 55Kg for medium configuration
Environment	Operating temp	From + 5°C to + 35°C
	Non operating temp.	From -30°C to +70°C
	RH	95% @ 30°C non cond.
Certifications	Reference Marks	CE, RoHS
	Directive	Built according to EU Directive 2014/53/UE (RED) & 2011/65/EU(RoHS)
Company cert.	Reference std.	UNI EN ISO 9001
	Doc. code	ZST-4292-00000057-02



Scan me





Intercomp S.p.A.
Via della Scienza 27, 37139, Verona, Italia
Tel +39 045-8378411 Fax +39 045-8510539
www.intercomp.it intercomp@intercomp.it

The product may differ from the images shown. All registered names and trademarks are legitimate owners. All features and specifications can be changed without prior notice.
Last update 17/02/2021



Ordering code

Totem Torino194	Ordering code	CNTOTEM19P-H-19-05A
	Features	Base configuration* + EKIT-17-000006A-00 Single touch touchscreen included Color : Gray metallic wrinkled (66024 IN) *See previous page for detailed information.

Choice notice	→	One of the following LCD kits must be chosen
LCD & Touch opt1	Ordering code	EKIT-17-000006A-00 (default installed in base config.)
	Features	Standard LCD panel : 19" (see previous pages) Touchscreen : SAW 1 touch touchscreen Protection glass : Yes

LCD & Touch opt2	Ordering code	EKIT-17-000007A-00*
	Features	Standard LCD panel : 19" (see previous pages) Touchscreen : IR 4 touch touchscreen Protection glass : Yes

LCD w/o Touch Opt3	Ordering code	EKIT-17-000005A-00*
	Features	Standard LCD panel : 19" (see previous pages) Touchscreen : NO Protection glass : Yes

WiFi	Ordering code	EKIT-IND-WIFI-005A*
	Features	USB Wireless N 150Mbps High Gain 2.4GHz Standard : IEEE 802.11b/g/n 11b/g/n: Up to 11/54/150Mbps(dynamic)

Choice notice	→	Only one of the following card reader kits can be chosen
----------------------	---	---

Card Reader Opt1	Ordering code	EKIT-TOTEM-ACC-0005A*
	Features	Motor hybrid Card Reader, EMV certified, IC/RFID card read/write, Mag card read only, ISO7816-2, ISO7810 ID-1,7811/1,2,3,4,5 and 6, ISO/14443

Card Reader Opt2	Ordering code	EKIT-TOTEM-ACC-0004A*
	Features	125KHz RfID card reader

Printer	Ordering code	EKIT-17-000025A*
	Features	Resolution 203 DPI Printing (mm/sec) 140mm/sec Paper width 80 mm Roll Dimension max 90mm Head Life / MCBF 50Km/100M pulses / 1M cuts

Choice notice	→	Only one of the following keyboard kits can be chosen
----------------------	---	--

Keyboard Opt1	Ordering code	EKIT-TOTEM-ACC-0011*
	Features	Kiosk keyboard kit : 66 keys, Trackball + 3 mouse button, IP65, vandal proof, IT layout, w/o ctrl-alt-del keys

Keyboard Opt2	Ordering code	EKIT-TOTEM-ACC-0012*
	Features	Kiosk keyboard kit : 66 keys, Trackball + 3 mouse button, IP65, vandal proof, IT layout, with ctrl-alt-del keys

Choice notice	→	The barcode kit can be chosen in combination with keyboard kit
----------------------	---	---

BCR reader Opt1	Ordering code	EKIT-TOTEM-ACC-0017A*
	Features	Shelf kit with BCR 1D/2D reader (w/o keyboard) Compatible with most 1D & 2D barcode USB interface

BCR reader Opt2	Ordering code	EKIT-17-000026*
	Features	Frontal omnidirectional laser scan engine : Code 39, Code 93, Code 128, UPC/EAN/JAN, Code 2 of 5, Code 11, Codabar, MSI Plessey, GS1 DataBar, Telepen, Trioptic

Choice notice	→	The shelf kit can not be chosen in combination with keyboard or barcode kit
----------------------	---	--

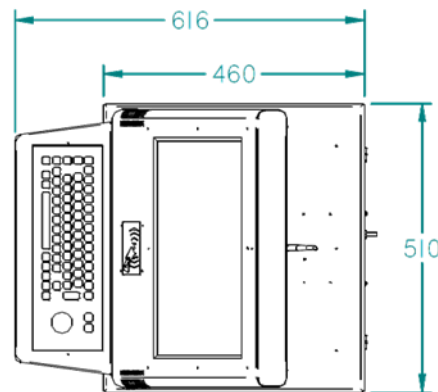
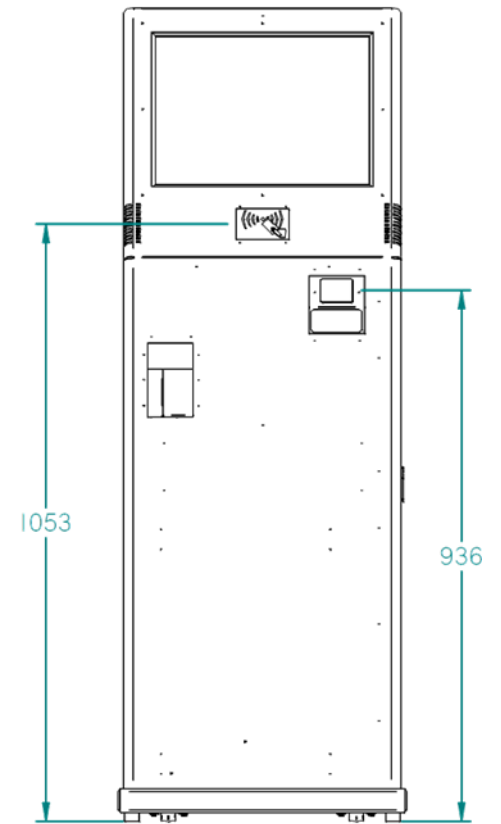
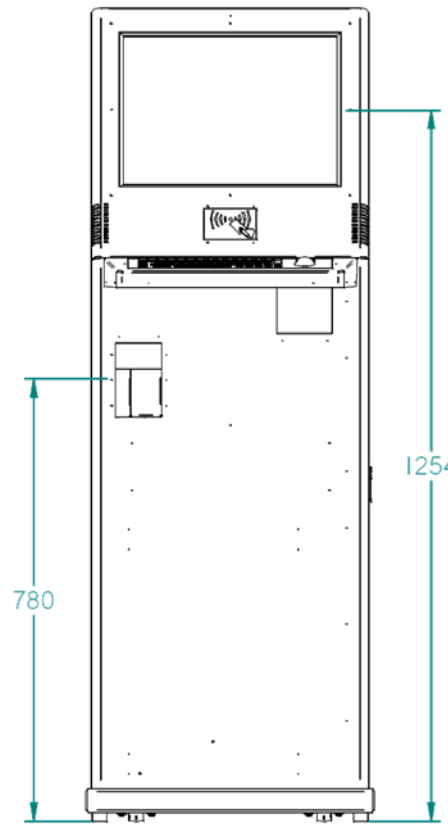
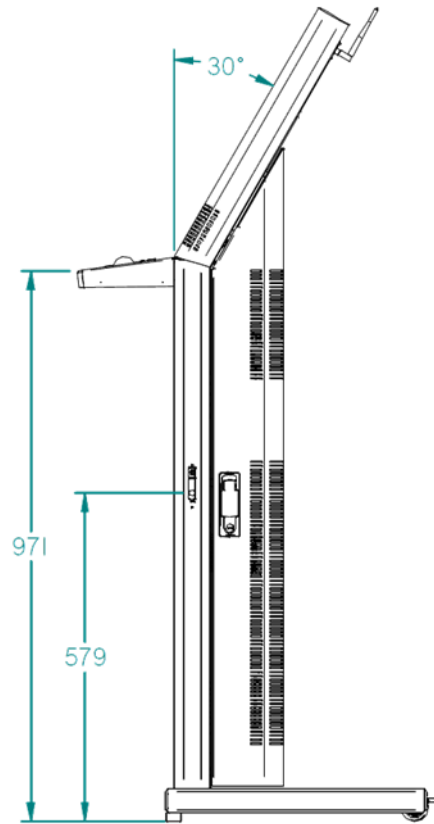
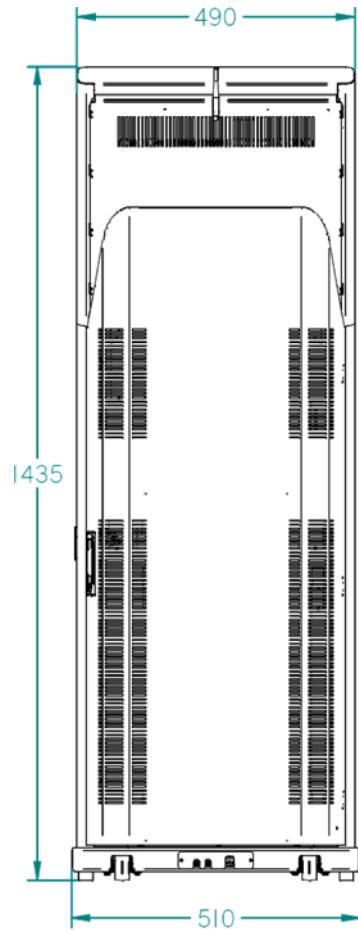
Shelf	Ordering code	EKIT-TOTEM-ACC-0014*
	Features	Shelf kit (w/o keyboard, w/o barcode reader)

Customer USB	Ordering code	EKIT-TOTEM-ACC-0048*
	Features	1 x USB 2.0 Right side customer accessible USB port. Protected by rubber cap.

* Intended as optional kit



Mechanical specifications



All dimensions are expressed in millimeters (mm)



Scan me



Intercomp S.p.A.
Via della Scienza 27, 37139, Verona, Italia
Tel +39 045-8378411 Fax +39 045-8510539
www.intercomp.it intercomp@intercomp.it

The product may differ from the images shown. All registered names and trademarks are legitimate owners. All features and specifications can be changed without prior notice.
Last update 17/02/2021



Product overview



Scan me



Intercomp S.p.A.
Via della Scienza 27, 37139, Verona, Italia
Tel +39 045-8378411 Fax +39 045-8510539
www.intercomp.it intercomp@intercomp.it

The product may differ from the images shown. All registered names and trademarks are legitimate owners. All features and specifications can be changed without prior notice.
Last update 17/02/2021