

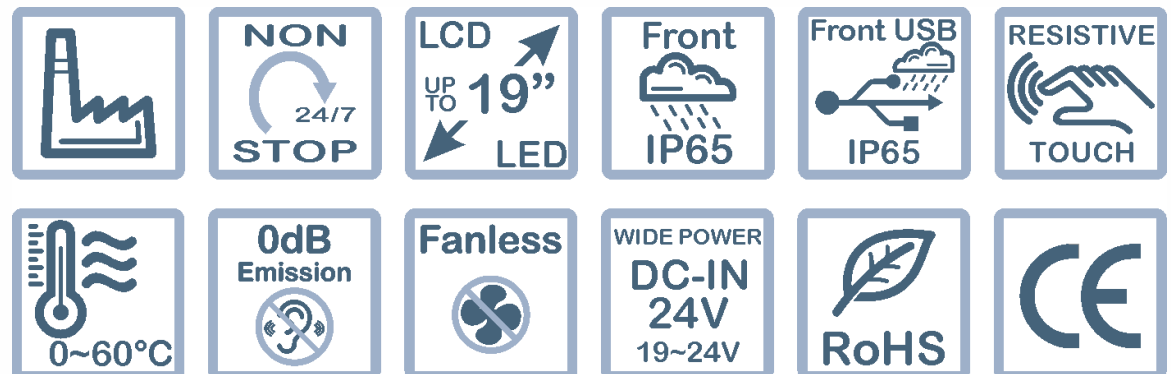


# iCOMAC6100

LCD Panel for industrial environment



- ✓ Three sizes available 15", 17" and 19"
- ✓ Chassis designed for industrial environments
- ✓ Front IP65 protection rating
- ✓ IP65 protected front USB port
- ✓ Fanless cooling system
- ✓ No acoustic impact, 0dBA emissions
- ✓ Resistive touchscreen
- ✓ Wide range power supply





<b>15"</b>	<b>Panel type</b>	a-Si TFT active matrix LCD
	<b>Size</b>	15"
	<b>Aspect Ratio</b>	4:3
	<b>Pixel HxV</b>	1024 x 768
	<b>Pixel Pitch</b>	0.297x0.297mm
	<b>Color</b>	16.7M
	<b>Contrast ratio</b>	700:1
	<b>Brightness</b>	400 cd/m <sup>2</sup>
	<b>Response time</b>	5ms
	<b>Viewing angle</b>	Horizontal 160° - Vertical 140°
	<b>Power consumption</b>	12W
<b>Product code</b>	<b>Aluminum front</b>	CNICOMAC610015ARM-01
	<b>Inox 316</b>	CNICOMAC610015IRM-01

<b>17"</b>	<b>Panel type</b>	a-Si TFT active matrix LCD
	<b>Size</b>	17"
	<b>Aspect Ratio</b>	5:4
	<b>Pixel HxV</b>	1280X1024
	<b>Pixel Pitch</b>	0.264x0.264mm
	<b>Color</b>	16.7M
	<b>Contrast ratio</b>	800:1
	<b>Brightness</b>	350 cd/m <sup>2</sup>
	<b>Response time</b>	30ms
	<b>Viewing angle</b>	Horizontal 160° - Vertical 140°
	<b>Power consumption</b>	22W
<b>Product code</b>	<b>Aluminum front</b>	CNICOMAC610017ARM-01
	<b>Inox 316</b>	CNICOMAC610017IRM-01

<b>19"</b>	<b>Panel type</b>	a-Si TFT active matrix LCD
	<b>Size</b>	19"
	<b>Aspect Ratio</b>	5:4
	<b>Pixel HxV</b>	1280X1024
	<b>Pixel Pitch</b>	0.294x0.294mm
	<b>Color</b>	16.7M
	<b>Contrast ratio</b>	1000:1
	<b>Brightness</b>	350 cd/m <sup>2</sup>
	<b>Response time</b>	10ms
	<b>Viewing angle</b>	Horizontal 170° - Vertical 160°
	<b>Power consumption</b>	17W
<b>Product code</b>	<b>Aluminum front</b>	CNICOMAC610019ARM-01
	<b>Inox 316</b>	CNICOMAC610019IRM-01

## Common features

<b>Touchscreen</b>	<b>Type</b>	Resistive 5 wire
	<b>Interface</b>	USB
<b>Controls</b>	<b>Button</b>	5 x Back access OSD buttons
	<b>Indicator</b>	1 x Back status LED
		1 x Front status LED
<b>Input connector</b>	<b>Video</b>	1 x DVI-D 1 x VGA
	<b>USB</b>	1 x Type B input USB
	<b>Power</b>	1 x Phoenix 2P
	<b>Ground</b>	1 x M4 screw
<b>Output connector</b>	<b>USB</b>	1 x Front, Type A USB 2.0, IP65 protected 2 x Back, Type A USB 2.0
<b>External AC adapter</b>	<b>EKIT-ICOMAC-DC19V-00</b>	Input : 230V 50Hz Output : 19V DC
<b>Power</b>	<b>Input voltage</b>	From 19V DC to 24V DC
	<b>Tolerance</b>	From 15V DC to 30V DC
	<b>Consumption</b>	Depend on display size. See left.
<b>Mechanical</b>	<b>Fixing method</b>	Panel mount VESA 100
	<b>Dimensions</b>	See next pages
	<b>Weight</b>	iCOMAC6100 15": 5.5KG iCOMAC6100 17": 6.5KG iCOMAC6100 19": 7.5KG
<b>Environment</b>	<b>Operating temp.</b>	From 0°C to +60°C
	<b>Non operating temp.</b>	From -20°C to +80°C
	<b>Relative humidity</b>	From 20% to 90% Not condensed
	<b>IP Grade</b>	Front IP65
<b>Certifications</b>	<b>Reference marks</b>	CE, RoHS
	<b>Directive</b>	Built according to European Directive 2014/30/EU (EMCD), 2014/35/EU (LVD) and 2011/65/EU (RoHS)
<b>Company</b>	<b>Reference standard</b>	UNI EN ISO 9001
	<b>Doc. ref.</b>	ZST-4292-00000006-02





**Intercomp S.p.A.**  
Via della Scienza 27, 37139, Verona, Italia  
Tel +39 045-8378411 Fax +39 045-8510539  
[www.intercomp.it](http://www.intercomp.it) [intercomp@intercomp.it](mailto:intercomp@intercomp.it)

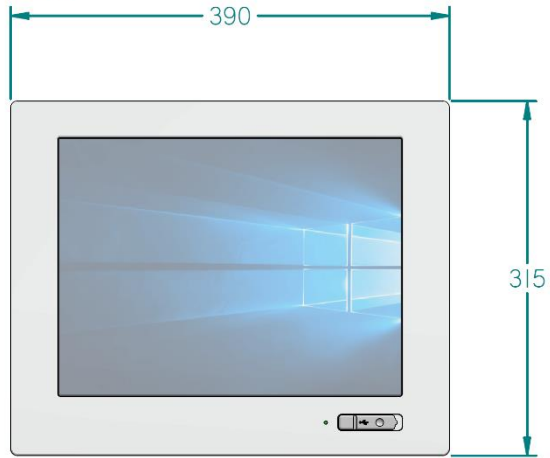
 Scan me

The product may differ from the images shown. All registered names and trademarks are legitimate owners. All features and specifications can be changed without prior notice.  
Last update 19/05/2021

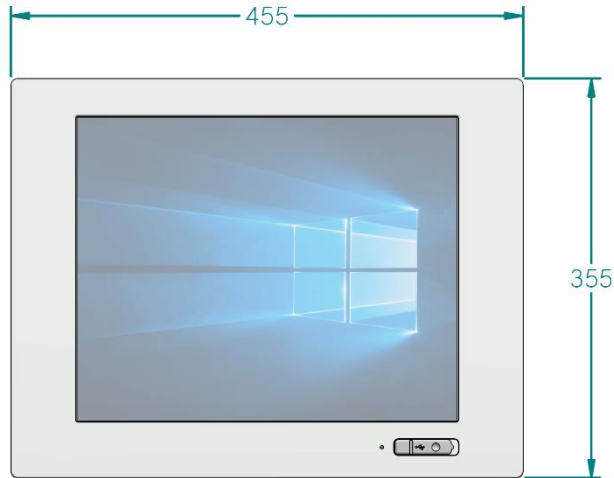


## Dimensions for panel mounting

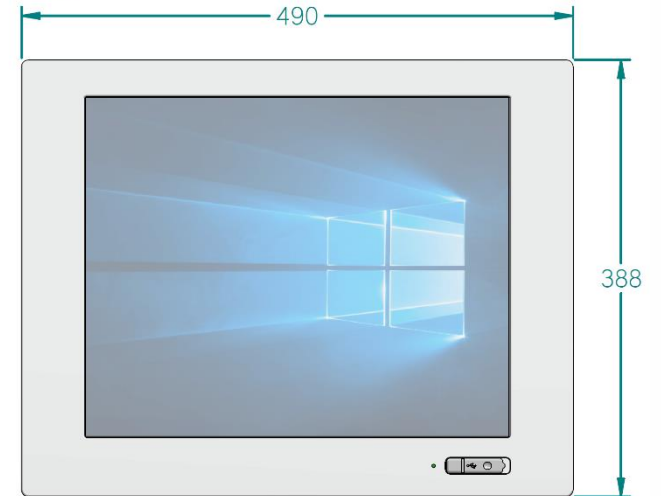
15"



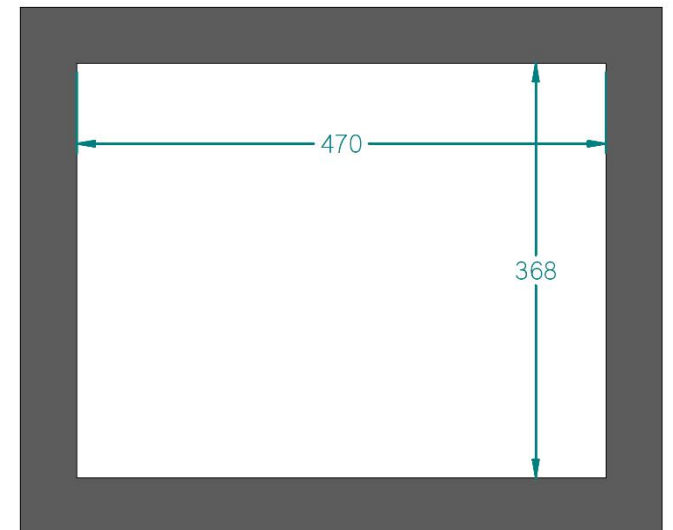
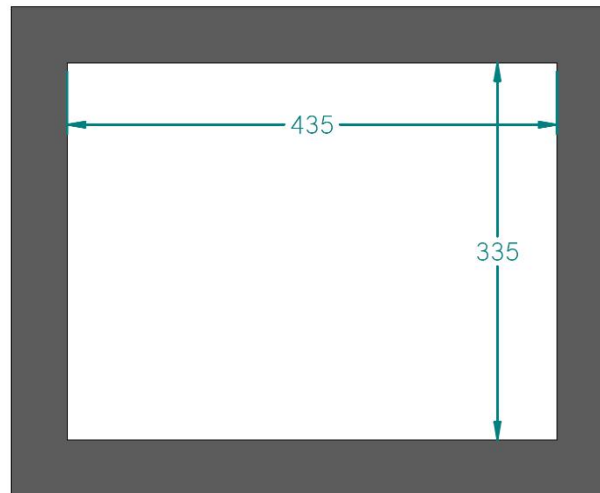
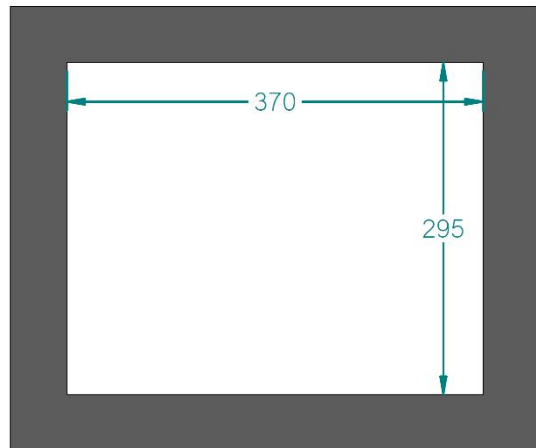
17"



19"



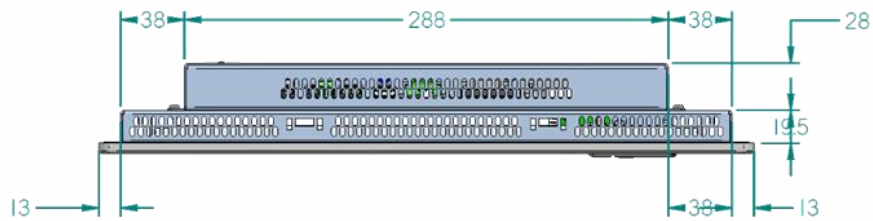
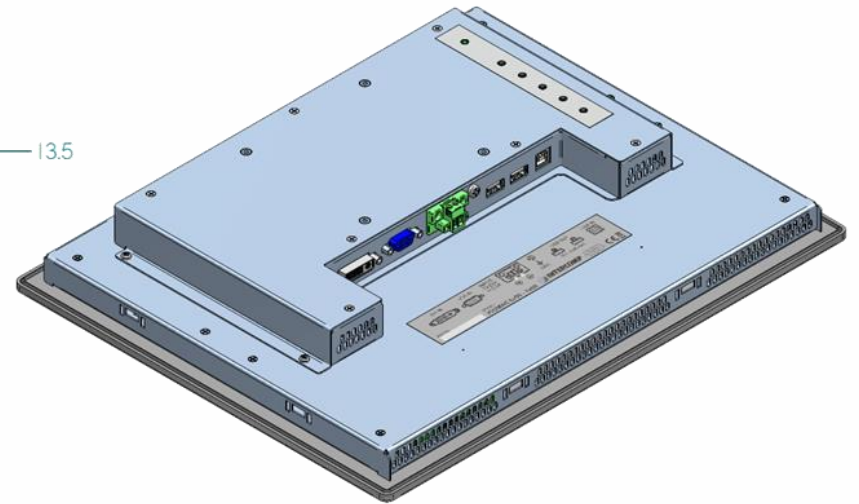
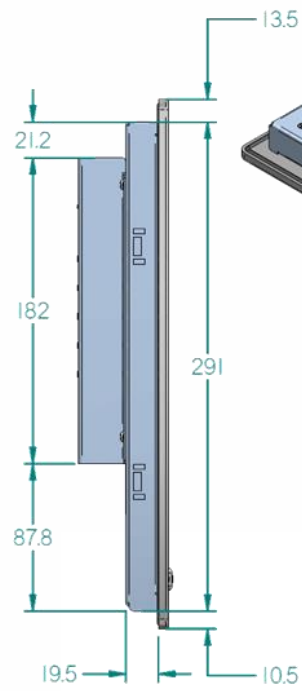
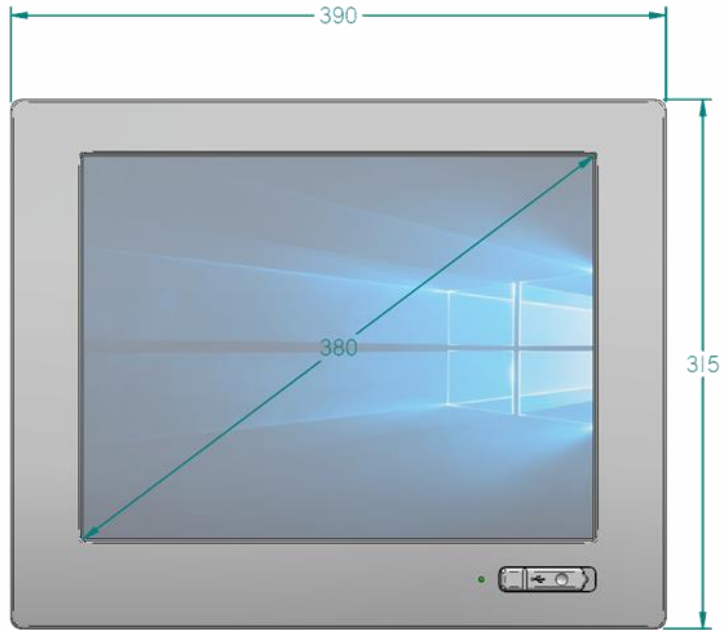
### Required panel hole



All dimensions are expressed in millimeters (mm)

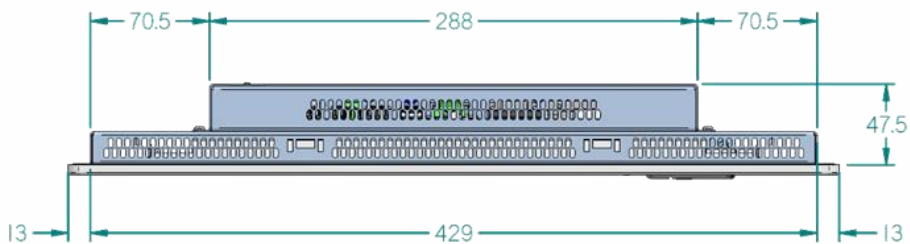
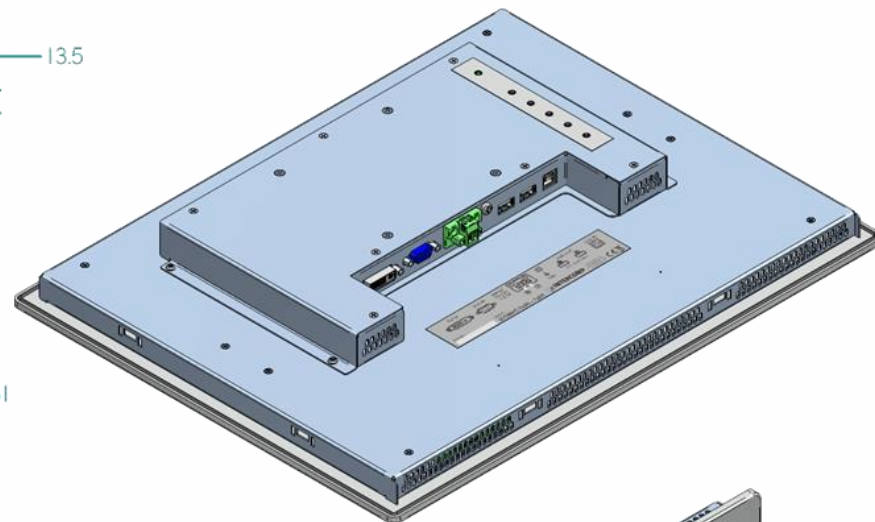
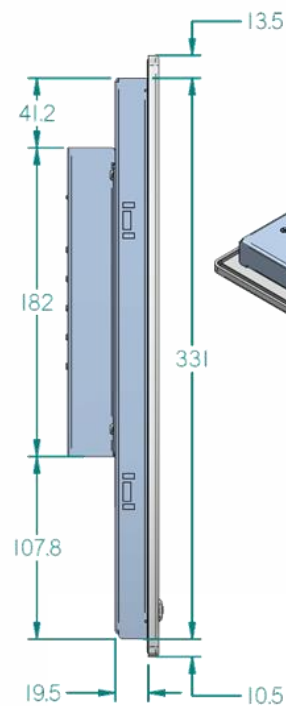
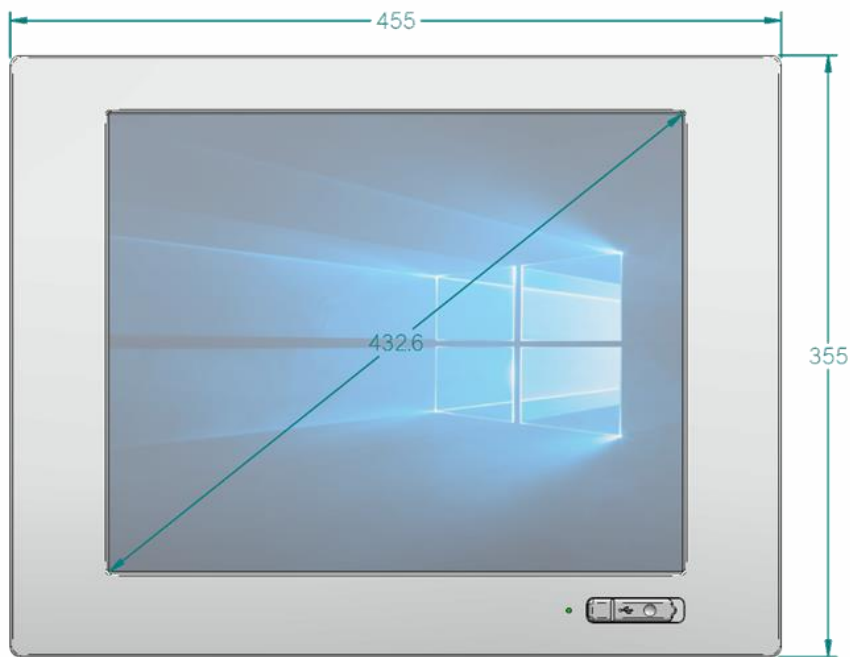


## Dimensions for 15" model



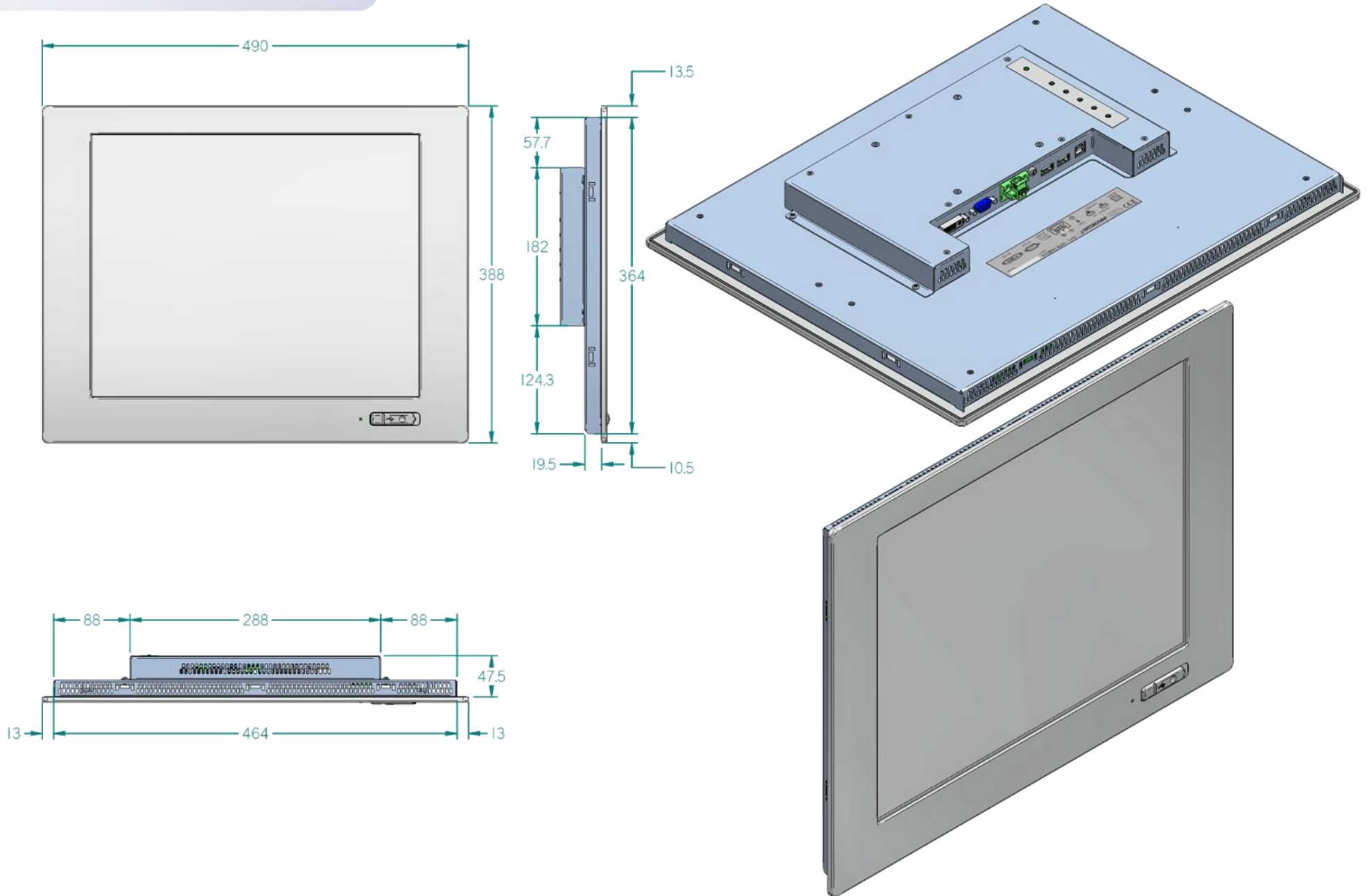


### Dimensions for 17" model





## Dimensions for 19" model



All dimensions are expressed in millimeters (mm)