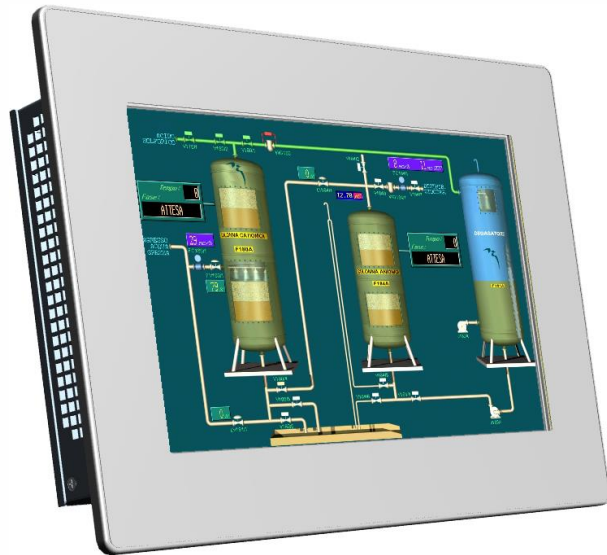






# iCOMAC5110

Panel PC for industrial environment



- ✓ Chassis designed for industrial environments
- ✓ Front panel with IP65 protection rating
- ✓ Fanless cooling system
- ✓ No acoustic impact, 0dBA emissions
- ✓ Solid state storage
- ✓ High availability of I/O ports: COM, Gb LAN, USB 2.0/3.0...
- ✓ Combined performance computing and low power requirement thanks to Intel® Bay Trail processors
- ✓ Wide range input voltage

	<b>NON STOP</b> 24/7	<b>LCD</b> 10.1" LED	<b>Front</b> IP65	 0~60°C	<b>WIDE POWER</b> DC-IN 9~36V	<b>RESISTIVE</b> TOUCH	<b>Dual</b> display support
 Bay Trail	<b>COM</b> RS232/422/ 485	 2 x Gb LAN	<b>WATCHDOG</b> 1-255s	<b>0dB</b> Emission	<b>Fanless</b>	<b>RoHS</b>	<b>CE</b>



## Computing unit features

<b>System</b>	<b>Processor</b>	Intel® Celeron® Processor J1900 4 Core, 4 Thread, 2M Cache, up to 2.42 GHz	
	<b>Internal expansion slots</b>	1 x Mini PCIe (half/full size, signals: PCIe, mSATA*) 1 x mSATA (half size, signals: mSATA*) *shared	
<b>Memory</b>	<b>Max expansion</b>	8GB	
	<b>Type</b>	DDR3L 1600/1333MHz	
	<b>Slot</b>	1	
<b>Back I/O interfaces</b>	<b>Serial</b>	1 x RS232/422/485	
	<b>USB</b>	2 x USB 3.0/2.0/1.1 2 x USB 2.0/1.1	
	<b>LAN</b>	2 x RJ45	
	<b>Video</b>	1 x HDMI 1 x VGA	
	<b>Audio</b>	1 x Jack 3.5mm (Line-Out)	
	<b>Power</b>	1 x DC-IN (Phoenix 2P 5.08)	
	<b>Button</b>	1 x Power switch with power led 1 x Remote power switch connector	
	<b>Ground</b>	1 x M4 Ground connector	
	<b>Storage</b>	<b>Storage bay SSD</b>	1 x mSATA SSD half/full size 1 x HDD/SSD 2.5"
		<b>Controller</b>	SATA 2 3.0Gb/s
<b>Integrated graphics adapter</b>		Intel® HD Graphics	
<b>Graphics subsystem</b>	<b>Supported features</b>	DirectX 11, OpenGL 3.2	
	<b>Resolution</b>	HDMI 1.4a : up to 1920x1200 VGA 1.4a : up to 1920x1200	
	<b>Multi Display</b>	Up to 2 (internal + external)	
<b>Management</b>	<b>Watchdog timer</b>	Software programmable from 1 to 255sec/min	
	<b>Wake On Events</b>	WOL (Wake On Lan) Wake by RTC (Wake by date/time)	
<b>Network subsystem</b>	<b>Integrated LAN adapter</b>	2 x RTL8111G-CG Gigabit Ethernet controller	
<b>Power supply</b>	<b>Input voltage</b>	Wide range : From 9V DC to 36V DC (Optional external AC power adapter)	
	<b>Power consumption</b>	Average 19W @ 75% stress (only processing unit)	
<b>Software</b>	<b>Supported operating system</b>	Windows 10 / 10 IoT Ent. 64bit	

## Display and touchscreen features

<b>10.1"</b>	<b>Panel type</b>	a-Si TFT active matrix LCD
	<b>Size</b>	10.1"
	<b>Aspect Ratio</b>	16:10
	<b>Pixel HxV</b>	1280 x 800
	<b>Pixel Pitch</b>	0.1695x0.1695mm
	<b>Color</b>	16.2M
	<b>Contrast ratio</b>	800:1
	<b>Brightness</b>	500 cd/m <sup>2</sup>
	<b>Response time</b>	11ms
	<b>Viewing angle</b>	Horizontal 170° - Vertical 170°
<b>Touchscreen</b>	<b>Power consumption</b>	6W (only display & touch unit)
	<b>Type</b>	Resistive 5 wires
	<b>Interface</b>	USB



**Intercomp S.p.A.**  
Via della Scienza 27, 37139, Verona, Italia  
Tel +39 045-8378411 Fax +39 045-8510539  
www.intercomp.it intercomp@intercomp.it

The product may differ from the images shown. All registered names and trademarks are legitimate owners. All features and specifications can be changed without prior notice.  
Last update 15/06/2021



## Ordering code

Ordering code	Standard Display size	Standard Front panel type	Standard Computing unit	Standard Power Supply	Standard Gb LAN	Standard COM	Standard USB
<b>CNICOMAC510010ARJ-00</b>	10.1"	Anodised aluminum	Intel® Celeron® J1900	9-36V DC	2	1	4

## Common features

<b>Mechanical</b>	<b>Fixing method</b>	Panel mount
	<b>Dimensions</b>	See next pages
<b>Environment</b>	<b>Operating temp.</b>	From 0°C to +60°C
	<b>Non operating temp.</b>	From -10°C to +60°C
	<b>Relative humidity</b>	From 20% to 90% Not condensed
	<b>IP Grade</b>	Front IP65
<b>Certifications</b>	<b>Reference marks</b>	CE, RoHS
	<b>Directive</b>	Built according to European Directive 2014/30/EU (EMCD), 2011/65/EU (RoHS)
<b>Company</b>	<b>Reference standard</b>	UNI EN ISO 9001

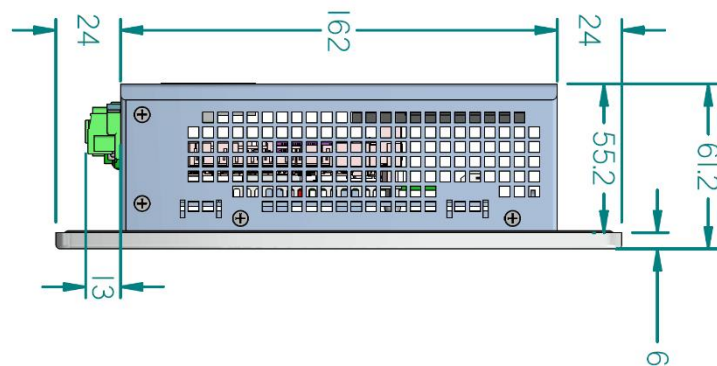
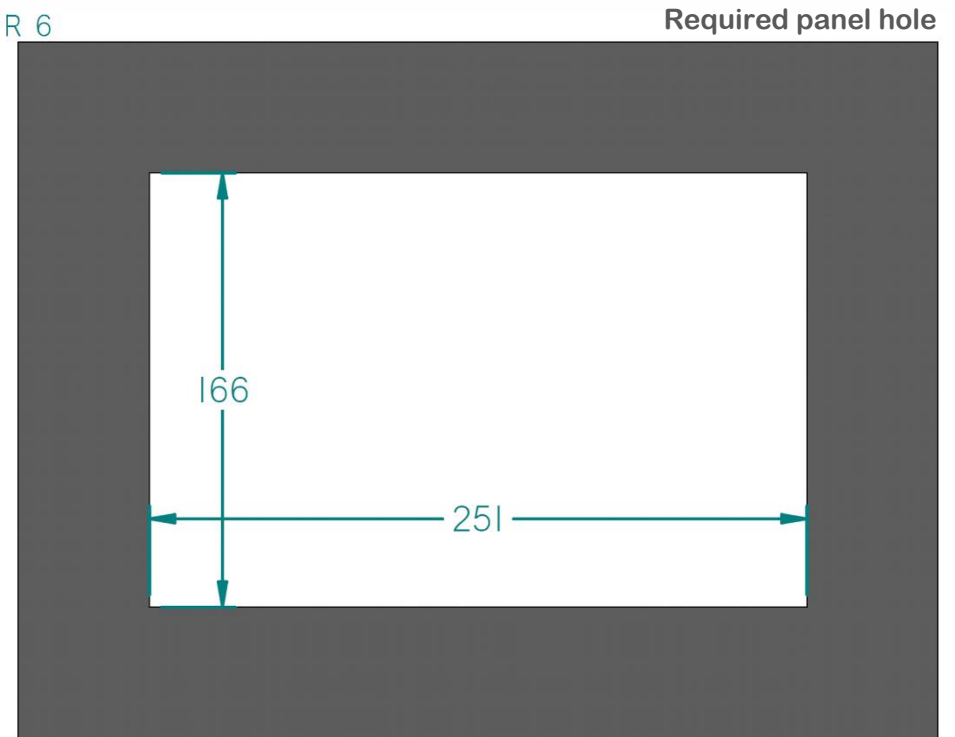
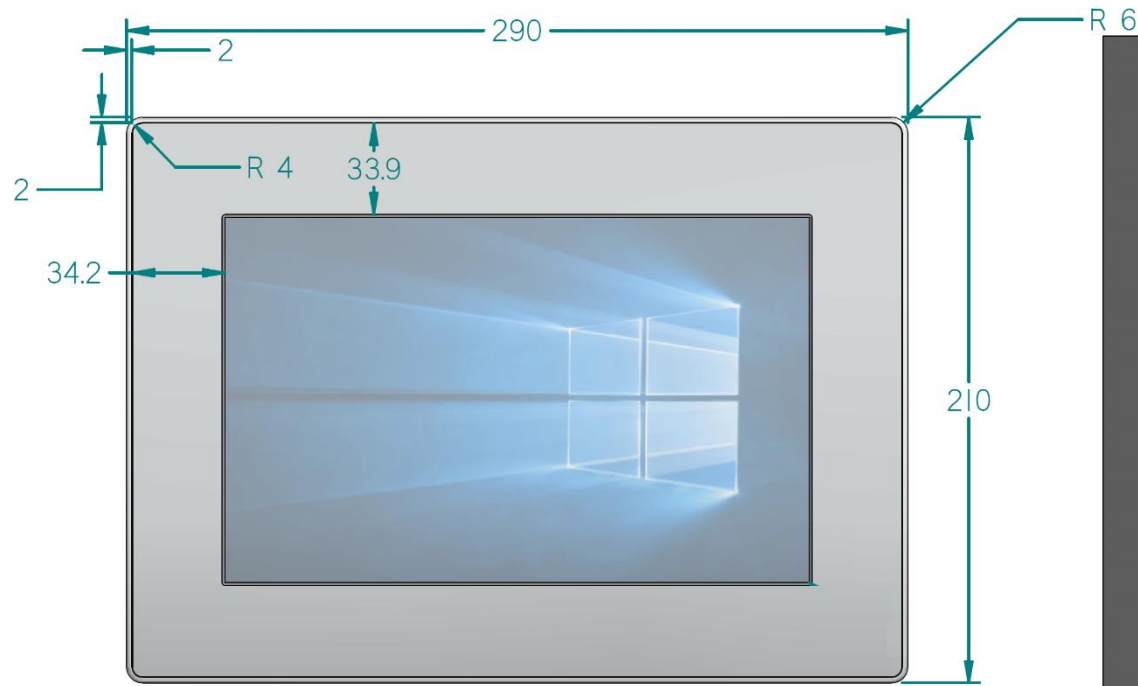
Doc. ref. ZST-4292-00000010-02



**Intercomp S.p.A.**

Via della Scienza 27, 37139, Verona, Italia  
Tel +39 045-8378411 Fax +39 045-8510539  
www.intercomp.it intercomp@intercomp.it

The product may differ from the images shown. All registered names and trademarks are legitimate owners. All features and specifications can be changed without prior notice.  
Last update 15/06/2021



All dimensions are expressed in millimeters (mm)