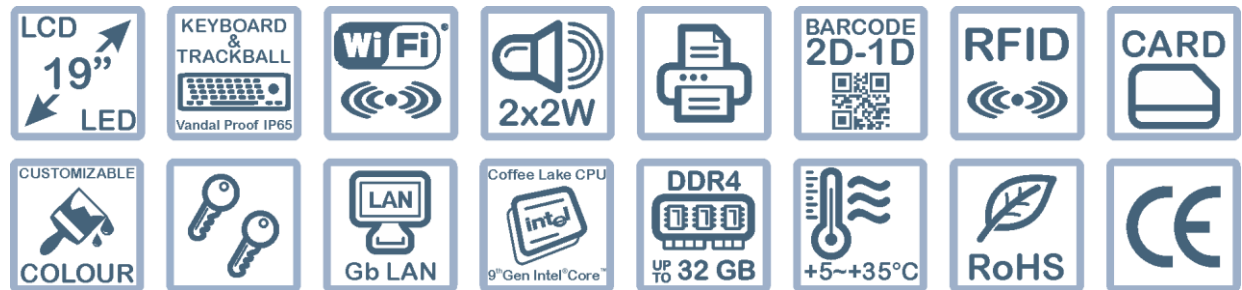


## Torino190

Digital Signage indoor kiosk



- ✓ Large 19" LCD display with LED backlight
- ✓ touchscreen
- ✓ Solid painted steel structure
- ✓ A4 Laser printer
- ✓ Vandal proof keyboard
- ✓ Integrated speakers
- ✓ LAN & WiFi connectivity
- ✓ High processing capacity thanks to Intel® Core™ processors





## Technical specifications

<b>System</b>	<b>Processor</b>	Socket LGA 1151 Intel® Core™ 9 <sup>th</sup> & 8 <sup>th</sup> gen. Intel® Core™ i9/Core™ i7/Core™ i5/Core™ i3/Pentium TDP max. 65W	
	<b>Chipset</b>	Intel® H370 Express Chipset	
	<b>BIOS</b>	1 x 128 Mbit AMI UEFI BIOS PnP 1.0a, DMI 2.7, WfM 2.0, SM BIOS 2.7, ACPI 5.0	
	<b>Expansion slots</b>	1 x PCI Express 3.0 x16 low profile / half size 1 x M.2 Socket 1 Intel® CNVi or PCIe (M.2_WIFI)	
	<b>Memoria</b>	<b>Max exp.</b> 32GB	
	<b>Type</b>	2 x DDR4- 2666/2400/2133 UDIMM 288pin 4GB, 8GB, 16GB	
	<b>Slots</b>	2 (Dual channel memory architecture)	
<b>Internal I/O interface*</b>	<b>Note</b>	*Some I/O interfaces are used by the internal devices	
	<b>Serial</b>	1 x RS232 optional	
	<b>LPT</b>	N/A	
	<b>USB</b>	4 x USB 2.0 / 1.1 ports 2 x USB 3.1 Gen.1 ports	
	<b>Mouse/keyboard</b>	2 x PS/2	
	<b>Audio</b>	3 x Jack 3.5mm (Line In, Line Out, Mic In)	
	<b>Video</b>	1 x VGA DB15 1 x DVI-D 1 x HDMI	
	<b>External I/O interface</b>	<b>LAN</b> 1 x RJ45	
	<b>Storage</b>	<b>Integrated SATA ctrl</b>	4 x SATA 3 6Gb/s 1 x M.2 Socket 3, M key, 2260/2280 (SATA & PCIe x4/x2)
		<b>HDD/SSD bay</b>	1 x 2.5"
<b>Video subsystem</b>	<b>Integrated video adapter</b>	Intel® HD Graphics Features depend on installed CPU	
	<b>LCD Display</b>	19.0" TFT-LCD	
	<b>Color</b>	16.7M	
	<b>Viewing angle</b>	H: 176° V: 170° (CR=5)	
	<b>Response time</b>	5ms	
	<b>Brightness</b>	250 cd/m <sup>2</sup>	
	<b>Contrast</b>	1000:1	
	<b>Reccomended res.</b>	1280x1024	
	<b>Touchscreen</b>	See ordering code for available option	
<b>Audio subsystem</b>	<b>Integrated audio adapter</b>	2/4/5.1/7.1 High Definition Audio (Codec Realtek® ALC887)	
	<b>Speaker</b>	2 x 2W	
<b>Printer</b>	<b>Standard config.</b>	A4 B/W Laser printer Paper feeder: Holds up to 250 sheets of 80g/m <sup>2</sup> paper	
	<b>2<sup>nd</sup> paper feeder</b>	Optional: Holds up to 550 sheets of 80g/m <sup>2</sup> paper	

<b>Network interface</b>	<b>Integrated network adapter</b>	1 x 10/100/1000 Realtek® GbE LAN
	<b>WiFi (optional)</b>	1 x Wireless High Gain N 150Mbps USB IEEE 802.11n, IEEE 802.11g, IEEE 802.11b
<b>Power Software</b>	<b>Power</b>	AC INPUT 230V, 4A, 50Hz
	Supported operating system	Microsoft Windows 10 64bit
<b>Machanical features</b>	<b>Colour</b>	Standard: Gray metallic wrinkled (66024 IN) Optional: Different colors on request, subject to availability and minimum purchase quantity is required.
	<b>L x H x D</b>	510mm x 1470mm x 510mm (without keyboard) 510mm x 1470mm x 667mm (with keyboard)
	<b>Weight</b>	Estimated 65Kg for medium configuration
<b>Environment</b>	<b>Operating temp</b>	From + 5°C to + 35°C
	<b>Non operating temp.</b>	From -10°C to +60°C
	<b>RH</b>	95% @ 30°C non cond.
<b>Certifications</b>	<b>Reference Marks</b>	CE, RoHS
	<b>Directive</b>	Built according to EU Directive 2014/53/UE (RED) & 2011/65/EU(RoHS)
<b>Company cert.</b>	<b>Reference std.</b>	UNI EN ISO 9001
	<b>Doc. code</b>	ZST-4292-00000020-02



Scan me





**Intercomp S.p.A.**  
Via della Scienza 27, 37139, Verona, Italia  
Tel +39 045-8378411 Fax +39 045-8510539  
[www.intercomp.it](http://www.intercomp.it) [intercomp@intercomp.it](mailto:intercomp@intercomp.it)

The product may differ from the images shown. All registered names and trademarks are legitimate owners. All features and specifications can be changed without prior notice.  
Last update 29/09/2021



## Ordering code

<b>Totem Torino194</b>	<b>Ordering code</b>	<b>CNTOTEM19P-N-16-02</b>
	<b>Features</b>	Base configuration* + EKIT-17-000006A-00 Single touch touchscreen included Color : Gray metallic wrinkled (66024 IN) *See previous page for detailed information.
<b>Choice notice</b>	→	<b>One of the following LCD kits must be chosen</b>
<b>LCD &amp; Touch opt1</b>	<b>Ordering code</b>	<b>EKIT-17-000006A-00</b> (default installed in base config.)
	<b>Features</b>	Standard LCD panel : 19" (see previous pages) Touchscreen : SAW 1 touch touchscreen Protection glass : Yes
<b>LCD &amp; Touch opt2</b>	<b>Ordering code</b>	<b>EKIT-17-000007A-00*</b>
	<b>Features</b>	Standard LCD panel : 19" (see previous pages) Touchscreen : IR 4 touch touchscreen Protection glass : Yes
<b>LCD w/o Touch Opt3</b>	<b>Ordering code</b>	<b>EKIT-17-000005A-00*</b>
	<b>Features</b>	Standard LCD panel : 19" (see previous pages) Touchscreen : NO Protection glass : Yes
<b>WiFi</b>	<b>Ordering code</b>	<b>EKIT-IND-WIFI-005A*</b>
	<b>Features</b>	USB Wireless N 150Mbps High Gain 2.4GHz Standard : IEEE 802.11b/g/n 11b/g/n: Up to 11/54/150Mbps(dynamic)
<b>Choice notice</b>	→	<b>Only one of the following card reader kits can be chosen</b>
<b>Card Reader Opt1</b>	<b>Ordering code</b>	<b>EKIT-TOTEM-ACC-0005A*</b>
	<b>Features</b>	Motor hybrid Card Reader, EMV certified, IC/RFID card read/write, Mag card read only, ISO7816-2, ISO7810 ID-1,7811/1,2,3,4,5 and 6, ISO/14443
<b>Card Reader Opt2</b>	<b>Ordering code</b>	<b>EKIT-TOTEM-ACC-0005B*</b>
	<b>Features</b>	Manual Card Reader, IC card read/write, Mag card read only, ISO/IEC 7811 JIS X6301/6302, Tr.1/2/3, ISO/IEC 7816 JIS X6303, EMV Ver.4.0 Approved
<b>Card Reader Opt3</b>	<b>Ordering code</b>	<b>EKIT-TOTEM-ACC-0004A*</b>
	<b>Features</b>	125KHz Rfid card reader
<b>Printer</b>	<b>Ordering code</b>	<b>EKIT-TOTEM-ACC-0013B*</b>
	<b>Features</b>	2 <sup>nd</sup> paper feeder, holds up to 550 sheets of 80g/m <sup>2</sup> paper

<b>Choice notice</b>	→	<b>Only one of the following keyboard kits can be chosen</b>
<b>Keyboard Opt1</b>	<b>Ordering code</b>	<b>EKIT-TOTEM-ACC-0011*</b>
	<b>Features</b>	Kiosk keyboard kit : 66 keys, Trackball + 3 mouse button, IP65, vandal proof, IT layout, w/o ctrl-alt-del keys
<b>Keyboard Opt2</b>	<b>Ordering code</b>	<b>EKIT-TOTEM-ACC-0012*</b>
	<b>Features</b>	Kiosk keyboard kit : 66 keys, Trackball + 3 mouse button, IP65, vandal proof, IT layout, with ctrl-alt-del keys
<b>Choice notice</b>	→	<b>The barcode kit can be chosen in combination with keyboard kit</b>
<b>BCR reader</b>	<b>Ordering code</b>	<b>EKIT-TOTEM-ACC-0017A*</b>
	<b>Features</b>	Shelf kit with BCR 1D/2D reader (w/o keyboard) Compatible with most 1D & 2D barcode USB interface
<b>Choice notice</b>	→	<b>The shelf kit can not be chosen in combination with keyboard or barcode kit</b>
<b>Shelf</b>	<b>Ordering code</b>	<b>EKIT-TOTEM-ACC-0014*</b>
	<b>Features</b>	Shelf kit (w/o keyboard, w/o barcode reader)

\* Intended as optional kit





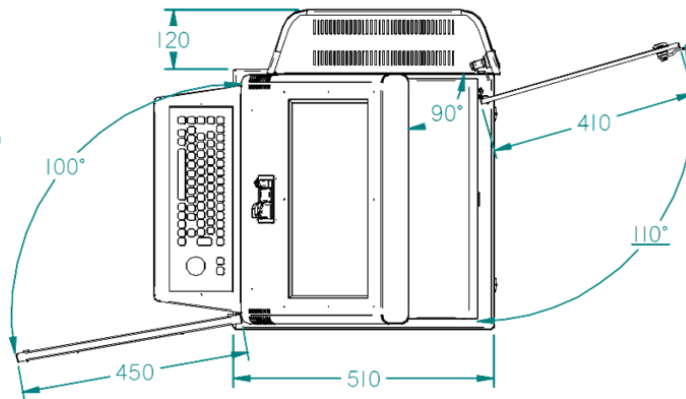
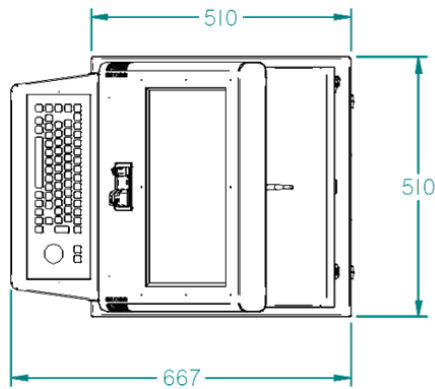
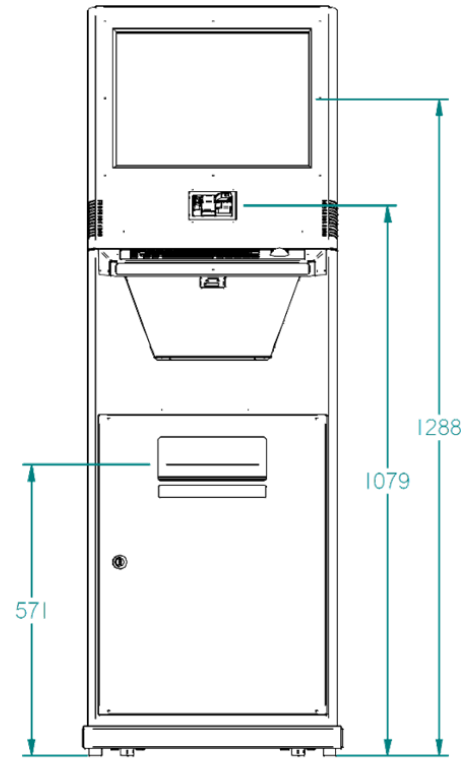
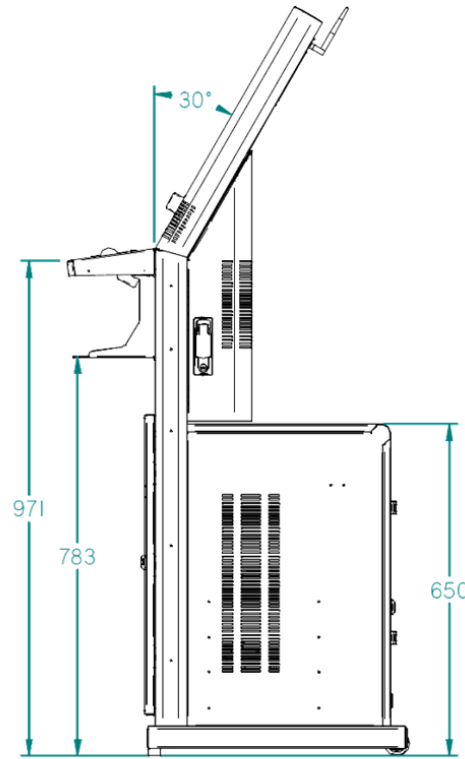
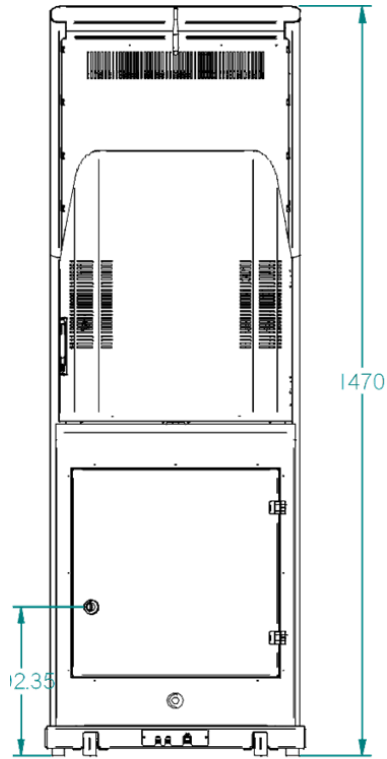
**Intercomp S.p.A.**  
Via della Scienza 27, 37139, Verona, Italia  
Tel +39 045-8378411 Fax +39 045-8510539  
www.intercomp.it intercomp@intercomp.it

Scan me

The product may differ from the images shown. All registered names and trademarks are legitimate owners. All features and specifications can be changed without prior notice.  
Last update 29/09/2021



## Mechanical specifications



All dimensions are expressed in millimeters (mm)



Scan me



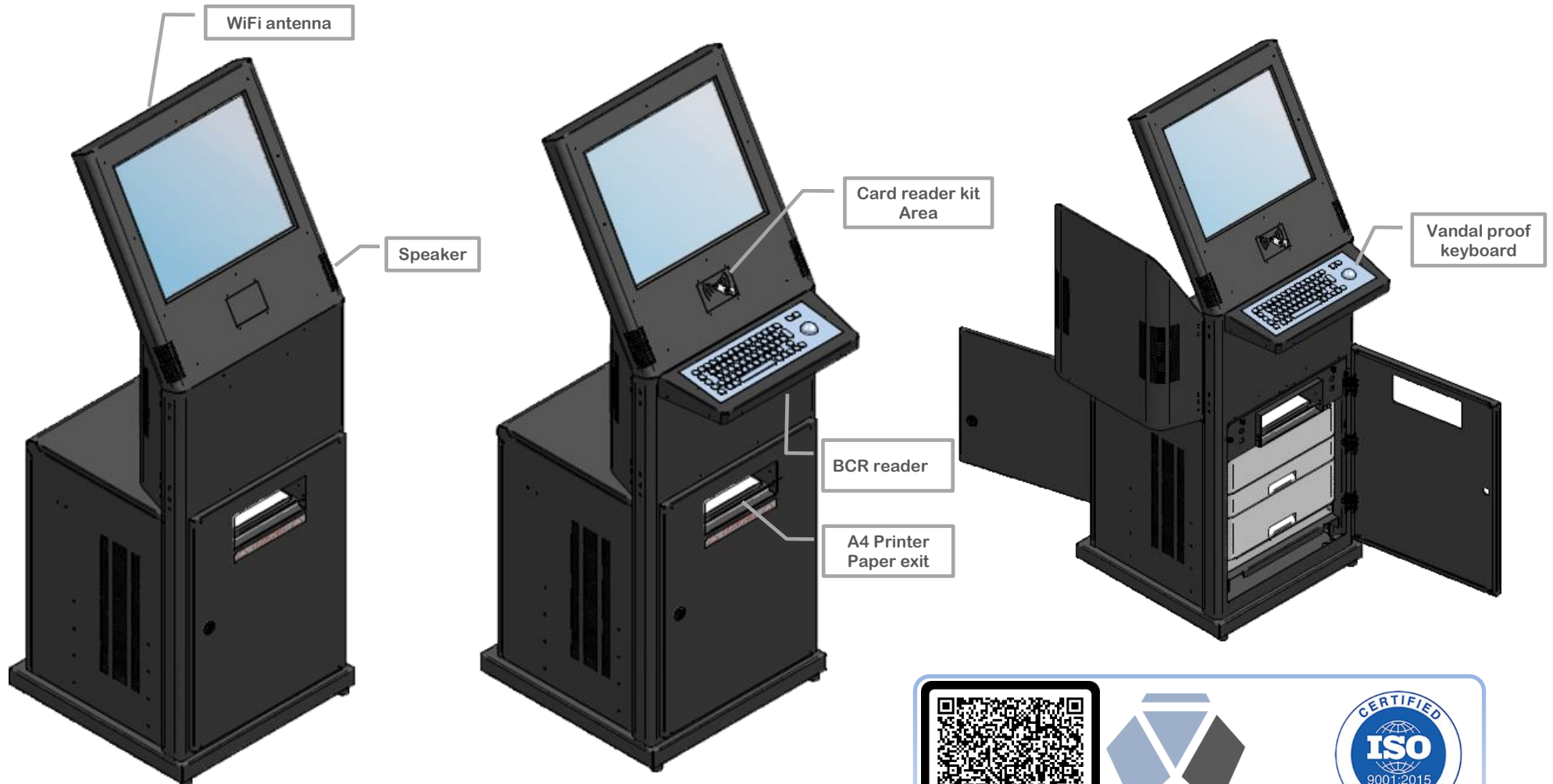
**Intercomp S.p.A.**  
 Via della Scienza 27, 37139, Verona, Italia  
 Tel +39 045-8378411 Fax +39 045-8510539  
[www.intercomp.it](http://www.intercomp.it) [intercomp@intercomp.it](mailto:intercomp@intercomp.it)

The product may differ from the images shown. All registered names and trademarks are legitimate owners. All features and specifications can be changed without prior notice.  
 Last update 29/09/2021





## Product overview



Scan me



**Intercomp S.p.A.**  
Via della Scienza 27, 37139, Verona, Italia  
Tel +39 045-8378411 Fax +39 045-8510539  
[www.intercomp.it](http://www.intercomp.it) [intercomp@intercomp.it](mailto:intercomp@intercomp.it)



The product may differ from the images shown. All registered names and trademarks are legitimate owners. All features and specifications can be changed without prior notice.  
Last update 29/09/2021