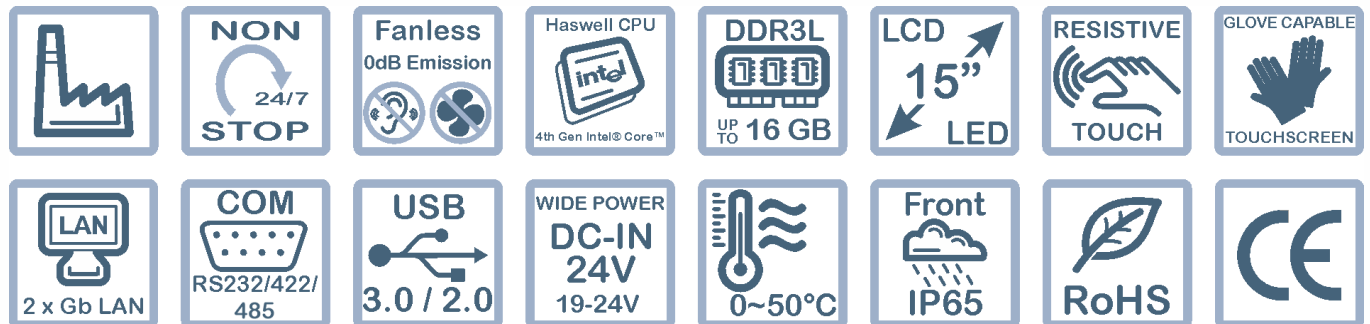


iCOMAC 85F

Industrial fanless panel pc



- ✓ Special chassis for industrial environments
- ✓ Fanless cooling system & zero sound emission
- ✓ Customized panel mount or VESA mount
- ✓ 15" lcd touchscreen with LED backlight
- ✓ Guaranteed for continuous operation H24, 7 days 7
- ✓ High I/O availability: RS232/422/485, Gb LAN, USB 2.0/3.0...
- ✓ High processing capacity by Intel® Core™ local processors
- ✓ Wide range DC 19-24V power supply





Technical specifications

System	Processor	Intel® Core™ i5-4300U Processor (2 Core, 4 Thread, 3M Cache, up to 2.90 GHz)
	Internal Expansion slot	1 x Mini PCIe (full size supports USB, PCIe, mSATA) 1 x Mini PCIe (half size supports USB, PCIe) 1 x PCIe x1 (full height – half length)
Memory	Max	16GB
	Type	DDR3L 1600/1333MHz DRAM device technologies: 1Gb, 2Gb and 4Gb DDR3L DRAM technologies are supported for x8 and x16 devices, unbuffered, non-ECC
	Slot	2 (dual channel)
I/O interface back	Serial	1 x RS232/422/485 (RS232 and/or power) (optional)
	USB	4 x USB 3.0/2.0/1.1 3 x USB 2.0/1.1
	LAN	2 x RJ45
	Video	1 x HDMI 1 x DP
	Audio	2 x Jack 3.5mm (Line-Out / Mic-In)
	Digital I/O	12P Phoenix connector: 3 x Opto isolated inputs (24V DC) 5 x Opto isolated output (max 400mA per pin) 2 x External 24V PSU connection (24V DC & GND) 2 x Custom key enable/disable pin
	Power Supply Button	1 x DC-IN (Phoenix 3P) 1 x Power switch with power led
	I/O interface Front	Led 1 x Power led 1 x HDD/SSD led
Storage	USB	1 x USB 2.0/1.1
	Custom key	3 x customizable keys (keyboard emulation)
	Storage bay HDD/SSD	1 x HDD/SSD SATA 2.5" removable 1 x mSATA SSD
Graphics Subsystem	Controller	3 x SATA 3 6.0Gb/s
	Integrated Graphics adapter	Intel® HD Graphics GT series Supports DirectX 11.1, OpenGL 4.0, OpenCL 1.2 HDMI: resolution up to 4096x2304 @ 24Hz or 2560x1600 @ 60Hz DP: supports DP++, resolution up to 3200x2000 @ 60Hz
Display	Panel type:	TFT-LCD (backlight LED)
	Display	Diagonal: 15.0" Color: max 16.2M Pixel: 0.297x0.297mm Aspect ratio: 4:3 Pixel OxV: 1024 x 768 Brightness: 400 cd/m ² Contrast ratio: 700:1 Response time: 5ms Viewing angle OxV: 160°/140°
Contemporary active displays		Max 2

Touchscreen	Features	Technology: Resistive 5 wire Glove capable: Yes Interface: USB
	Audio Subsystem Management	Integrated audio High Definition Audio (Codec Realtek ALC888) Watchdog timer Software programmable from 1 to 255s Wake On Event WOL (Wake On Lan) Wake by RTC (Real Time Clock) AC power failure recovery
Network Subsystem	Integrated network apapter	Intel® I210 PCI Express Gigabit Ethernet controller Intel® I218 with iAMT9.5 Gigabit Ethernet Phy Integrated 10/100/1000 transceiver Fully compliant with IEEE 802.3, 802.3u, 802.3ab
	Power supply	Input voltage 24V DC Tolerance 19-24V DC Optionale AC adapter AC Input: 100-240V, 1.5A, 50-60Hz DC Output:24V 2.5A Power consumption Approximately 45W @ 75% stress
Mechanical characteristics	Mount	Panel with custom holes 438.4 x 289 mm Max panel thickness 6.7mm
	W x H x D	474.4 x 325 x 86 mm
	Weight	5 Kg middleweight
Environment	Operating temp.	0°C ~ +50°C with SSD / +5°C ~ +45°C with HDD
	Non operating temp.	-10°C ~ +65°C
	Relative humidity	20% ~ 90% non-condensing
	IP rating	Front IP65
Software	Supported operating system	Windows 10 IoT Ent. 64bit
Certifications	Marking	CE, RoHS
	Directive	Built according to European Directive 2014/30/EU (EMCD), 2014/35/EU (LVD) and 2011/65/EU (RoHS)
Company	Reference standard	UNI EN ISO 9001
Ordering code	CNICOMAC85F-17-01A	iCOMAC 85F, Front. RAL7035, LCD 15", i5-4300U,19-24V, 2*Gb LAN, Touch, Fanless, DIO

Doc. ref. ZST-4292-00000132-01



Scan me

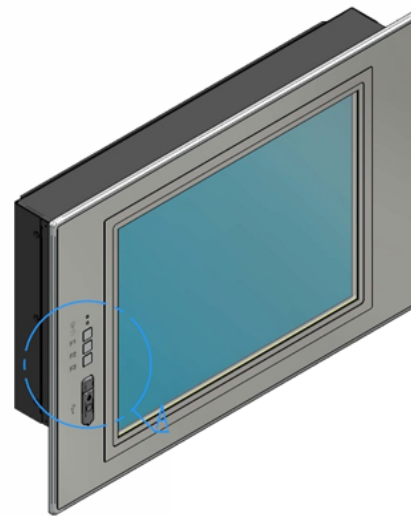
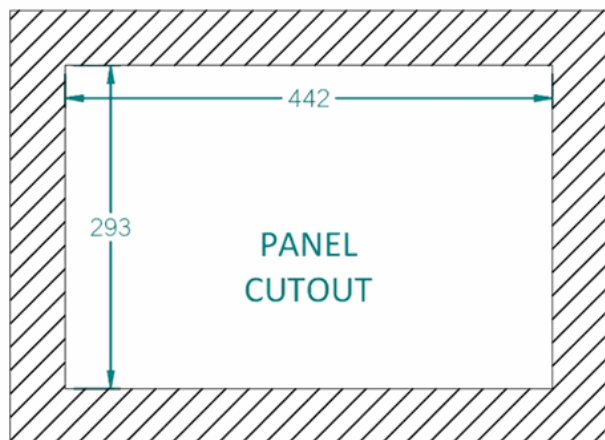
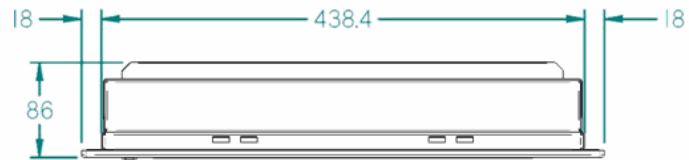
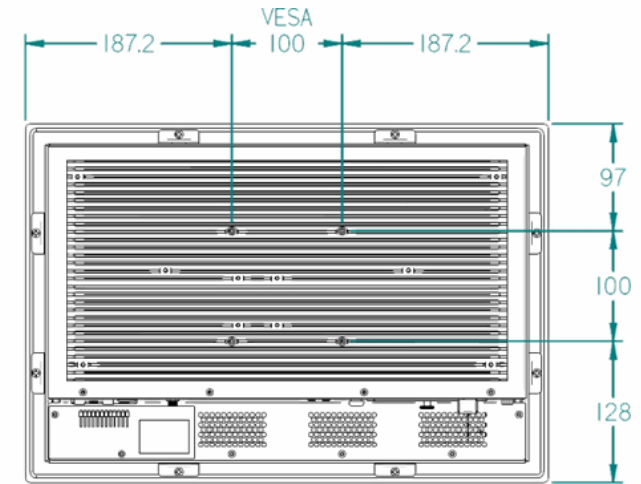
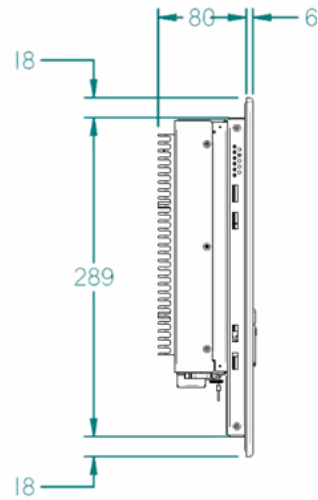
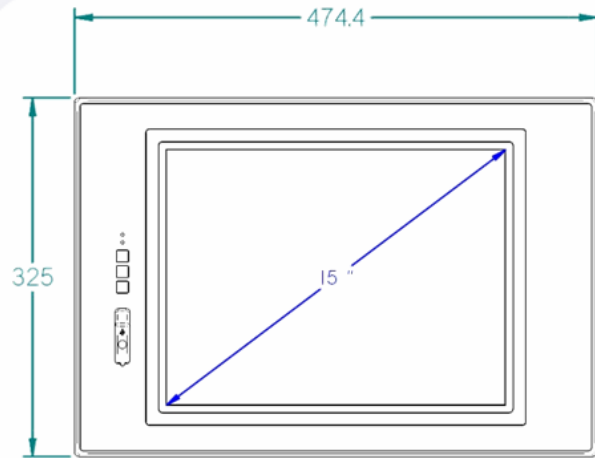


Intercomp S.p.A.
Via della Scienza 27, 37139, Verona, Italia
Tel +39 045-8378411 Fax +39 045-8510539
www.intercomp.it intercomp@intercomp.it

The product may differ from the images shown. All registered names and trademarks are legitimate owners. All features and specifications can be changed without prior notice.
Last update 28/09/2021



Mechanical features



A

All dimensions are expressed in millimeters (mm)