

EIDOS & AIO Touch

Computerized cart for healthcare



- ✓ Designed for intensive use in the healthcare environment
- ✓ Easily cleanable glass display surface
- ✓ Agile even in the presence of small drops on the floor thanks to the large antistatic wheels
- ✓ Easy handling allowed from the large ergonomic handle
- ✓ High autonomy without the need to recharge batteries
- ✓ High computing capacity at the top thanks to the Intel® 9th Core™ processors
- ✓ Large LCD LED 21.5" Full-HD with adjustable tilt
- ✓ 10 touches capacitive touch screen, can also be used with latex gloves
- ✓ No need for charging stations, battery charger and charge indicator are integrated into the cart





Computing unit technical specifications



System	Processor	Socket LGA 1151 Intel® Core™ 9 th /8 th gen. Intel® Core™ i7 / i5 / i3 / Pentium, TDP up to 65W
	Chipset	Intel® H310 Express Chipset
	BIOS	128 Mb Flash ROM, UEFI AMI BIOS, PnP, DMI 3.0, WfM 2.0, SM BIOS 3.1, ACPI 6.1
	Expansion slot	1 x M.2 M key, 2280/2260 storage (SATA & PCIe x2 mode) 1 x M.2 E key, 2230 Wi-Fi/BT (PCIe, CNVi/USB mode)
Memory	Max exp.	32GB
	Type	DDR4 2666/2400/2133 SO-DIMM 4GB, 8GB, 16GB
	Slot	2
Side I/O interfaces	Audio	2 x Jack 3.5mm headphone/microphone
Back I/O interfaces	USB	2 x USB 2.0
	USB	2 x USB 3.1 Gen1 2 x USB 2.0
	Audio	2 x Jack 3.5mm
	LAN	1 x RJ45
Storage	Video	1 x DP (Display Port) 1 x HDMI
	Integrated SATA controller	1 x M.2 (Socket 3, M key, 2280/2260 SATA & PCIe x2 SSD) 2 x SATA3 6Gb/s
	Card Reader	6 in 1 Card Reader SD/XD/MMC
	HDD/SSD bay	1 x HDD/SSD SATA 2.5"
	ODD bay	1 x Slim DVD +R+RW-R-RW
Video subsystem	Integrated graphic adapter	Intel® HD Graphics (depends on installed CPU) Max shared memory : 1024MB
	Integrated LCD display	21.5" TFT LCD – Led Backlight Full HD 16:9 1920x1080
	Max resolution (external ports)	HDMI : 4096 x 2160 @ 24 Hz DP : 4096 x 2304 @ 60 Hz
	Contemporary active display	Max 2 (1 internal, 1 external)
	Touchscreen	Touchscreen with projected capacitive technology, up to 10 touch points, USB interface, thin glove capable (ask for more information about glove compatibility)
Multimedia	Webcam	Integrated in the front frame, 1.3Mpx
Audio subsystem	Microphone	Integrated in the front frame
	Integrated audio adapter	Realtek® ALC887 7.1-Channel High Definition Audio
Network subsystem	Speaker	2 x 5W (integrated on the back)
	Integrated network adapter	1 x 10/100/1000 Realtek® RTL8111H GbE LAN
Software	WiFi & BT	Dual Band Wireless 802.11ac, Bluetooth 4.x
	Supported operating system	Microsoft Windows 10 64bit
Ref. code	CNPCAIOEVO-H310T-x2x	PC "Evo310" All-In-One 22", TOUCH, Intel H310, GB Lan, WIFI+BT, USB 3.0
	Doc. Ref.	ZST-4292-00000046-00



Scan me



Intercomp S.p.A.

Via della Scienza 27, 37139, Verona, Italia
Tel +39 045-8378411 Fax +39 045-8510539
www.intercomp.it intercomp@intercomp.it

The product may differ from the images shown. All registered names and trademarks are legitimate owners. All features and specifications can be changed without prior notice.
Last update 23/04/2020



Cart technical specifications & ordering code

EIDOS	Description	Computerized cart with battery power for use in healthcare environments.	
	Shelves	sliding shelf designed to accommodate a keyboard and mouse. (Depending on the configuration considered, the keyboard and mouse might be considered optional accessories)	
	Wheels	Front: 125mm, antistatic Rear: 125mm, antistatic, parking brake	
	Handling	Front ergonomic handle	
	AIO tilt	From 11° to 48° (see next page)	
	Power subsystem	Output voltage	19V DC
		Max erogated power	5.2A @19V DC Up to 24 hours *
		Maximum autonomy	*estimated lifetime with the use of 100Ah battery in perfect working condition and 100% charge, used in combined with an AIO system cod. CNPCAIOEVO-H310T-x2x on medium configuration, 50% brightness and 70% of output processing power.
		Battery Replacement	The battery is built into the structure and can only be replaced at the end of its life cycle. Technical support required.
		Charge indicator	Charge indicator LED integrated into the base 1 x 80mm fan to prevent overheating.
	Safety	1 x Battery breaker switch 1 x Mains breaker switch	
Internal battery	Capacity	Up to 100Ah	
	Voltage	Nominal voltage : 12V DC	
	Type	Pb Gel or LiFePo	
	Life cycle	Pb Gel : Up to 500 LiFePo : Up to 4000	
	Storage	To keep in good working condition the battery pack, when the cart is stocked the charging state must be at least 70%. If the stocking period exceeding 6 months, a charging cycle plane is required.	
Charging system	Charging Method	Connect the cart directly to the mains. (external charging device not required)	
	Supported voltage	230V	
	Charging times	Up to 6.5 hours* *estimated charging time with 100Ah battery, in perfect working condition, with less than 10% residual charge	
Mechanical characteristics	Dimensions	See next page	
	Weight	Estimated 70KG for medium configuration	
	Color	Structure : RAL 9010 opaque (white) Details : RAL 5024 opaque (blue)	
Environment	Operating temp.	From + 5°C to + 35°C	
	Non op. temp.	From -10°C to +50°C	
	RH	95% @ 30°C non cond.	
Product cert.	Reference marks	CE, RoHS	
	Reference directive	Build in conformity with European 2014/53/EU (RED) and 2011/65/EU (RoHS)	
	Company cert.	Ref. standards UNI EN ISO 9001	

Ordering code	CNEIDOS-17-02	EIDOS & AIO Touch H310 basic configuration without battery
	EKIT-BATT-12V044A-01	44Ah Pb-Gel Battery kit
	EKIT-BATT-12V065A-01	65Ah Pb-Gel Battery kit
	EKIT-BATT-12V070A-00	70Ah LiFePo Battery kit
	EKIT-BATT-12V100A-01	100Ah Pb-Gel Battery kit
	TKITMED-ITA-WHITE-01	Medical keyboard (white), ITA layout, slim 105 keys, IP68, touchpad
	TKITEXP-ITA-BLACK-08	Multimedia keyboard (black), ITA layout, slim 105 keys & mouse (Intercomp)
	TKITEXP-ITA-BLACK-09	Multimedia keyboard (black), ITA layout, 105 keys & mouse (Logitech)
	EKIT-EIDOS-BUMPER-00	Lateral top shelf tubular bumper
	Doc ref.	ZST-4292-00000073-00



Scan me



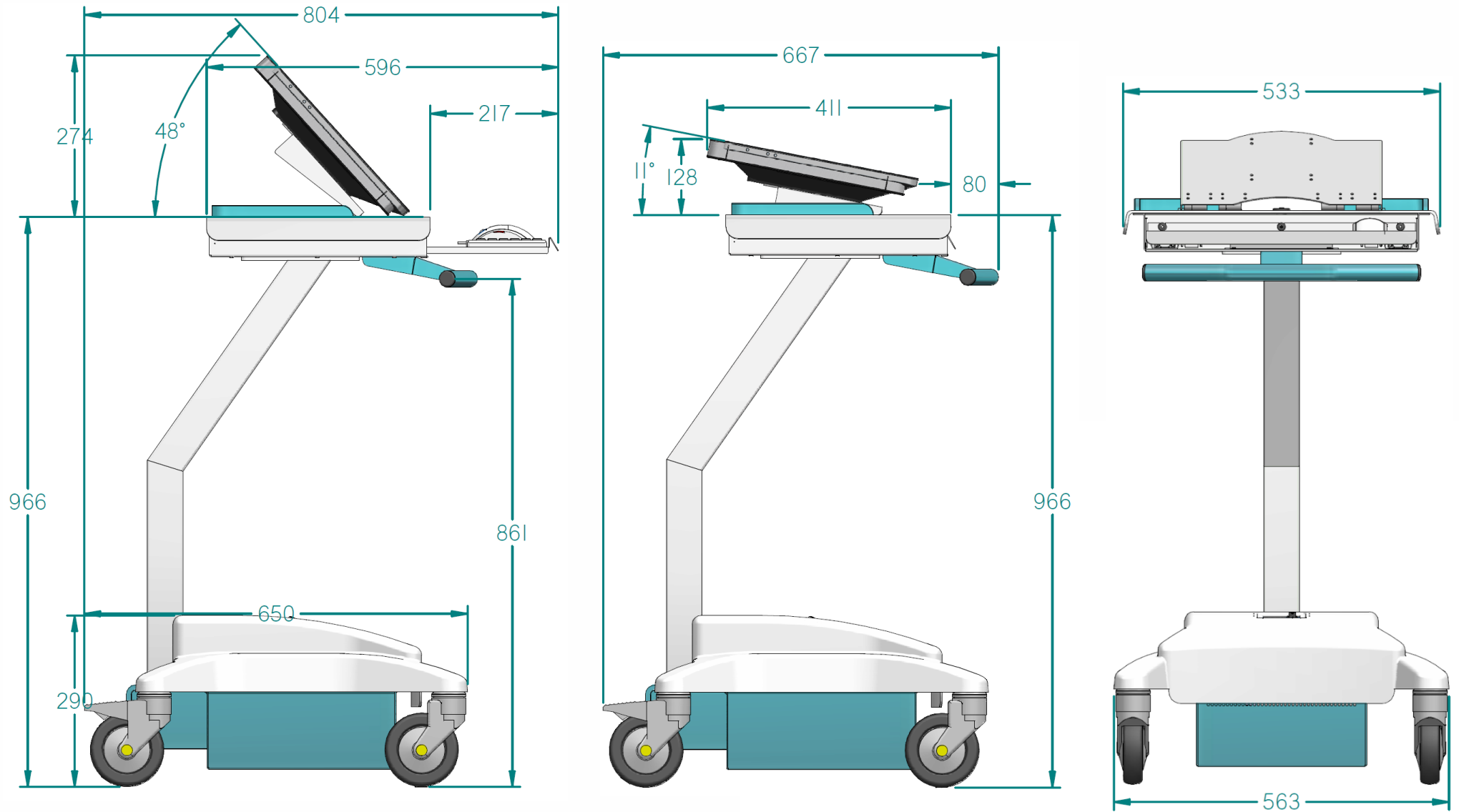
Intercomp S.p.A.

Via della Scienza 27, 37139, Verona, Italia
Tel +39 045-8378411 Fax +39 045-8510539
www.intercomp.it intercomp@intercomp.it

The product may differ from the images shown. All registered names and trademarks are legitimate owners. All features and specifications can be changed without prior notice.
Last update 23/04/2020



Overall dimensions



All dimensions are expressed in millimeters (mm)