

Kinetic & AIO Touch

Computerized cart for healthcare



- ✓ Designed for intensive use in the healthcare environment
- ✓ Easily cleanable
- ✓ Agile even in the presence of small drops on the floor thanks to the large antistatic wheels
- ✓ Easy handling allowed from the large ergonomic handle
- ✓ High autonomy without the need to recharge batteries
- ✓ Computing capacity at the top thanks to the Intel® Core™ processors
- ✓ Large 21.5" Full-HD PCAP touch screen with adjustable tilt and height, can also be used with latex gloves
- ✓ No need for charging stations, battery charging and charge indicator are integrated into the structure





System	Processor	Socket LGA 1151 Intel® Core™ 6 th /7 th gen. Intel® Core™ i7 / Core™ i5 / Core™ i3 / Pentium
	Chipset	Intel® H110 Express Chipset
	BIOS	128Mbit flash, AMI UEFI BIOS, DMI 3.0, WfM 2.0, SM BIOS 3.0, ACPI 5.0
	Expansion slots	1 x M.2 M key, 2242/2260 storage dev. (SATA & PCIe) 1 x M.2 E key, 2230 Wi-Fi/BT dev. (PCIe & USB)
Memory	Max exp.	32GB
	Supported memory Type / size	DDR4 2400/2133 SO-DIMM 4GB, 8GB, 16GB
	Slot	2
I/O interfaces lateral	Audio	1 x Jack 3.5mm headphone 1 x Jack 3.5mm microphone
	USB	2 x USB 2.0
I/O interfaces back	USB	4 x USB 3.0
	Audio	2 x Jack 3.5mm
	LAN	2 x RJ45
	Video	1 x DP (Display Port) 1 x HDMI
Storage	Integrated storage	1 x M.2 Socket3 (Socket 3, M key, 2242/2260 SATA & PCIe SSD) 2 x SATA3 6Gb/s
	Card Reader	6 in 1 Card Reader SD/XD/MMC
	HDD/SSD bay	1 x HDD/SSD SATA 2.5"
	ODD bay	1 x Slim DVD +R+RW-R-RW
Video subsystem	Integrated graphics adapter	Intel® HD Graphics (It varies depending on the installed CPU) Max shared memory : 1024MB
	Integrated LCD	21.5" TFT LCD – Led Backlight Full HD 16:9 1920x1080
	Max resolution. (Secondary video ports)	HDMI : 4096 x 2160 @ 24 Hz / 2560 x 1600 @ 60 Hz DP : 4096 x 2304 @ 60 Hz
	Display active at the same time	Max 2 (including the integrated LCD)
	Touchscreen	Projected capacitive, up to 10 touches
Multimedia	Webcam	Integrated front, 1.3Mpx
	Microphone	Integrated front

Audio subsystem	Integrated audio adapter	Realtek® ALC887 7.1-Channel High Definition Audio
	Speaker	2 x 5W (integrated / rear)
Network subsystem	Integrated network adapter	1 x 10/100/1000 Intel® I219V GbE LAN 1 x 10/100/1000 Realtek® RTL8111H GbE LAN
	WiFi & BT	Intel Dual Band Wireless-AC 7265 802.11ac, Dual Band, 2x2 Wi-Fi + Bluetooth 4.2
Chassis	Colour	Black/Silver (standard) or White/Black/Silver
Software	Supported operating system	Microsoft Windows 7 64bit (only Intel® Core™ 6th) Microsoft Windows 8.1 64bit (only Intel® Core™ 6th) Microsoft Windows 10 64bit
	Environment	Operating temp.
Non operating temp.		From -20°C to +70°C
Product certifications	RH	95% @ 30°C not cond.
	Reference marks	CE, RoHS
	Directive	Built in compliance with European Directive 2014/53/EU (RED) and 2011/65/EU (RoHS)



www.intercomp.it

Intercomp S.p.A.
Via della Scienza 27
37139, Verona, Italia
Tel +39 045-8378411
Fax +39 045-8510539



azienda con sistema di gestione per la qualità certificato
ISO 9001:2008

intercomp@intercomp.it

Il prodotto potrebbe differire dalle immagini riportate. Tutti i nomi e marchi registrati sono dei legittimi proprietari. Tutte le caratteristiche e specifiche potranno essere modificate senza alcun preavviso.
Aggiornato il 13/03/2018



Kinetic	Description	Computerized cart with battery power for use in healthcare environments.
	Shelves	Sliding shelf & drawer designed to accommodate a keyboard and mouse and other accessory. (Depending on the configuration considered, the keyboard and mouse might be considered optional accessories)
	Optional keyboard	Silicone keyboard 88 keys, silent. Washed and sterilized without any special procedures. Degree of protection : IP68 Cleanable : (NEMA 4, 4X) Interface : USB It complies with: CE; FCC Class15, Part B
	Wheels	Front: 125mm, antistatic Rear: 125mm, antistatic, parking brake
	Handling	Ergonomic handle front and back
	Working area	Electric adjustable height by switch on the back handle. Manual adjustable display tilt from -14° to 23° (see mechanical features page)
	Power subsystem	Output voltage
Max erogated power		5.2A @19V DC
Life period		Up to 12 hours * *estimated lifetime with the use of 1 @ 12V 65Ah battery in perfect working order and 100% charge, used in combined with an AIO system cod. BNPCAIOEVO-H110T-01 on average configuration to 50% of output processing power.
Battery Replacement		The battery is built into the structure and can only be replaced at the end of its life cycle.
State indicator.		Charging indicator LED integrated into the base 1 x integrated 80mm fan to prevent overheating.
Safety		1 x Battery break switch 1 x Break power grid switch 4 x Fuse
Integrated battery	Capacity	65Ah (optional 100Ah)
	Voltage	Nominal voltage : 12V DC
	Type	Lead Gel
	Storage	To ensure smooth operation, the cart must be stocked with at least 70% charge and for periods not exceeding six months. For storage times of more than 6 months should be planned to trickle charging cycles.

Charging system	Charging Method	The cart recharge directly connected to the grid (no need for other external devices)
	Supported voltage	Full range 100-240V
	Charging times	Estimated in 6h with battery to 75%
Mechanical characteristics	Dimensions (L x H x D)	full size inclusive of AIO. 563 x 1558 x 746 mm
	Weight	Estimated 80KG for medium configuration.
	Color	Structure : RAL 9010 opaque (white) Details : RAL 5024 opaque (blue)
Product certification	Reference Marks	CE, RoHS
	Directive	Built in compliance with European Directive 2014/30/EU (EMCD), 2014/35/EU (LVD) and 2011/65/EU (RoHS)
Company certification	Reference standards	UNI EN ISO 9001
Product code	CNKINETIC-17-02	KINETIC cart with AIO, MOTORIZED, with DRAWER and KEYBOARD, v.BIANCO / BLU
	Ref. Doc.	ZST-4292-00000037-00



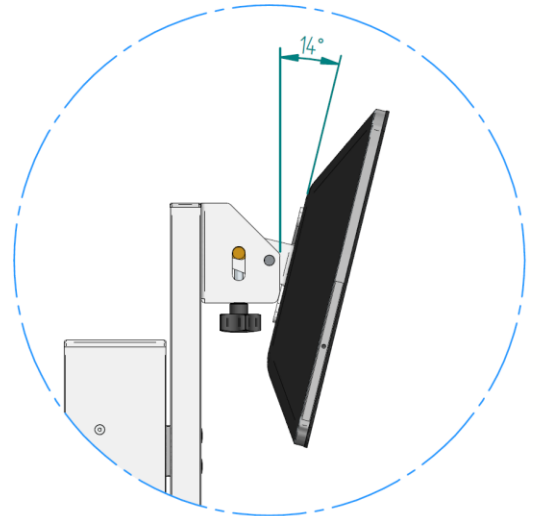
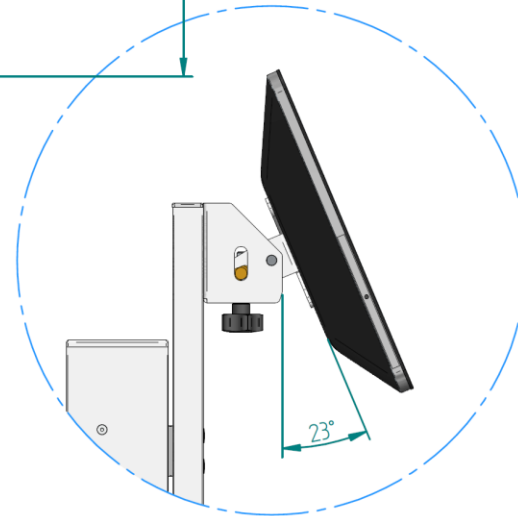
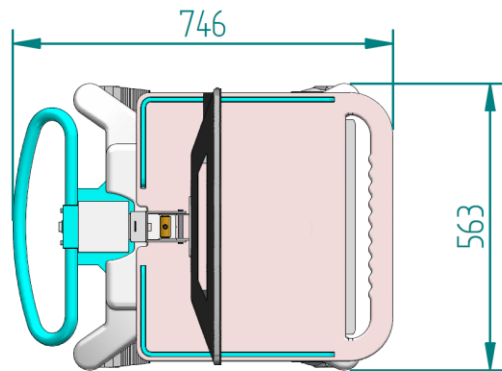
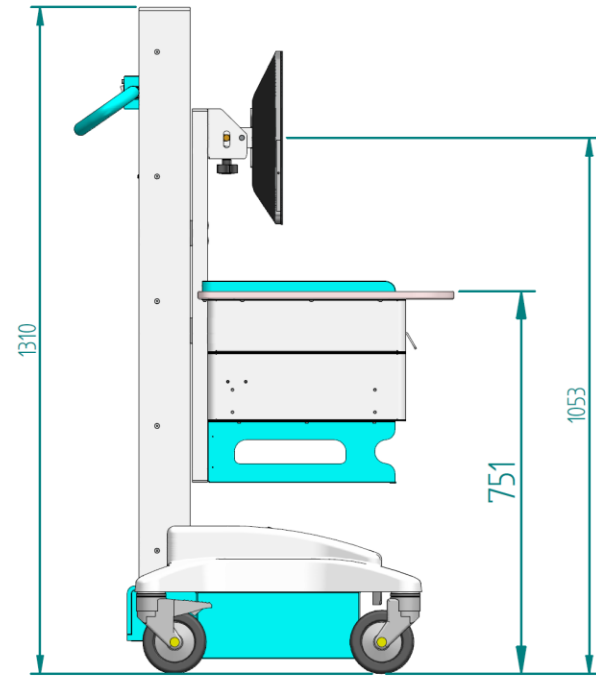
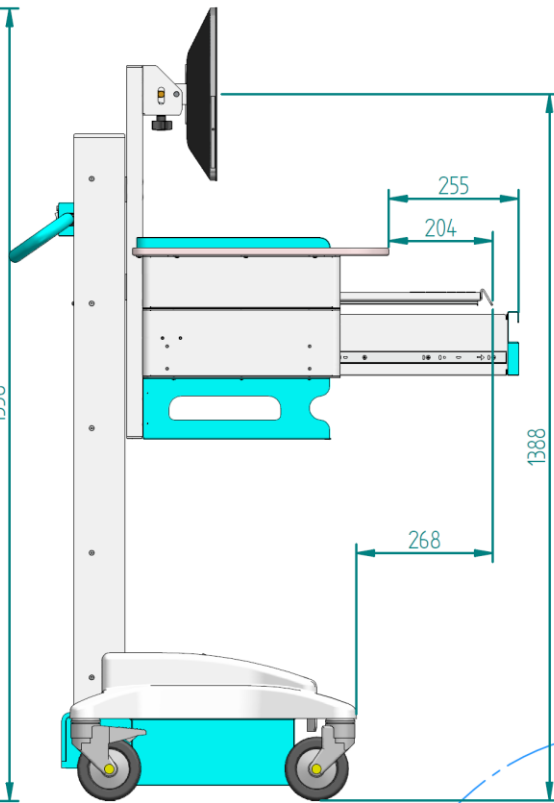
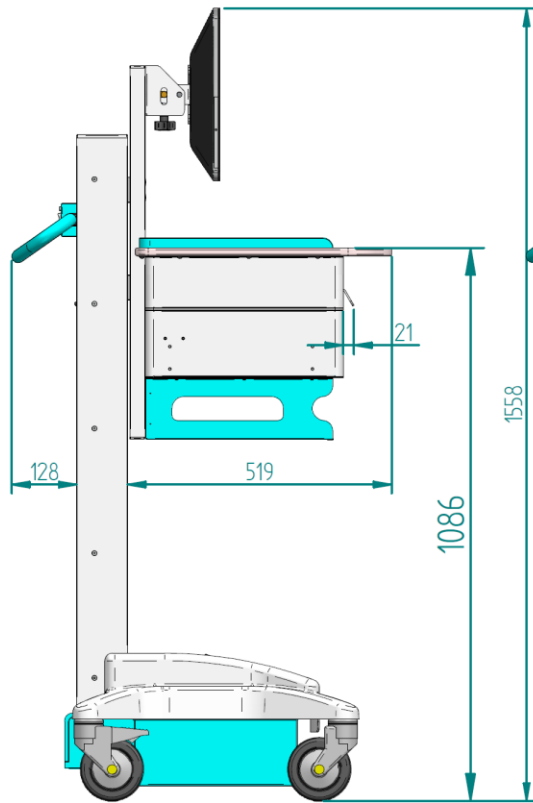
www.intercomp.it

Intercomp S.p.A.
Via della Scienza 27
37139, Verona, Italia
Tel +39 045-8378411
Fax +39 045-8510539



azienda con sistema di gestione per la qualità certificato
ISO 9001:2008

intercomp@intercomp.it



All dimensions are expressed in millimeters (mm)