

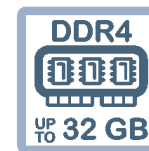


## Parma190

Digital Signage indoor kiosk



- ✓ Large 19" LCD display with LED backlight
- ✓ Touchscreen
- ✓ Solid painted steel structure
- ✓ RFID or magnetic strip card reader
- ✓ Integrated speakers
- ✓ LAN & WiFi connectivity
- ✓ High processing capacity thanks to Intel® Core™ processors





## Technical specifications

|                                |                                   |  |  |
|--------------------------------|-----------------------------------|--|--|
| <b>System</b>                  | <b>Processor</b>                  | Socket LGA 1151 Intel® Core™ 9 <sup>th</sup> & 8 <sup>th</sup> gen.<br>Intel® Core™ i7 / Core™ i5 / Core™ i3 / Pentium<br>TDP max. 65W |  |
|                                | <b>Chipset</b>                    | Intel® H310 Express Chipset  |  |
|                                | <b>BIOS</b>                       | 1 x 128 Mbit AMI UEFI BIOS<br>PnP 1.0a, DMI 2.7, WfM 2.0, SM BIOS 2.7, ACPI 5.0  |  |
|                                | <b>Expansion slots</b>            | 1 x PCI Express 3.0 x16 (optional)   |  |
|                                | <b>Memoria</b>                    | <b>Max expansion</b>   | 32GB   |
|                                | <b>Type</b>                       | DDR4- 2666/2400/2133 UDIMM 288pin  |  |
|                                | <b>Size</b>                       | Max size for 1 module : 4GB, 8GB, 16GB   |  |
|                                | <b>Slot</b>                       | 2  |  |
| <b>Internal I/O interface*</b> | <b>Note</b>                       | *Some I/O interfaces are used by the internal devices  |  |
|                                | <b>Serial</b>                     | 1 x RS232 optional   |  |
|                                | <b>USB</b>                        | 4 x USB 2.0<br>2 x USB 3.1 gen.1   |  |
|                                | <b>Keyboard/Mouse</b>             | 2 x PS/2   |  |
|                                | <b>Audio</b>                      | 3 x Jack 3.5mm (Line In, Line Out, Mic In)   |  |
|                                | <b>LAN</b>                        | 1 x RJ45   |  |
|                                | <b>Video</b>                      | 1 x VGA DB15<br>1 x DVI-D<br>1 x HDMI  |  |
|                                | <b>Storage</b>                    | <b>Integrated SATA ctrl</b>  | 4 x SATA 3 6Gb/s   |
|                                |                                   | <b>HDD/SSD bay</b>   | 1 x 2.5"   |
|                                | <b>Video subsystem</b>            | <b>Integrated video interfaces</b>   | Intel® HD Graphics (depends on the CPU model)<br>Max shared memory : 1GB |
| <b>LCD Display</b>             |                                   | 19.0" TFT  |  |
| <b>Color</b>                   |                                   | 16.7M  |  |
| <b>Viewing angle</b>           |                                   | H: 176° V: 170°  |  |
| <b>Response time</b>           |                                   | 5ms  |  |
| <b>Brightness</b>              |                                   | 250 cd/m <sup>2</sup>  |  |
| <b>Contrast</b>                |                                   | 1000:1   |  |
| <b>Reccomended res.</b>        |                                   | 1280x1024  |  |
| <b>Touchscreen</b>             |                                   | Standard : IR technologies, 4 touch<br>Optional : See optional kit (next pages)  |  |
| <b>Audio subsystem</b>         |                                   | <b>Integrated audio adapter</b>  | 7.1 High Definition Audio (Codec Realtek® ALC887)                        |
|                                | <b>Speaker</b>                    | 2 x Integrated speakers  |  |
| <b>Network interface</b>       | <b>Integrated adapter</b>         | 1 x 10/100/1000 Realtek® GbE LAN   |  |
|                                | <b>WiFi</b>                       | See optional kit (next pages)  |  |
| <b>Power</b>                   | <b>Standard PSU</b>               | AC INPUT: 230V, 60-50Hz  |  |
| <b>Printer</b>                 | <b>Thermal printer</b>            | See optional kit (next pages)  |  |
| <b>Card Reader</b>             | <b>RfID or Mag. Strip</b>         | See optional kit (next pages)  |  |
| <b>Software</b>                | <b>Supported operating system</b> | Microsoft Windows 10 64bit   |  |

|                               |                            |  |
|-------------------------------|----------------------------|--|
| <b>Machanical features</b>    | <b>Colour</b>              | Standard: White RAL9010<br>Optional: Different colors on request, subject to availability and minimum purchase quantity is required.     |
|                               | <b>L x H x D</b>           | See next pages   |
|                               | <b>Weight</b>              | Extimated 60Kg for medium configuration  |
| <b>Environment</b>            | <b>Operating temp</b>      | From + 5°C to + 35°C   |
|                               | <b>Non operating temp.</b> | From -30°C to +70°C  |
|                               | <b>RH</b>                  | 95% @ 30°C non cond.   |
| <b>Certifications</b>         | <b>Reference Marks</b>     | CE, RoHS   |
|                               | <b>Directive</b>           | Built according to EU Directive 2014/30/EU(EMCD), 2014/35/EU(LVD) or 2014/53/UE (RED) for WiFi/RfID equipped product. & 2011/65/EU(RoHS) |
| <b>Company certifications</b> | <b>Reference standards</b> | UNI EN ISO 9001  |
|                               | <b>Doc. code</b>           | ZST-4292-0000072-00  |



Scan me



**Intercomp S.p.A.**  
Via della Scienza 27, 37139, Verona, Italia  
Tel +39 045-8378411 Fax +39 045-8510539  
www.intercomp.it intercomp@intercomp.it



The product may differ from the images shown. All registered names and trademarks are legitimate owners. All features and specifications can be changed without prior notice.  
Last update 17/04/2020



## Ordering code & Kit specifications

|                       |                      |   |
|-----------------------|----------------------|---|
| <b>Totem Parma190</b> | <b>Ordering code</b> | <b>CNTOTEM19P-T-20-01</b>   |
|                       | <b>Features</b>      | Base configuration + EKIT-PR190-LCDTS-03<br>See previous page for detailed information. |

|                |                      |   |
|----------------|----------------------|---|
| <b>Printer</b> | <b>Ordering code</b> | <b>EKIT-PR190-PRNT-01*</b>  |
|                | <b>Features</b>      | Technologies : Direct thermal (no ink, no ribbon)<br>Max print width : 80mm / 640pixels<br>Supp. paper width : 58, 60, 80, 82.5mm<br>Max paper roll diameter : 160mm<br>Supp. paper thickness : 0.054-0.11mm (55-110g/m <sup>2</sup> )<br>Resolution : 8dots/mm (203dpi)<br>Print speed : 150mm/s<br>Presenter : Yes<br>Cutter : Yes<br>Interface : USB |

|             |                      |  |
|-------------|----------------------|--|
| <b>WiFi</b> | <b>Ordering code</b> | <b>EKIT-PR190-WIFI-01*</b>   |
|             | <b>Features</b>      | USB Wireless N 150Mbps High Gain<br>Standard : IEEE 802.11b/g/n<br>Freq. : 2.400-2.4835GHz<br>Signal rate :<br>11n: Up to 150Mbps(dynamic)<br>11g: Up to 54Mbps(dynamic)<br>11b: Up to 11Mbps(dynamic) |

**Choice notice** → **The following two kits cannot be installed simultaneously**

|                  |                      |  |
|------------------|----------------------|--|
| <b>RfID card</b> | <b>Ordering code</b> | <b>EKIT-PR190-CARD-01*</b>   |
|                  | <b>Features</b>      | Freq. : 13.56MHz<br>Supp. Tag : Iso14443A & Picopass2k<br>Interface : USB (keyboard emulation) |

|                      |                      |  |
|----------------------|----------------------|--|
| <b>Magnetic card</b> | <b>Ordering code</b> | <b>EKIT-PR190-CARD-02*</b>   |
|                      | <b>Features</b>      | USB KB Swipe reader<br>Ref. Standards: ISO 7810 and ISO 7811/AAMVA<br>Message Format: ASCII<br>Card Speed: 3 to 60 ips (7.62 – 152.4 cm/s) |

|                             |                      |  |
|-----------------------------|----------------------|--|
| <b>Choice notice</b>        | →                    | <b>One of the following kits must be chosen</b>  |
| <b>LCD &amp; Touch opt1</b> | <b>Ordering code</b> | <b>EKIT-PR190-LCDTS-01*</b>  |
|                             | <b>Features</b>      | Standard LCD panel : 19" (see previous pages)<br>Touchscreen : NO<br>Protection glass : Yes                      |
| <b>LCD &amp; Touch opt2</b> | <b>Ordering code</b> | <b>EKIT-PR190-LCDTS-02*</b>  |
|                             | <b>Features</b>      | Standard LCD panel : 19" (see previous pages)<br>Touchscreen : SAW 1 touch touchscreen<br>Protection glass : Yes |
| <b>LCD &amp; Touch opt3</b> | <b>Ordering code</b> | <b>EKIT-PR190-LCDTS-03* (default installed)</b>  |
|                             | <b>Features</b>      | Standard LCD panel : 19" (see previous pages)<br>Touchscreen : IR 4 touch touchscreen<br>Protection glass : Yes  |

\* Intended as optional kit



Scan me



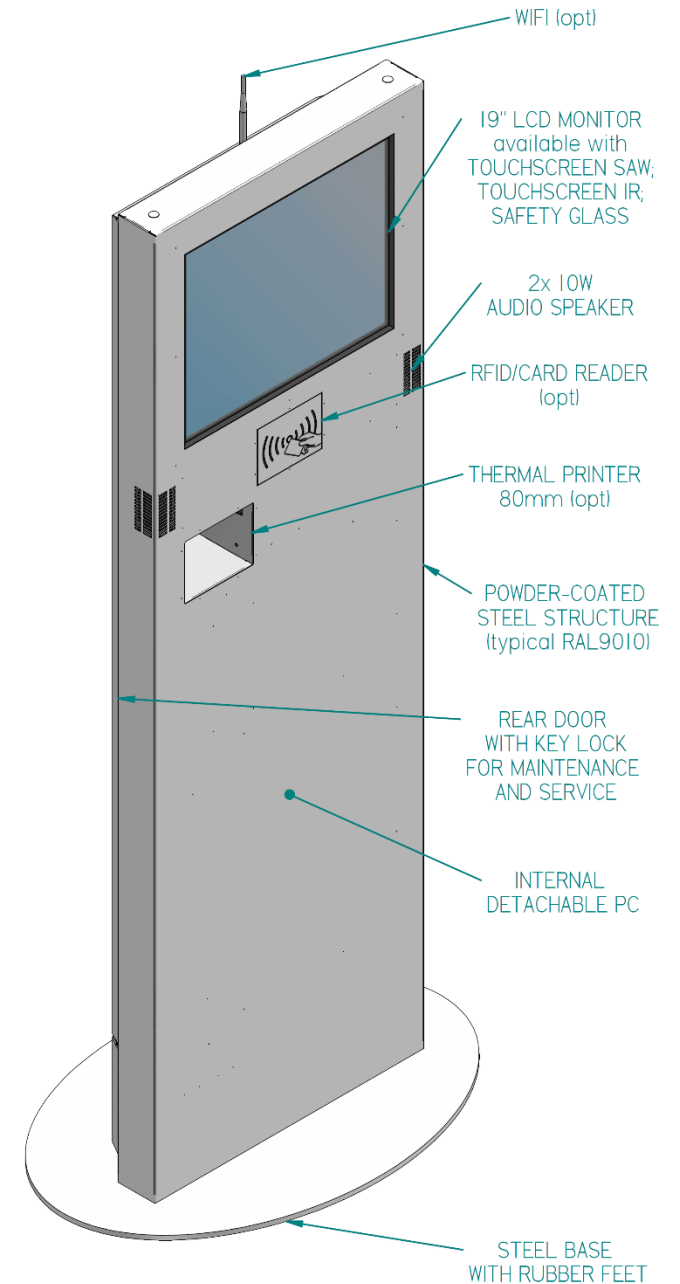
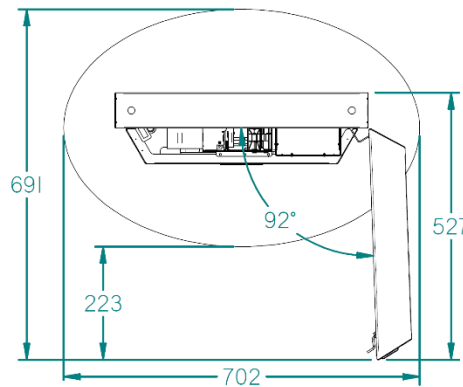
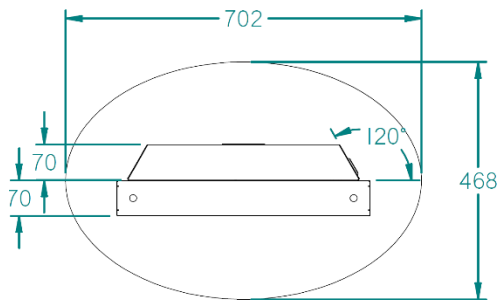
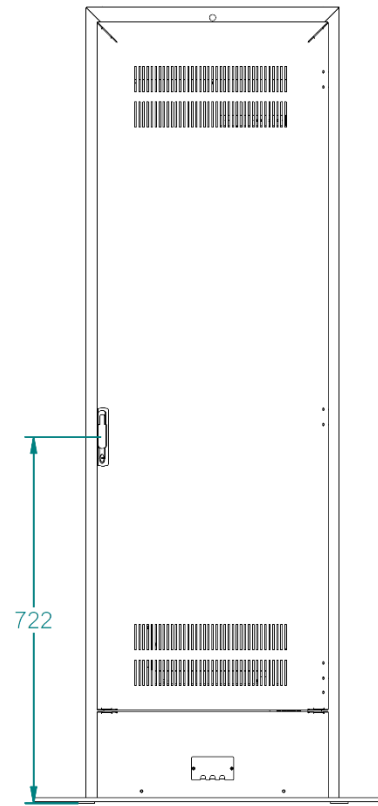
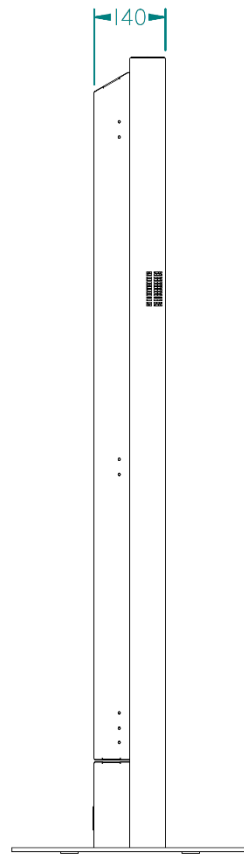
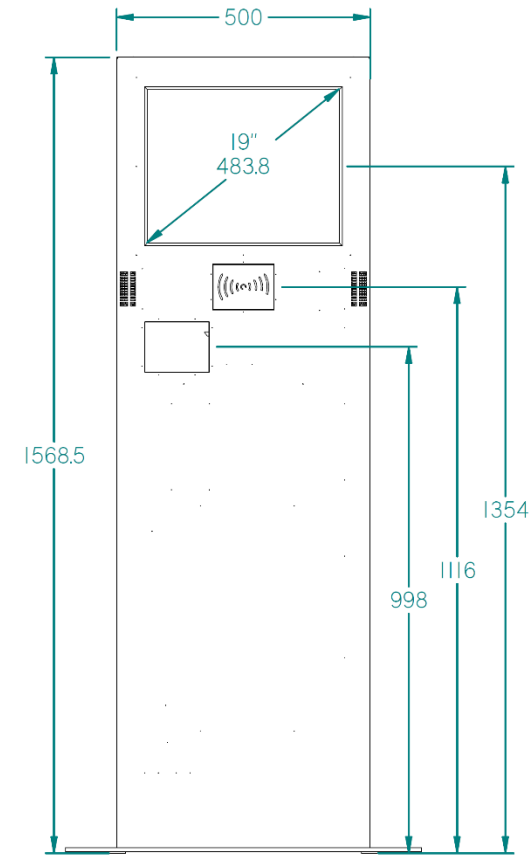


**Intercomp S.p.A.**  
Via della Scienza 27, 37139, Verona, Italia  
Tel +39 045-8378411 Fax +39 045-8510539  
www.intercomp.it intercomp@intercomp.it

The product may differ from the images shown. All registered names and trademarks are legitimate owners. All features and specifications can be changed without prior notice.  
Last update 17/04/2020



## Overall dimensions



All dimensions are expressed in millimeters (mm)