

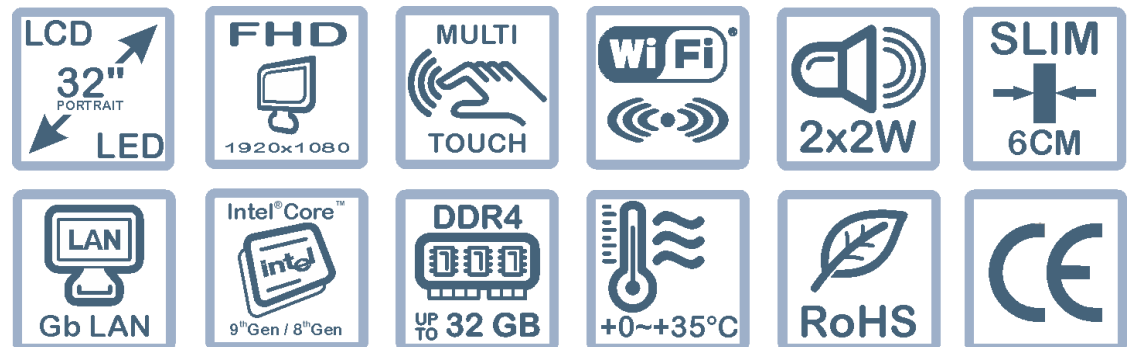


## Venezia320

Digital Signage indoor kiosk



- ✓ Elegant and not bulky thanks to a very thin design
- ✓ Large portrait 32" LCD display with LED backlight
- ✓ Glove capable touchscreen, up to 4 touch point
- ✓ Solid painted steel structure
- ✓ Integrated speakers
- ✓ 4G, WiFi & LAN connectivity
- ✓ High processing capacity thanks to Intel® Core™ processors





<b>System</b>	<b>Processor</b>	Socket LGA 1151 Intel® Core™ 9 <sup>th</sup> & 8 <sup>th</sup> gen. Intel® Core™ i9 / i7 / Core™ i5 Core™ i3 / Pentium	
	<b>Chipset</b>	Intel® H310 Express Chipset	
	<b>Expansion slots</b>	1 x M.2 Socket 1 for Wifi card 1 x PCI Express 3.0 x16	
<b>Memory</b>	<b>Max expansion</b>	32GB	
	<b>Type</b>	DDR4-2666/2400/2133 UDIMM 288pin	
	<b>Size</b>	Max size for 1 module : 4GB, 8GB, 16GB	
	<b>Slots</b>	2	
<b>Internal I/O interface*</b>	<b>Note</b>	*Some I/O interfaces are used by the internal devices	
	<b>Serial</b>	1 x RS232 (optional)	
	<b>LPT</b>	N/A	
	<b>USB</b>	2 x USB 2.0/1.1 2 x USB 3.1 Gen.1	
	<b>Mouse/keyboard</b>	2 x PS/2	
	<b>Audio</b>	3 x Jack 3.5mm (Line In, Line Out, Mic In)	
	<b>Video</b>	1 x VGA 1 x HDMI 1 x DVI-D	
	<b>External I/O interface</b>	<b>LAN</b> <b>USB</b>	1 x RJ45 2 x USB 2.0
<b>Storage</b>	<b>Integrated controller</b>	4 x SATA 3 6Gb/s 1 x M.2 (Socket 3, M key, 2260/2280 SATA & PCIe x4/x2 SSD)	
	<b>Internal bay</b>	1 x HDD/SSD SATA 2.5" unit	
<b>Video subsystem</b>	<b>Integrated graphics</b>	Intel® HD Graphics (depends on the CPU model) Max shared memory: 1GB	
	<b>LCD Display</b>	32.0" a-Si TFT	
	<b>Viewing angle</b>	H: 178° V: 178°	
	<b>Response time</b>	8ms	
	<b>Brightness</b>	500 cd/m <sup>2</sup>	
	<b>Contrast</b>	3000:1	
	<b>Reccomended res.</b>	1080 x 1920	
	<b>Touchscreen</b>	Based on IR technology Up to 4 contemporary touch points USB Interface	
	<b>Audio subsystem</b>	<b>Integrated audio</b>	Codec Realtek® ALC887
		<b>Channel</b>	7.1 High-Definition Audio
<b>Speaker (optional)</b>		2 x 2W speakers	
<b>Network subsystem</b>	<b>Integrated network controller</b>	1 x 10/100/1000 Gigabit Ethernet Controller	
	<b>WiFi (optional)</b>	1 x Wireless High Gain N 150Mbps USB IEEE 802.11n, IEEE 802.11g, IEEE 802.11b	

<b>Security</b>	<b>Trusted Platform Module</b>	Optional TPM2.0 module
<b>Power</b>	<b>Standard PSU</b>	AC INPUT: 100-240V, 60-50Hz
<b>Software</b>	<b>Supported operating system</b>	Windows 10 64bit
<b>Machanical features</b>	<b>L x H x D</b>	See next pages
	<b>Weight</b>	Estimated 50Kg for medium configuration
	<b>Color</b>	White wrinkled (RAL 9010)
<b>Environment</b>	<b>Operating temp.</b>	From + 5°C to + 35°C
	<b>Non operating temp.</b>	From -30°C to +70°C
	<b>RH (Humidity)</b>	95% @ 30°C non cond.
<b>Product Certifications</b>	<b>Reference Marks</b>	CE, RoHS
	<b>Directive</b>	Built according to European Directive 2014/53/EU (RED), 2011/65/EU & 2015/863/EU (RoHS III)
	<b>Reference standard</b>	UNI EN ISO 9001
<b>Company Ordering code</b>	<b>CNTOTEM32P-C-20-02T</b>	Totem "Venezia320", LCD 32" TOUCH, H310, BIANCO RAL9010
<b>Optional kit</b>	<b>EKIT-17-000009</b>	Internal speakers kit
	<b>EKIT-TOTEM-ACC-0032</b>	Kit Wifi SLTP01, 802.11 b/g/n, 150 Mbps High gain
	<b>Doc. Ref.</b>	ZST-4292-00000147-00



Scan me

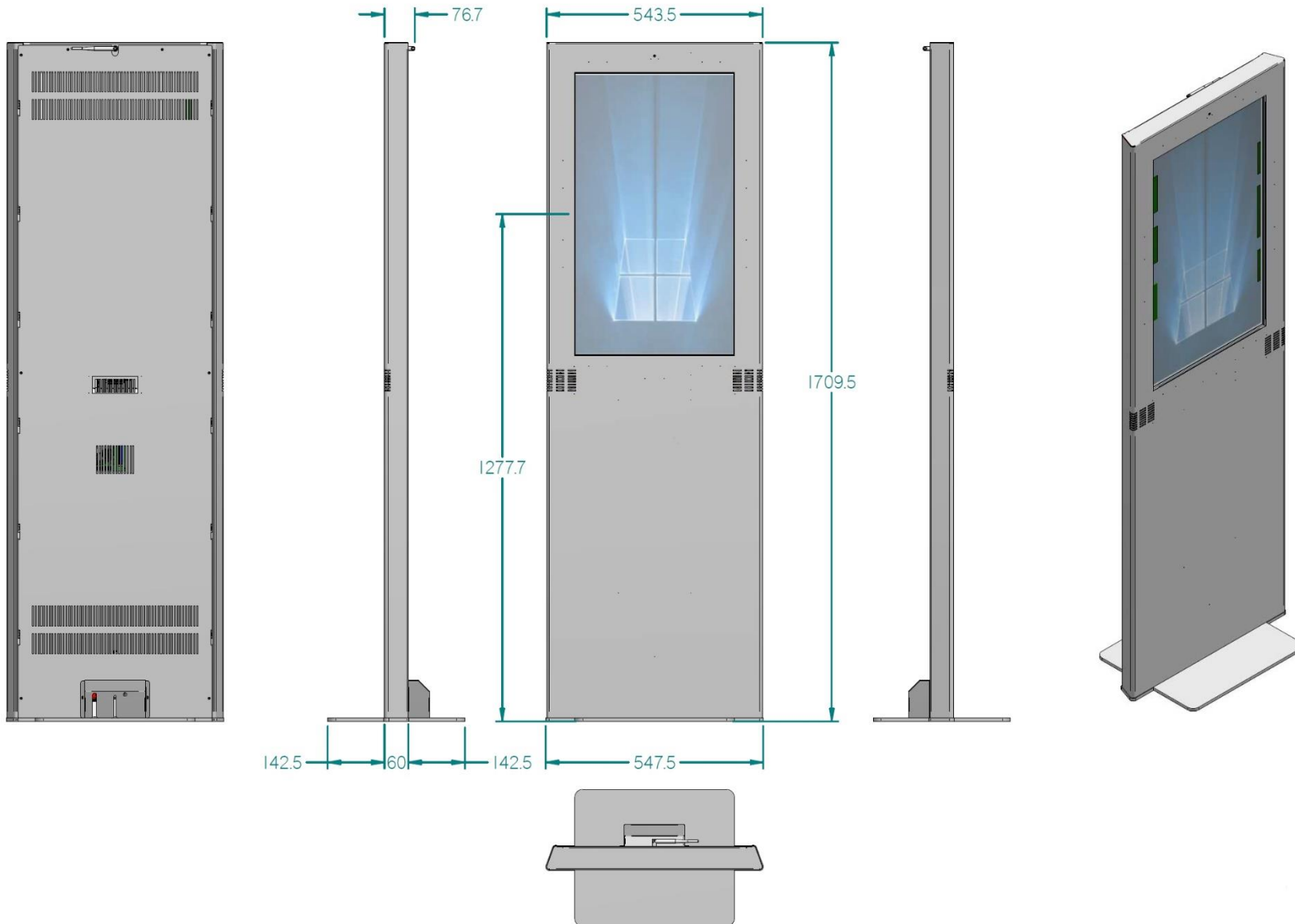


**Intercomp S.p.A.**  
Via della Scienza 27, 37139, Verona, Italia  
Tel +39 045-8378411 Fax +39 045-8510539  
www.intercomp.it intercomp@intercomp.it

The product may differ from the images shown. All registered names and trademarks are legitimate owners. All features and specifications can be changed without prior notice.  
Last update 16/11/2021



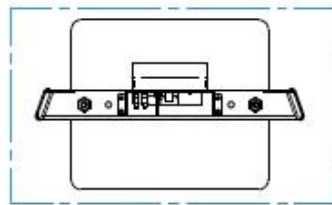
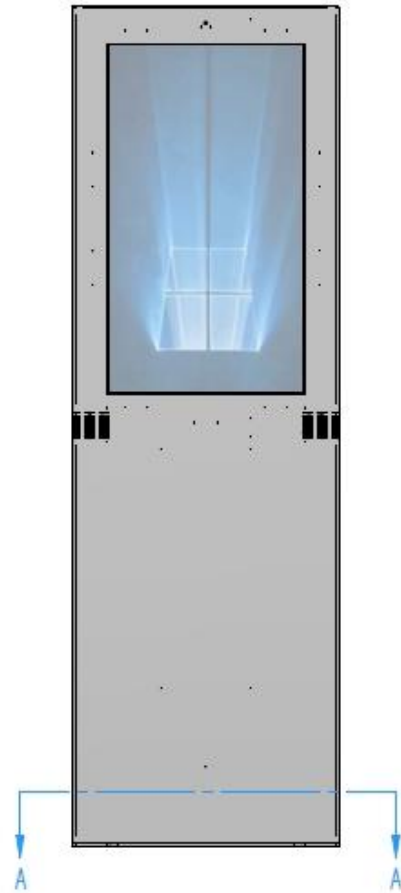
## Mechanical features



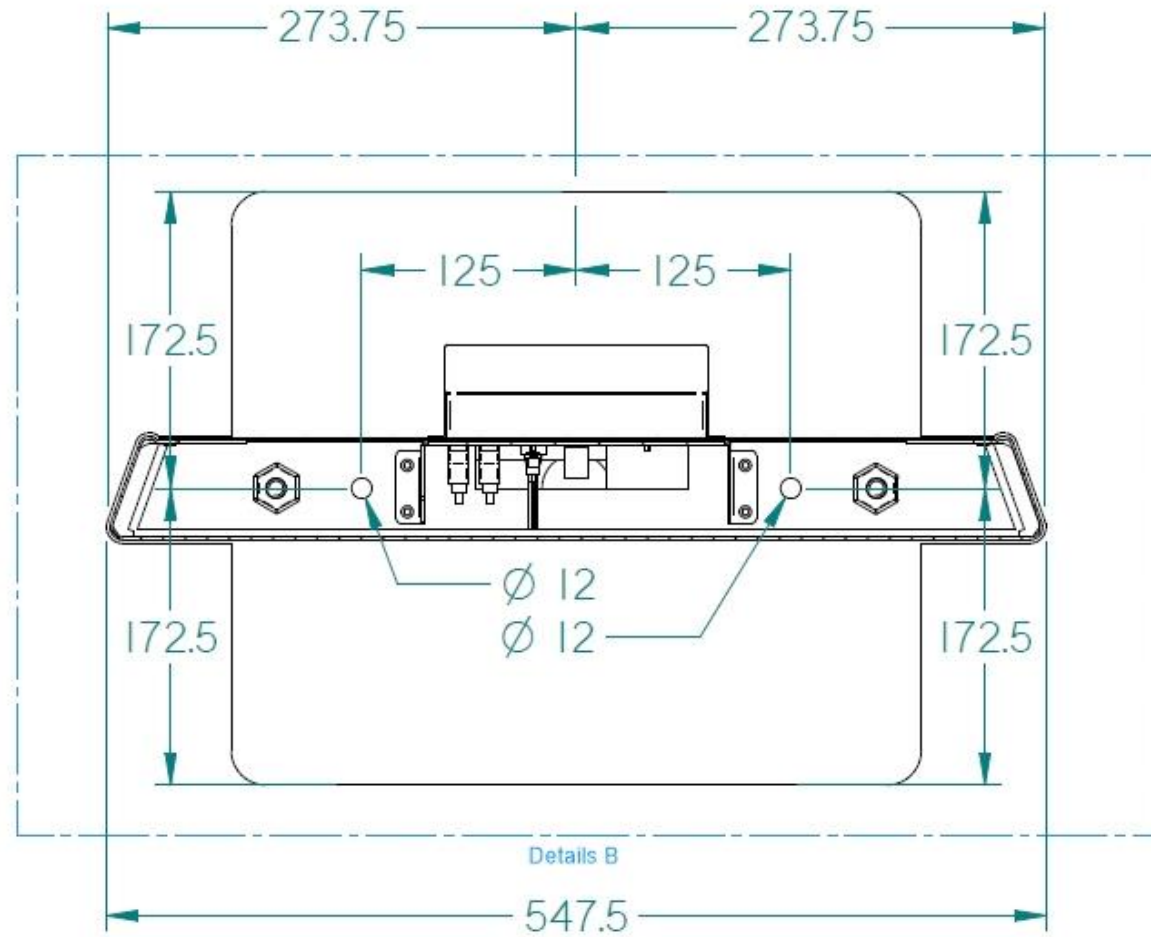
All dimensions are expressed in millimeters (mm)



## Mechanical features



Details A



All dimensions are expressed in millimeters (mm)