

Mantova171

General purpose outdoor totem



- ✓ Display 17" ith touchscreen function
- ✓ LCD panel with LED backlight, high contrast and brightness
- ✓ Integrated IP PoE video intercom
- ✓ Integrated Printer & barcode reader
- ✓ Solid structure in painted steel, predisposed for ground fixing
- ✓ Designed for continuous outdoor operation 24/7
- ✓ High processing capacity thanks to Intel® Core™ processors





Technical specifications

Display	Size	17"
	Technology	TFT
	Aspect ratio	5:4
	Resolution	1280 x 1024
	Contrast ratio	1000:1
	Brightness	800nits
	Response time	30ms
	Viewing angle	170° H/V CR=5
	Touchscreen	Up 2 contemporary touches PCAP technologies USB interface
	Surface	UV protection
System	Supported Processors	7 th /6 th Generation Intel® Core™ TDP MAX 35W
	Chipset	Intel® H110 Chipset (Intel® GL82H110 PCH)
	Internal expansion slots	1 x Full-size mSATA (USB/SATA) 1 x Half-size Mini PCIe (USB/PCIe)
	Memory	Max expansion 32GB Type SO-DIMM DDR4 1866/2133/2400MHz Total slots 2 (Dual Channel)
Storage	Bay	1 x SSD Full-size mSATA 1 x SSD/HDD 2.5" SATA
	Controller	SATA 3 6.0Gb/s
	Internal I/O interface¹	USB 4 x USB 3.0 2 x USB 2.0 Ethernet 2 x RJ45 Display 1 x DVI-D 1 x HDMI COM 1 x RS-232/422/485 (RS-232 w/ power) 1 x RS-232 Note ¹ Some I/O interfaces are used by the internal totem peripherals
External I/O interface	Cable hole	The structure is provided with a series of holes at the base, through which you can access the available internal I / O ports.
Audio/Video	IP video intercom	2MP CMOS camera Night vision 160° angle of view & voice indicator
	IP indoor monitor	7" TFT Cap. touchscreen, 1024 x 600 (supplied separately)
Network	LAN	1 x Intel® I211AT PCIe (10/100/1000Mbps) 1 x Intel® I219V PCIe (10/100/1000Mbps)
	Poe Switch	4 ports 10/100 PoE switch (supplied separately)
Printer	Printing method	Thermal, fixed head
	Print width	Up to 80mm
	Resolution	Up to 203dpi (8dot/mm)
	Cutter	Total paper width. Cutter life : Up to 1.000.000
	Paper roll diameter	Up to 180mm (external diameter)
Barcode	Type	1D & 2D barcodes

Software	Supported operating system	Microsoft Windows 10 64-bit
Power	Input voltage	AC 230 V 50 Hz
	Power consumption	500W (estimated max. load for medium configuration)
Mechanical	L x H x D	See next page
	Weight	90KG (estimated for medium configuration)
	Colour	Standard colour : Matte gray RAL9006 Custom colour : On request.
Environment	Service	Rear doors. Protected by key lock.
	Operating temp.	From -10°C to +50°C
	Non operating temp.	From -10°C to +60°C
	RH	From 10% to 80%
Product Certification	IP degree	IP44
	Reference marks	CE, RoHS
Company Certification	Directives	Built according to European Directive 2014/30/EU (EMCD), 2014/35/EU (LVD) and 2011/65/EU (RoHS)
	Reference marks	UNI EN ISO 9001
Datasheet	Doc. Ref.	ZST-4292-00000082-00
Ordering code	CNTOTEM-MN171-01A-00	Totem MANTOVA 171 OUTDOOR, LCD 17" TOUCH, VoIP, PRINTER, BARCODE, v.A, r.00
	Option	EKIT-MN171-BSE01-00 Stainless steel fixing base for ground installation





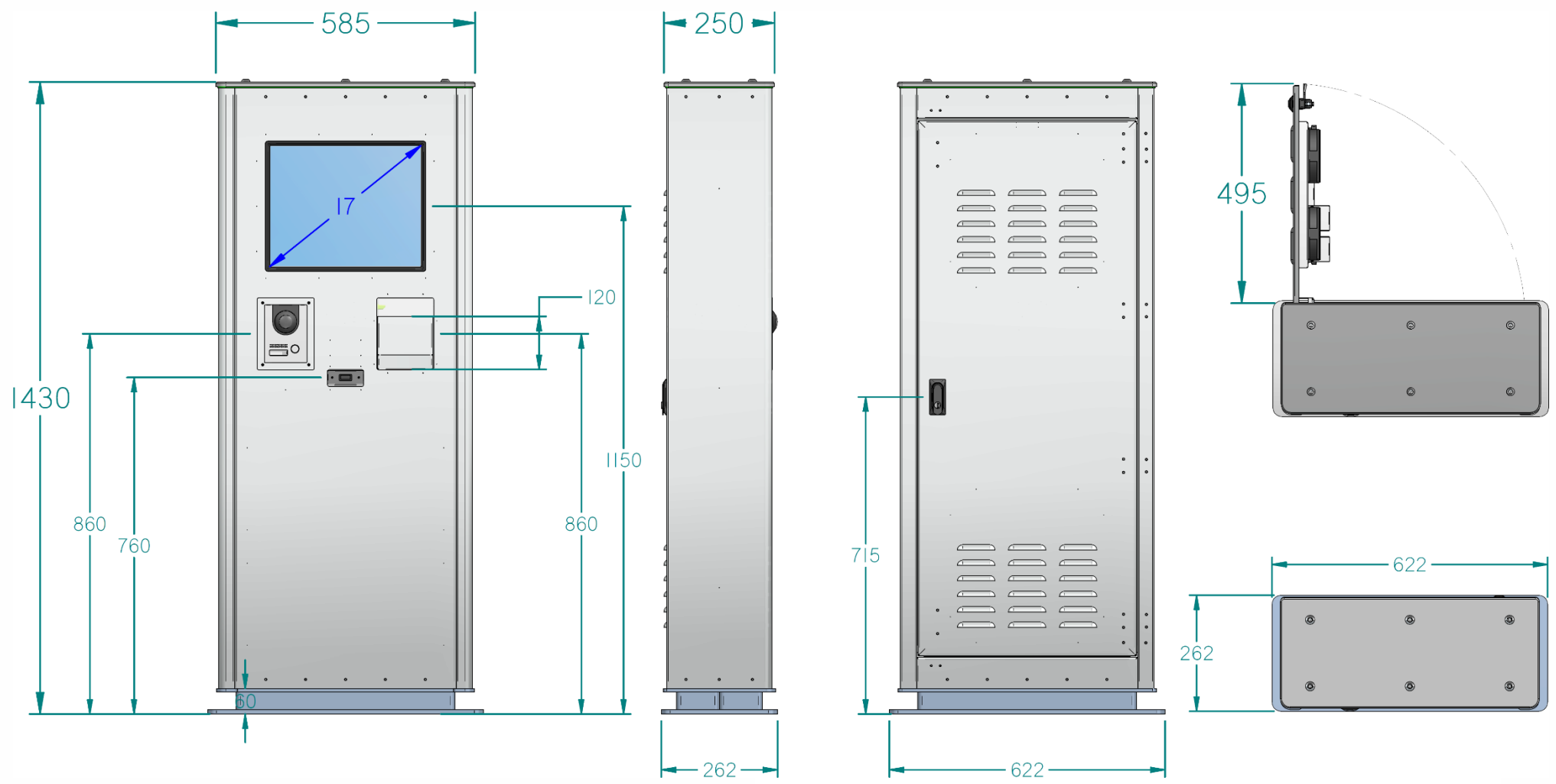
Intercomp S.p.A.
Via della Scienza 27, 37139, Verona, Italia
Tel +39 045-8378411 Fax +39 045-8510539
www.intercomp.it intercomp@intercomp.it


Scan me

The product may differ from the images shown. All registered names and trademarks are legitimate owners. All features and specifications can be changed without prior notice.
Last update 01/12/2020



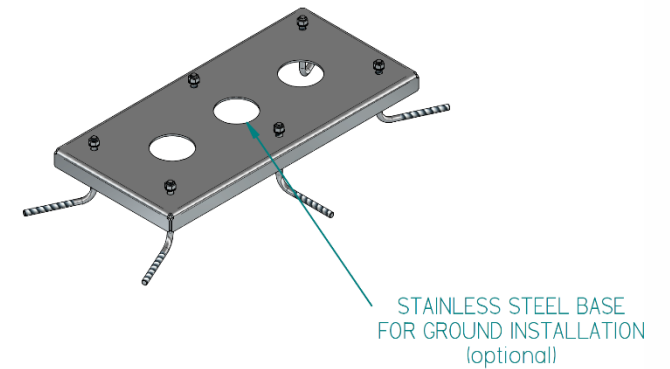
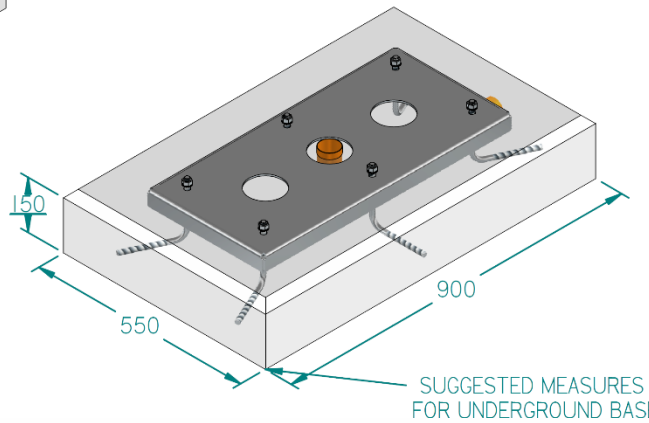
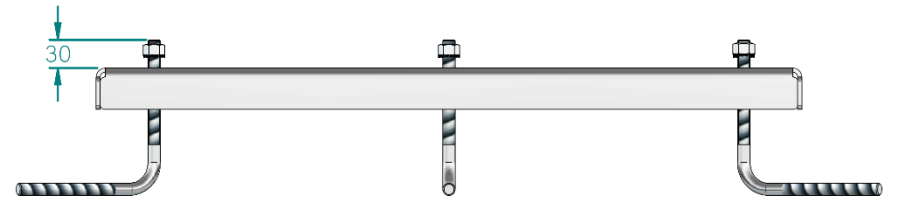
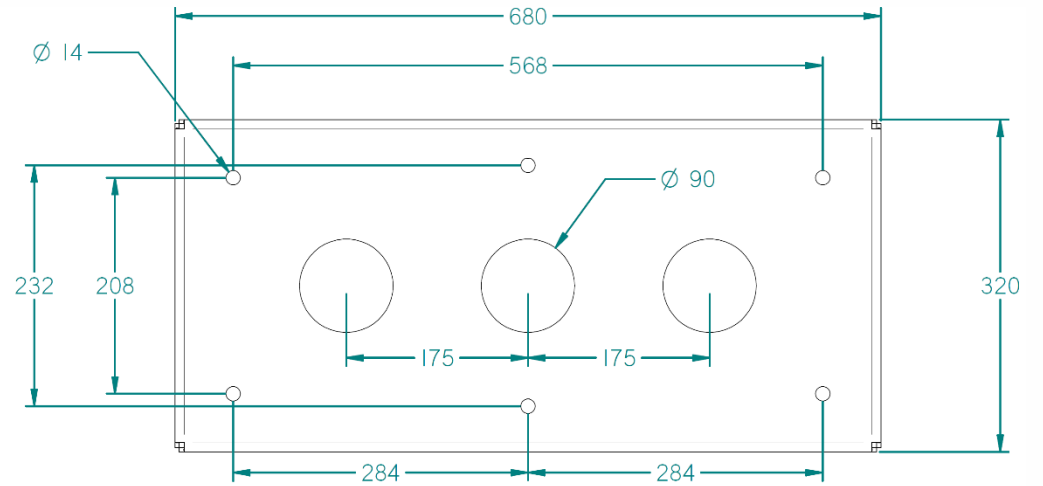
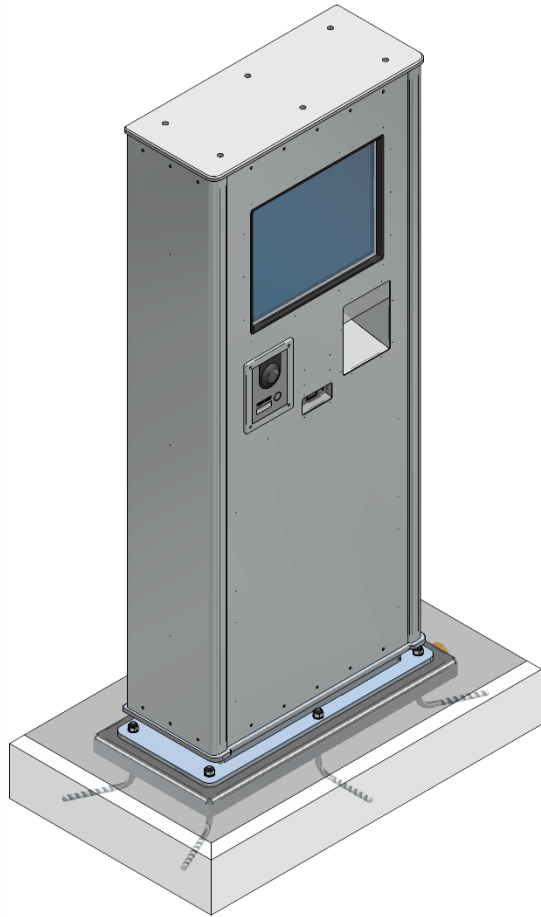
Mechanical specifications



All dimensions are expressed in millimeters (mm)



Optional fixing base overview



All dimensions are expressed in millimeters (mm)