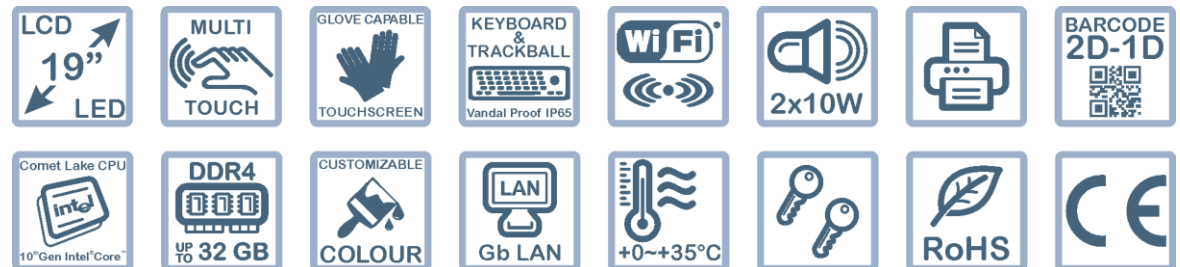


Torino194

Digital Signage indoor kiosk



- ✓ Large 19" LCD display with LED backlight
- ✓ Touchscreen functionality
- ✓ Solid painted steel structure
- ✓ Integrated speakers for multimedia contents diffusion
- ✓ Thermal printer
- ✓ LAN & WiFi connectivity
- ✓ High processing capacity thanks to Intel® Core™ processors
- ✓ Customizable shelf with keyboard or barcode reader





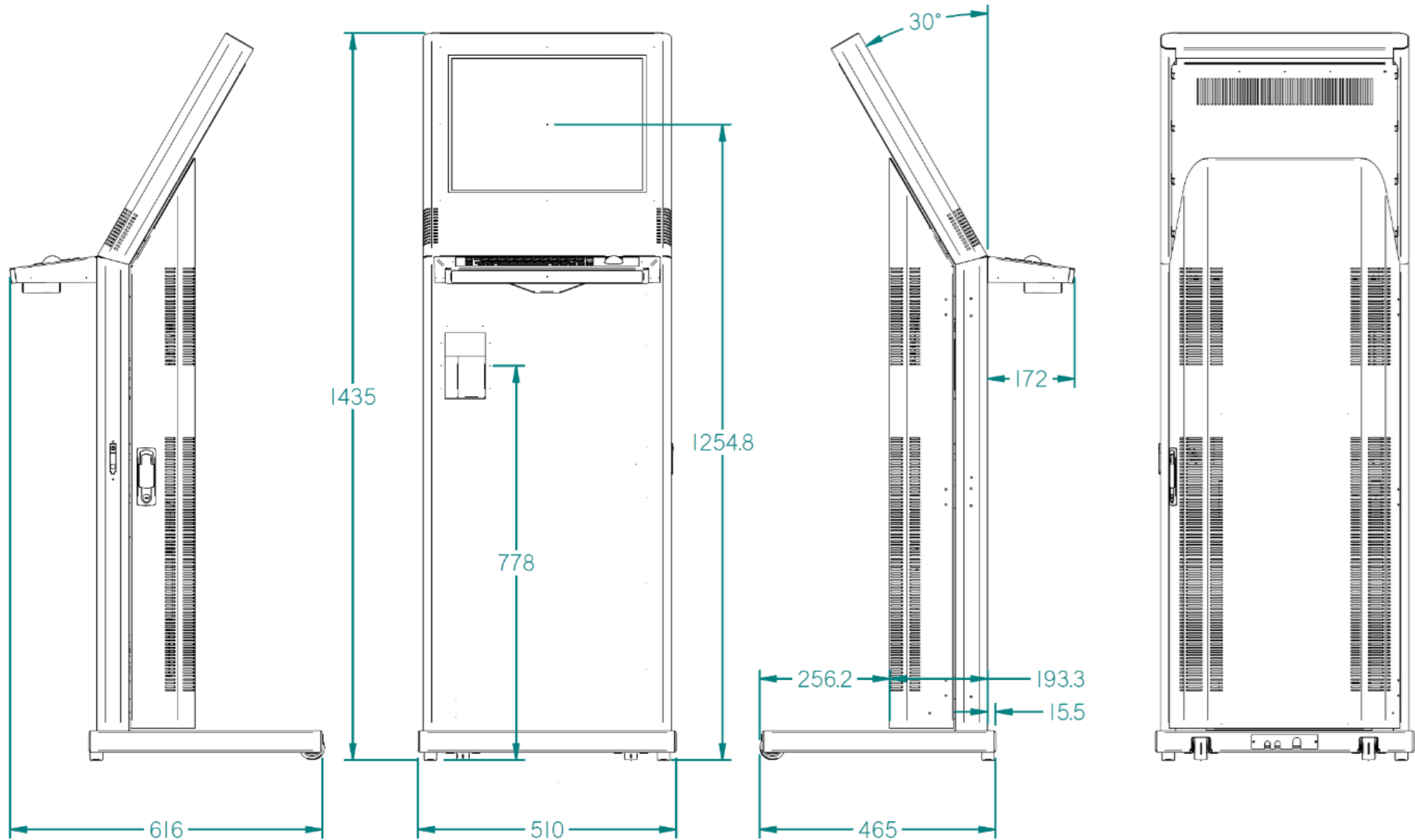
Technical Features

System¹	Processor	Socket LGA1200 Intel® Core™ from 10 th gen. Intel® Core™ i9 / i7 / i5 / i3 / Pentium® / Celeron®
	Chipset	Intel® H510 Express Chipset
	Bios	1 x 128 Mb AMI UEFI BIOS PnP 1.0a, DMI 2.7, WfM 2.0, SM BIOS 2.7, ACPI 5.0
	Expansion slots	1 x PCI Express 3.0 x16 2 x PCI Express 3.0 x1
Memory¹	Max expansion	64GB
	Type	DDR4 2933/2666/2400/2133 UDIMM 288pin 4GB, 8GB, 16GB, 32GB (only i9 / i7 support for DDR4 2933)
	Slot	2
Internal I/O Interface²	Serial	1 x RS232 (optional)
	LPT	N/A
	LAN	1 x RJ45
	USB	4 x USB 2.0
		2 x USB 3.1 gen.1
		2 x USB 3.1 gen.1 (optional) 1 x USB 2.0 (optional)
	Mouse / Keyboard	2 x PS/2
	ON / OFF / RESET	1 x Power Switch with power led
	Audio	3 x Jack 3.5mm (Line In, Line Out, Mic In)
	Video OUT	1 x DVI-D (maximum resolution of 1920x1200@60Hz)
1 x HDMI (maximum resolution of 4096x2160@30Hz)		
1 x VGA (maximum resolution of 1920x1200@60Hz)		
Video IN	1 x VGA 1 x DVI-D Only one port connected at the same time	
External I/O Interface²	LAN	1 x RJ45 1 x RJ45 (mechanical predisposition for POS)
	Socket	IEC Connector C14
Storage¹	Integrated controller SATA	4 x SATA 3 6Gb/s 1 x M.2 (Socket 3, M key, 2242/2260/2280 PCIe x4/x2 SSD)
	HDD / SSD bay	1 x 3.5"
Graphics subsystem	Integrated Video	Intel® HD Graphics (Features depend on installed CPU)
	Integrated LCD display	Panel Type: 19" TFT-LCD Pixels H x V : 1280 x 1024 (aspect ratio: 5/4) Active Area H x V: 376.320 x 301.056 mm Pixel Pitch: 0.294 x 0.294 mm Color: 16.7M White Luminance: 250cd/m ² Contrast Ratio: 1000 : 1 Response Time: 5 msec Viewing angle : Horizontal 176° – Vertical 170° CR=5
Touchscreen	Type	IR 4 Touchscreen Touch points : Up 4 contemporary touches
Note	Note¹	Check the installed basic model and the available options on the web configurator
	Note²	Some I/O interfaces are used by internal devices

Audio subsystem	Integrated audio	7.1 Realtek® High-Definition Audio Codec	
	Speaker	2 x Integrated speakers	
Network subsystem	Integrated network adapter	1 x 1 Gbps/100 Mbps	
	Printer (optional)	Printing Method: thermal direct with fixed head Resolution: 203 DPI Printing (mm/sec): 140mm/sec Paper width: 80 mm Paper weight: from 63 to 85 g/m ² Roll Dimension: max 90mm Head Life: 50Km/100M pulses Cutter life: 1M cuts	
Barcode reader (optional)	Type	Wide variety of 1D & 2D barcodes; audible buzzer; led operating indicators Models HD/SR : Code 39 & 128, UPC, PDF417, QR-code, Data Matrix	
	POS (optional)	Type Predisposition on shelf, customizable on request	
Keyboard (optional)	Type	Mechanical predisposition on shelf, customizable on request	
	Power	Standard PSU	AC 230V 50Hz
Consumption		300 W @ 75% Stress TDP MAX (estimated max. load for medium configuration)	
Software	Supported O.S.	Microsoft Windows 10 64bit	
Machanical Features	W x H x D	510mm x 1437mm x 616mm (with shelf kit included)	
	Weight	Estimated 55Kg for medium configuration	
	Colour	Standard color : Gray RAL66024IN Optional: different colors on request, subject to availability and MOQ	
	Labelling	Customizable on request	
	Mounting	Floor	
	Service	Rear doors, protected by key lock	
Environment	Cable hole	The structure is equipped with a cable cover at the rear of the base	
	Operating temp	From +5°C to +35°C	
	Non-operat. temp.	From -0°C to +60°C	
	RH	95% @ 30°C non cond.	
	Suitable for	Indoor use only	
	IP Grade	IP20	
	Cooling System	Forced mechanical ventilation	
	Over-temperature protection	Temperature detection, fan speed detection, overheating warning, fan fail warning, fan speed control	
	Product Certifications	Reference Marks	CE, RoHS
		Directives, rules & regulations	Built according to EU Directive: 2014/30/EU (EMCD), 2014/35/EU (LVD), 2011/65/EU & 2015/863/EU (RoHS III)
Company Certifications	Reference Standards	UNI EN ISO 9001	
Ordering Code	CN042-AA01-SN-001-00	Totem "Torino194", LCD 19", H510, Modular, Gray 66024IN	
Optional KIT	KDS04-03E-01-001-00	Shel kit with 2D Barcode reader w/ pos mechanical predisposition, w/o keyboard	
	EKIT-17-000025A	KIT Thermal Printer	



Mechanical Features (example of integration w/ keyboard & barcode reader & printer)



All dimensions are expressed in millimeters (mm)

The images shown here are just an example, for any type of customization please contact your sales representative



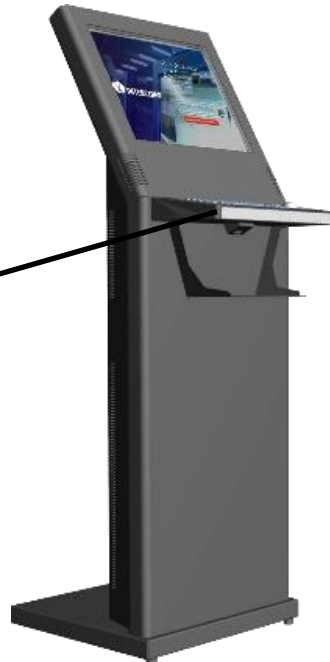
Mechanical Features (example of integration)



Example of keyboard integration & thermal printer
(shel kit w/ barcode reader & keyboard)



Example of POS integration
(shel kit with barcode reader w/ pos mechanical predisposition, w/o keyboard)



Example of keyboard integration
(Shel kit w/ barcode reader & keyboard)



Intercomp S.p.A.
Via della Scienza 27, 37139, Verona, Italia
Tel +39 045-8378411 Fax +39 045-8510539
www.intercomp.it/intercomp@intercomp.it

The images shown here are just an example, for any type of customization please contact your sales representative

The product may differ from the images shown. All registered names and trademarks are legitimate owners. All features and specifications can be changed without prior notice.
Last update 07/09/2022