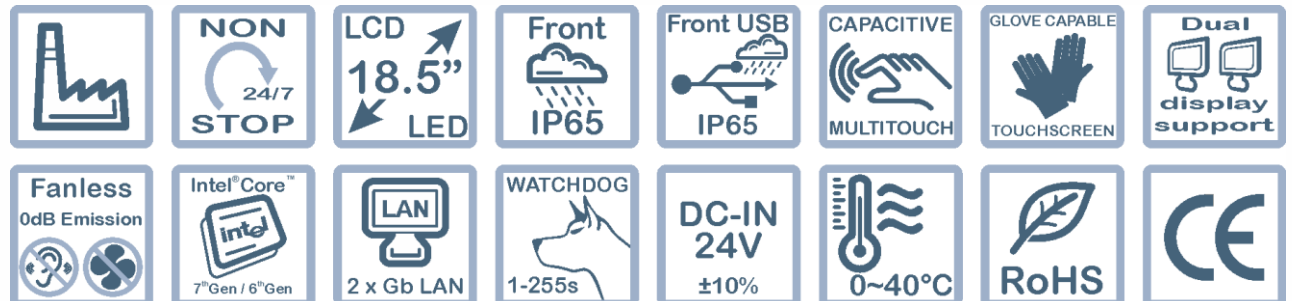


iCOMAC8200

PC Panel for industrial environment



- ✓ Designed for hard industrial environments
- ✓ Enclosure with IP54 degree of protection (Front IP65)
- ✓ Fanless cooling system
- ✓ 18.5" LCD widescreen with LED backlight
- ✓ 24V DC power supply
- ✓ High performance computing thanks to Intel® Core™ processors





Technical specifications

System	Supported Processors	7 th & 6 th Generation Intel® Core™ (TDP max 35W, Freq. max 3.60 GHz)
	Chipset	Intel® H110 Chipset (Intel® GL82H110 PCH)
	Internal expansion slots	1 x Full-size mSATA (USB/SATA)
Memory	Max expansion	32GB
	Type	SO-DIMM DDR4 1866/2133/2400MHz
	Total slots	2 (Dual Channel)
External I/O interfaces	USB	1 x USB 2.0 with IP65 protection cap.
Internal I/O interfaces*	USB	4 x USB 3.0
	Ethernet	2 x RJ45
	Display	1 x DVI-D
	Digital I/O (optional)	10P Phoenix connector : 3 x Opto isolated inputs (24V DC) 5 x Opto isolated output (max 400mA @24V DC per pin) 1 x 24V PSU input for D. I/O (24V DC & GND)
	Power	1 x DC-IN (Phoenix 2P)
	Note	* Access to internal interfaces is carried out through an integrated hole in the chassis, so the number and type of usable interfaces is related to the size of the passing cables/connectors.
	Storage	Bay
	Controller	SATA 3 6.0Gb/s
Monitoring	Watchdog	Programmable watchdog timer from 1 to 255 seconds (system reset)
Graphics subsystem	Integrated graphics adapter	Intel® HD Graphics (depends on the installed CPU model)
	Touchscreen	Touchscreen 10 contemporary touches Technology: projected capacitive Glove capable: Yes (only after approval based on the type of gloves used)
	Display	Panel type : a-Si TFT-LCD (LED Backlight) Diagonal / aspect ratio : 18.5" / 16:9 Pixel OxV : 1366 x 768 Pixel Pitch : 0.3(H) x 0.3(V) mm Contrast : 1000:1 Brightness : 300 cd/m ² Response time : 3.5ms Viewing angle : 178°(H)/170°(V) CR ≥ 5

Network subsystem	Integrated LAN adapter	1 x Intel® I211AT PCIe (10/100/1000Mbps) 1 x Intel® I219V PCIe (10/100/1000Mbps)
	Power	Nominal input 24V DC Tolerance ±10% Absorption 105W under maximum load
Software	Supported operating system	With 6th Gen. Intel® Core™ : Windows 7/10 64bit With 7th Gen. Intel® Core™ : Windows 10 64bit
Optional parts		<ul style="list-style-type: none"> • Handles for back cover • VESA 100 adapter kit
Mechanical characteristics	L x A x P	(see next pages)
	Weight	12 Kg base config. version (estimate)
	Fastening	VESA100
Environment	Operating temp.	From 0°C to +40°C with SSD storage From 5°C to +40°C with HDD storage
	Non operating temp.	From -5°C to +60°C
	IP Grade	IP65 Front IP54 Other sides
Certifications	Markings	UL, FCC, IC, UL Demko, CE, EAC, RoHS
	Directives	Built according to European Directive 2014/30/EU (EMCD), 2011/65/EU (RoHS)
Company	Reference marks	UNI EN ISO 9001
Product code	CNPCIND185-IC-02C00	iCOMAC8200 with back cover
	CNPCIND185-IC-02CM0	iCOMAC8200 with back cover + lateral handles
	CNPCIND185-IC-02CMV	iCOMAC8200 with back cover + lateral handles + VESA100 kit
Datasheet code	ZST-4292-00000043-02	



Scan me



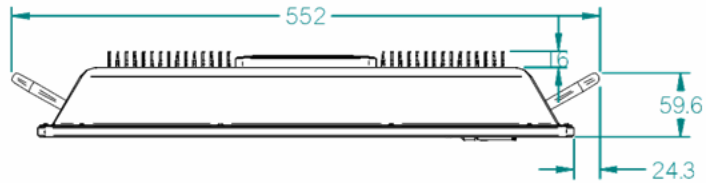
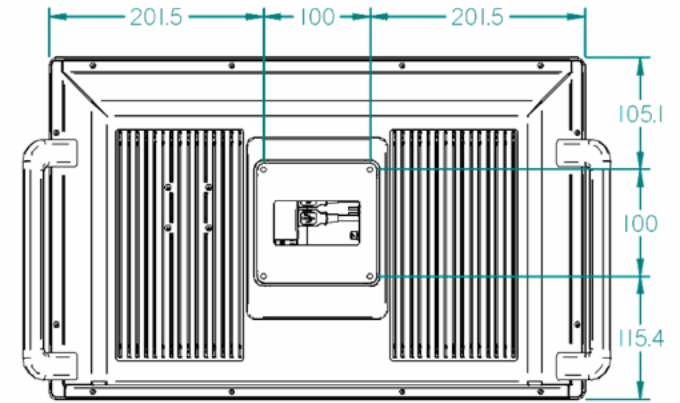
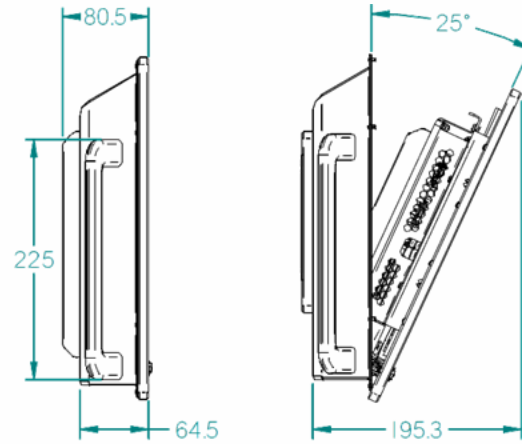
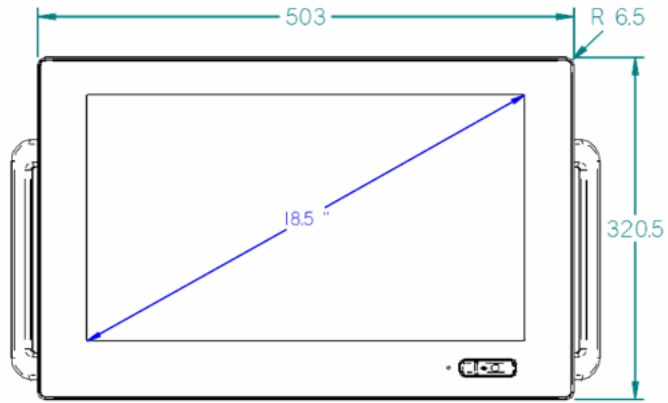
Intercomp S.p.A.
Via della Scienza 27, 37139, Verona, Italia
Tel +39 045-8378411 Fax +39 045-8510539
www.intercomp.it intercomp@intercomp.it



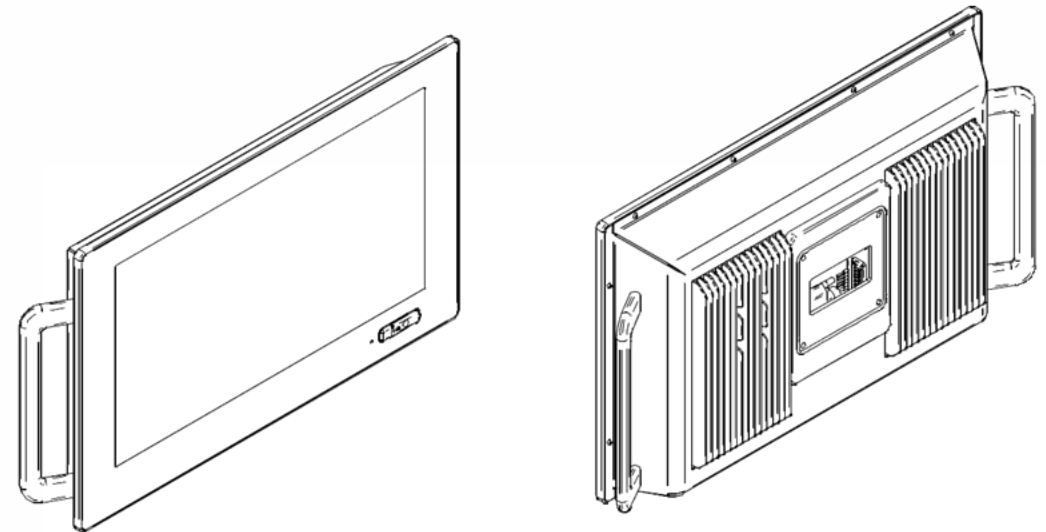
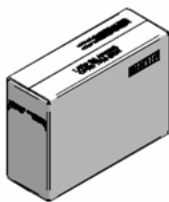
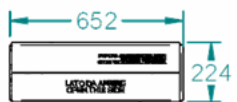
The product may differ from the images shown. All registered names and trademarks are legitimate owners. All features and specifications can be changed without prior notice.
Last update 20/04/2021



Overall dimensions



PACKAGING INFORMATION



All dimensions are expressed in millimeters (mm)