

iCOMAC6100

LCD Panel for industrial environment



- ✓ Three sizes available 15", 17" and 19"
- ✓ Chassis designed for industrial environments
- ✓ Front IP65 protection rating
- ✓ IP65 protected front USB port
- ✓ Fanless cooling system
- ✓ No acoustic impact, 0dBA emissions
- ✓ Resistive touchscreen
- ✓ Wide range power supply
- ✓ Guaranteed for continuous operation H24





Display and touchscreen features

15"	Panel type	a-Si TFT active matrix LCD	
	Size	15"	
	Aspect Ratio	4:3	
	Pixel HxV	1024 x 768	
	Pixel Pitch	0.297x0.297mm	
	Color	16.7M	
	Contrast ratio	2500:1	
	Brightness	500 cd/m ²	
	Response time	7ms	
	Viewing angle	Horizontal 176° - Vertical 176° CR=10	
	Power consumption	13W	
	Ordering Code	Aluminum front	CNICOMAC610015ARM-04
		Inox 316	CNICOMAC610015IRM-01

17"	Panel type	a-Si TFT active matrix LCD	
	Size	17"	
	Aspect Ratio	5:4	
	Pixel HxV	1280X1024	
	Pixel Pitch	0.264x0.264mm	
	Color	16.7M	
	Contrast ratio	800:1	
	Brightness	350 cd/m ²	
	Response time	30ms	
	Viewing angle	Horizontal 160° - Vertical 140°	
	Power consumption	22W	
	Ordering Code	Aluminum front	CNICOMAC610017ARM-03
		Inox 316	CNICOMAC610017IRM-01

19"	Panel type	a-Si TFT active matrix LCD	
	Size	19"	
	Aspect Ratio	5:4	
	Pixel HxV	1280X1024	
	Pixel Pitch	0.294x0.294mm	
	Color	16.7M	
	Contrast ratio	1000:1	
	Brightness	350 cd/m ²	
	Response time	10ms	
	Viewing angle	Horizontal 170° - Vertical 160°	
	Power consumption	17W	
	Ordering Code	Aluminum front	CNICOMAC610019ARM-02
		Inox 316	CNICOMAC610019IRM-01

All dimensions are expressed in millimeters (mm)

Common features

Touchscreen	Type	Resistive 5 wire	
	Interface	USB	
Controls	Button	5 x Back access OSD buttons	
	Indicator	1 x Back status LED	
		1 x Front status LED	
Input connector	Video	1 x DVI-D 1 x VGA	
	USB	1 x Type B input USB	
	Power	1 x Phoenix 2P	
	Ground	1 x M4 screw	
Output connector	USB	1 x Front, Type A USB 2.0, IP65 protected 2 x Back, Type A USB 2.0	
External AC adapter	EKIT-ICOMAC-DC19V-00 (Optional KIT)	Input : 230V 50Hz Output : 19V DC	
Power	Input Voltage	24V DC	
	Tolerance	From 19V DC to 24V DC	
	Consumption	Depend on display size. See left.	
Mechanical Features	Fixing method	Panel mount / VESA 100	
	Dimensions	See next pages	
Weight		iCOMAC6100 15": 5.5KG iCOMAC6100 17": 6.5KG iCOMAC6100 19": 7.5KG	
	Environment	Operating temp.	From 0°C to +60°C
	Non operating temp.	From -20°C to +80°C	
Product Certifications	Relative humidity	From 20% to 90% Not condensed	
	IP Grade	Front IP65	
	Suitable for	Indoor use only	
	Reference marks	CE, RoHS	
	Directives, rules & regulations	Built according to European Directive 2014/30/EU (EMCD), 2014/35/EU (LVD) and 2011/65/EU (RoHS)	
Company Certifications	Reference standard	UNI EN ISO 9001	

Doc. ref. ZST-4292-00000006-03



Scan me





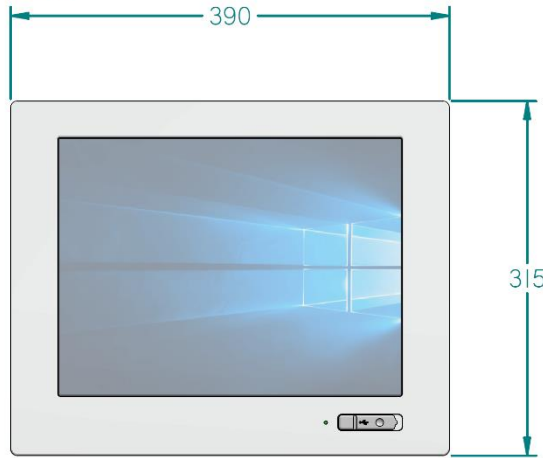
Intercomp S.p.A.
Via della Scienza 27, 37139, Verona, Italia
Tel +39 045-8378411 Fax +39 045-8510539
www.intercomp.it intercomp@intercomp.it

The product may differ from the images shown. All registered names and trademarks are legitimate owners. All features and specifications can be changed without prior notice.
Last update 18/11/2022

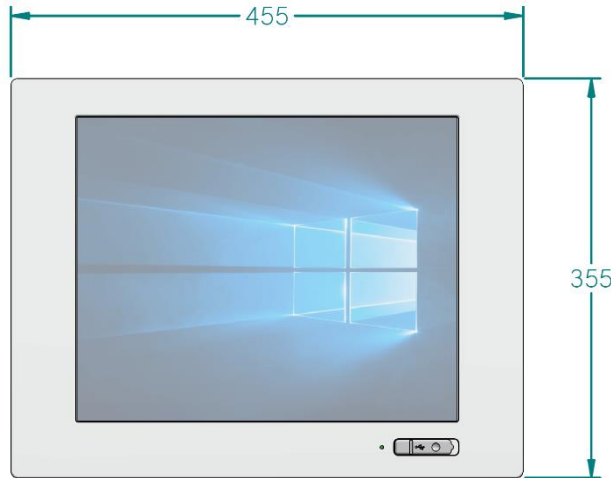


Mechanical Features (dimensions for panel mounting)

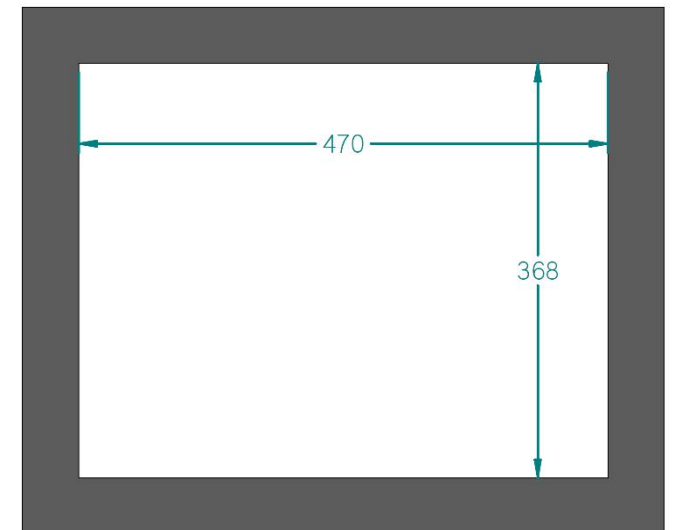
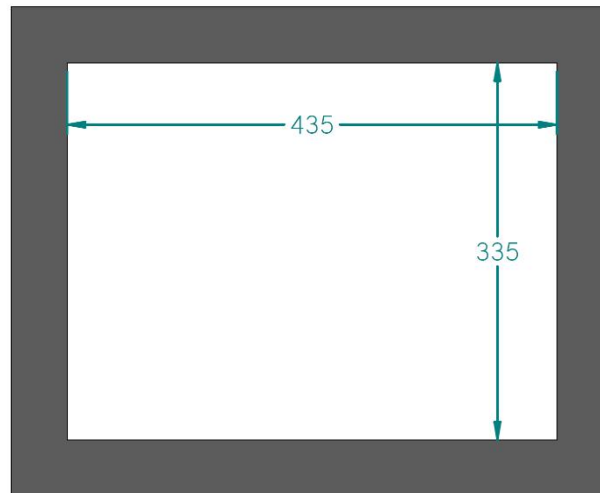
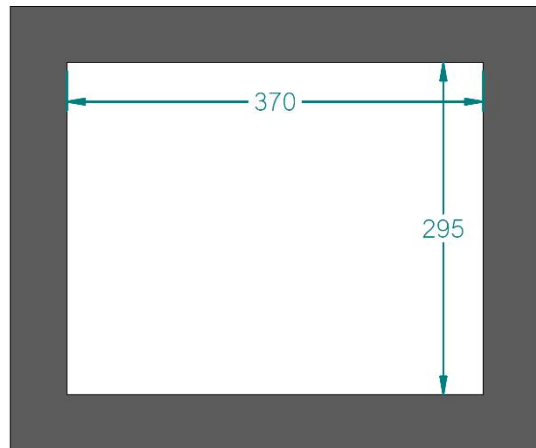
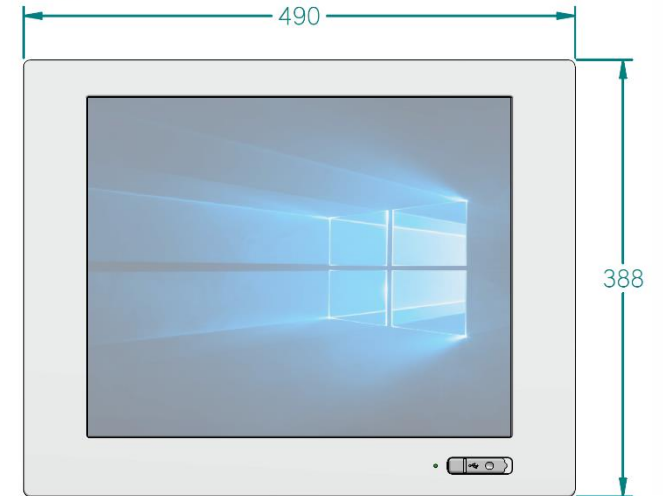
15"



17"



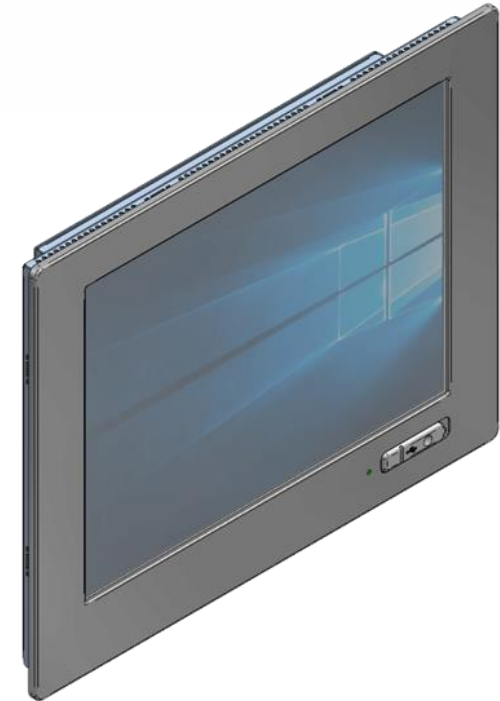
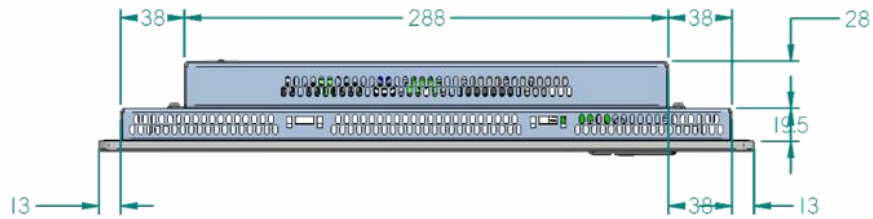
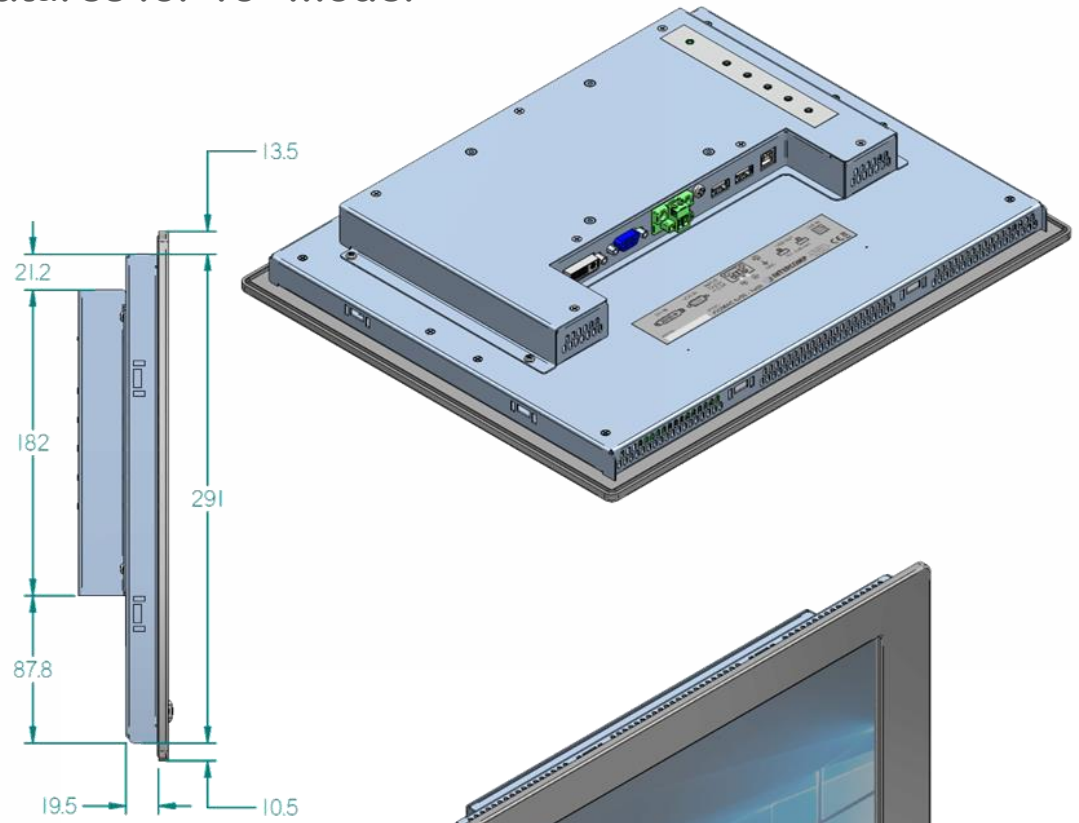
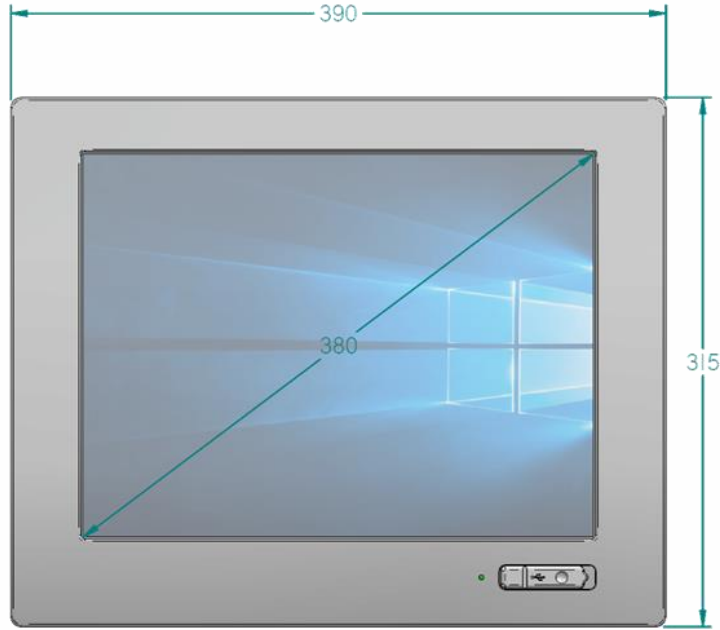
19"



All dimensions are expressed in millimeters (mm)



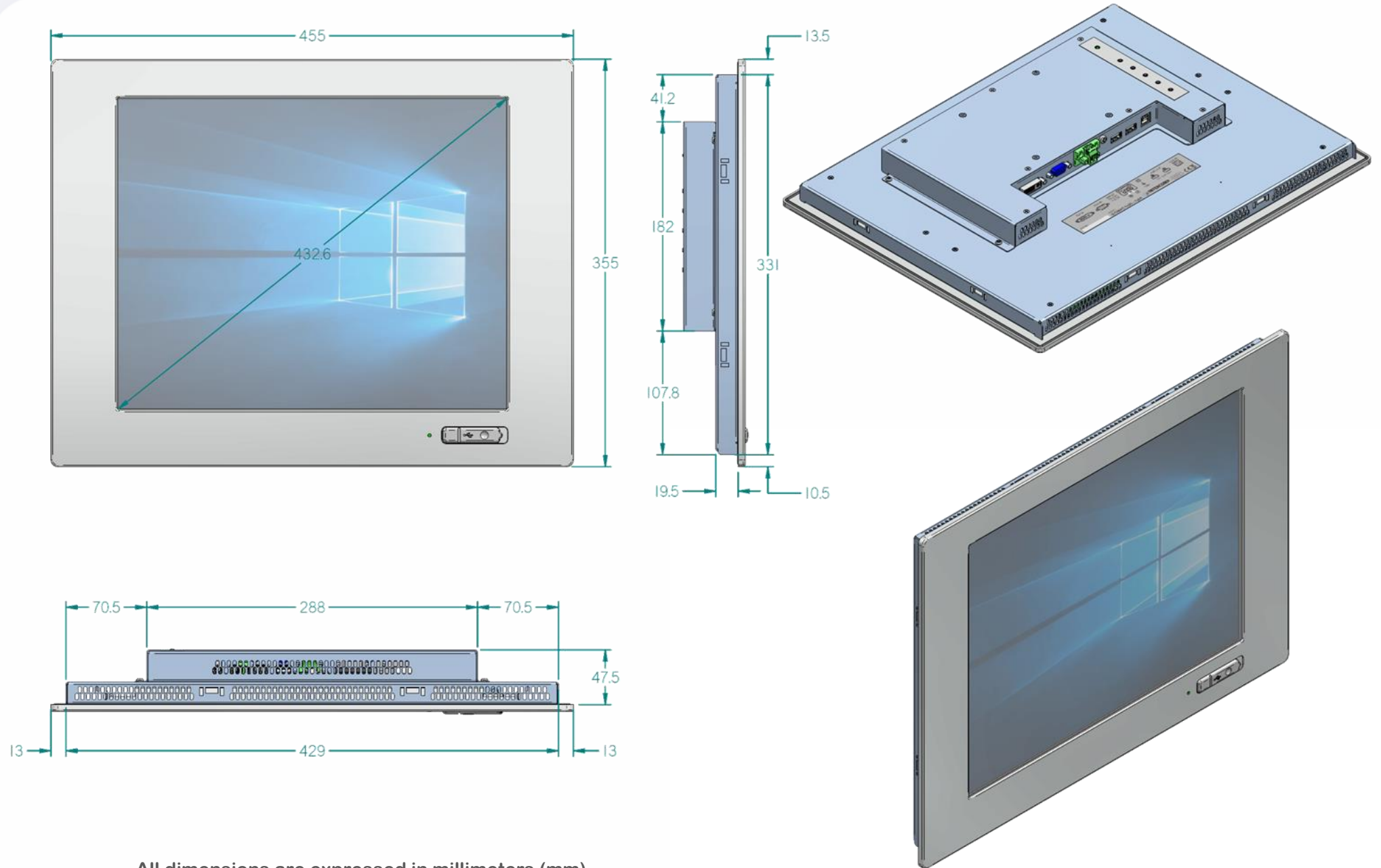
Mechanical Features for 15" model



All dimensions are expressed in millimeters (mm)



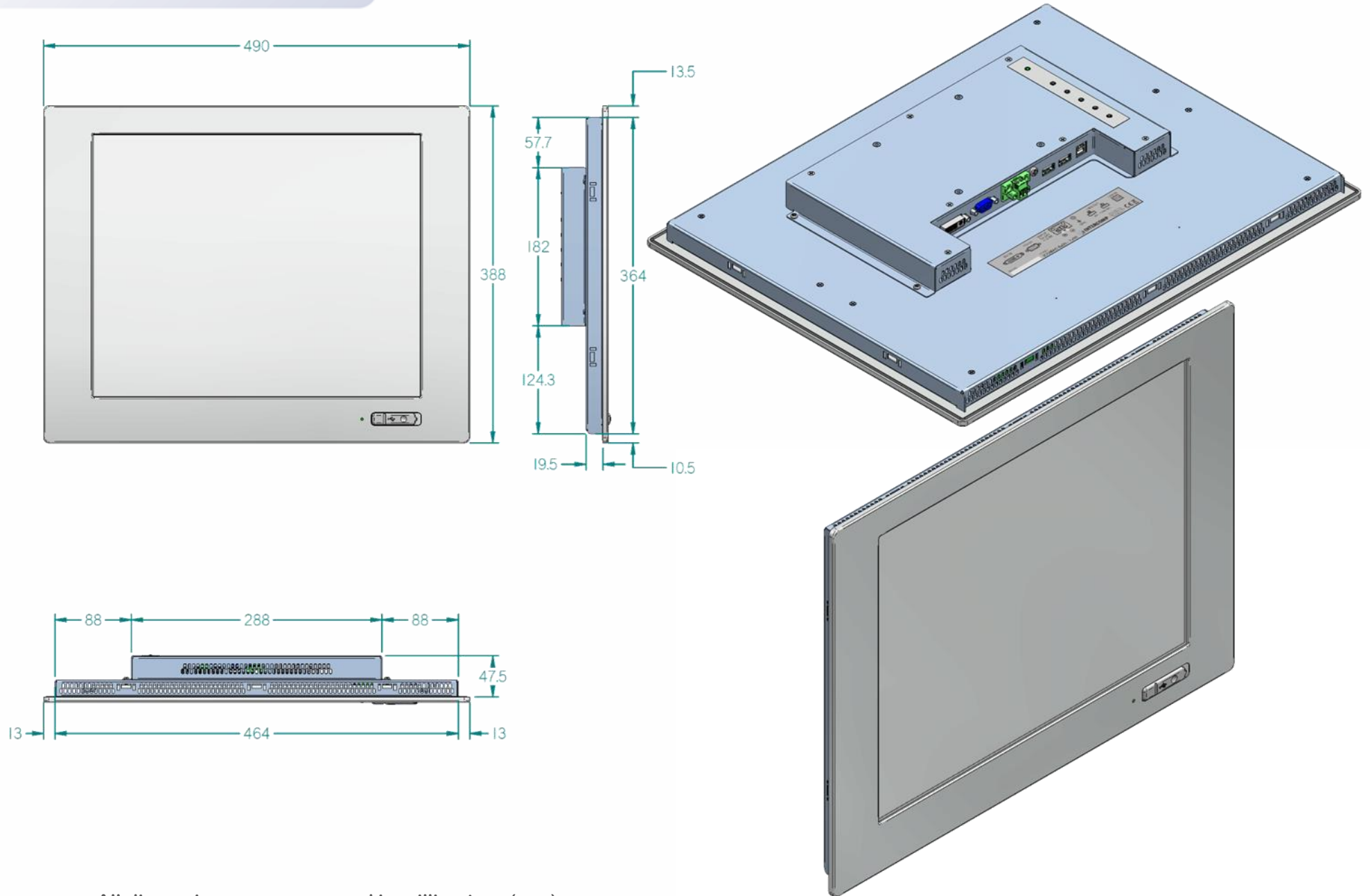
Mechanical Features for 17" model



All dimensions are expressed in millimeters (mm)



Mechanical Features for 19" model



All dimensions are expressed in millimeters (mm)