

HMI Compact

Compact Panel Pc




- ✓ Chassis designed for industrial environments
- ✓ Combined performance computing and low power requirement
- ✓ Sizes available 7", 10.1", 12.1"
- ✓ Panel or VESA mount
- ✓ Resistive touchscreen
- ✓ RS232/422/485
- ✓ Slim design
- ✓ Fanless cooling system
- ✓ No acoustic impact, 0dBA emissions



Technical computing unit features

System	Processor	Ti-AM3354, ARM Cortex A8 1 Core,1.0GHz
	Internal expansion slots	1 x mini-PCIe slot (full size)
	Note	The processor is integrated and not replaceable after the order
Memory	Installed	512MB DDR3 SDRAM (onboard)
Back I/O interfaces	Serial	1 x RS232/422/485 (DB9, default RS-232)
	USB	2 x USB 2.0 type A
	LAN	1 x RJ-45
	Video	N/A
	Audio	1 x Jack 3.5mm (Line-out)
	DC-IN	1 x Phoenix terminal 3P (5.08, Block with lock)
	Power switch	N/A
	Remote switch	1 x Phoenix terminal 2P
Storage	Internal storage	512MB NAND Flash (onboard)
	External storage	1 x micro-SD
Graphics subsystem	Integrated LCD display	See next page
Touchscreen	Type	Resistive
	Touch point	Single touch
	Interface	USB (ADC, Analog-to-Digital Converter)
	Gloves capable	Yes (only with capacitive suitable gloves)
Network subsystem	Light Transmission	80%
	Integrated LAN adapter	1 x RJ-45 (10/100MB LAN)
Power supply	Input voltage	Standard: 24V DC Supported range: From 9V DC to 36V DC
	Power consumption	7" : 7.5W
		10.1" : 7.8W
		12.1" : 9.2W
External Power Adapter	AC INPUT: 100~240V DC OUTPUT: DC 12V 5A	
Software Compatibility	Installed O.S.	Windows Embedded Compact 7 Runtime
Mechanical Features	Fixing method	Panel mount / VESA (see next pages)
	Dimensions	See next pages
	Weight	7" : 0.9 kg
		10.1" : 1.3 kg
		12.1" : 2.0 kg
Chassis main material	Plastic front bezel and Chassis	

Environment	Operating temp.	From 0°C to +50°C
	Non-operating temp.	From -30°C to +70°C
	Relative humidity	10% ~ 95% RH (non-condensing)
Product Certifications	Suitable for	Indoor use only
	IP Grade	Front: See next page Back: IP20
	Acoustic emissions	0dB
Company Certifications	Reference marks	CE, RoHS
	Directives, rules & regulations	Built according to European Directive 2014/30/EU (EMCD), 2011/65/EU & 2015/863/EU (RoHS III)
	Reference Standards	UNI EN ISO 9001:2015

Doc. ref. ZST-4292-00000215-00

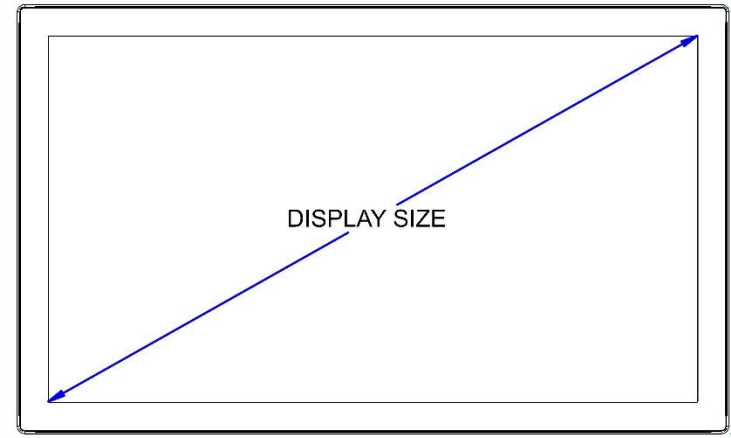


Intercomp S.p.A.
Via della Scienza 27, 37139, Verona, Italia
Tel +39 045-8378411 Fax +39 045-8510539
www.intercomp.it intercomp@intercomp.it

The product may differ from the images shown. All registered names and trademarks are legitimate owners. All features and specifications can be changed without prior notice.
Last update 05/07/2023

Display features

7"	Panel type	TFT LCD
	Size	7"
	Pixel HxV	800 x 480
	Color	262K
	Contrast ratio	400:1
	Brightness	350 cd/m2
	Viewing angle	Horizontal 140° - Vertical 120°
10.1"	Panel type	TFT LCD
	Size	10.1"
	Pixel HxV	1024 x 600
	Color	262K / 16.7M
	Contrast ratio	500:1
	Brightness	250 cd/m2
	Viewing angle	Horizontal 140° - Vertical 120°
12.1"	Panel type	TFT LCD
	Size	12.1"
	Pixel HxV	800 x 600 / 1024 x 768
	Color	262K / 16.2M (SVGA)
	Contrast ratio	1500:1 / 1000:1
	Brightness	450 / 500 cd/m2
	Viewing angle	Horizontal 178° - Vertical 178°
	Lifetime	50.000 / 30.000hrs

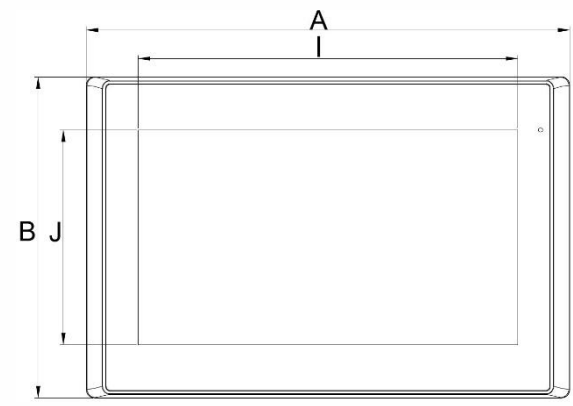


Ordering code & optional kit

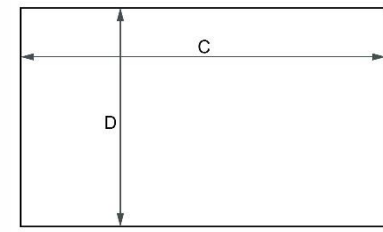
Ordering code	CN021-BA07-SN-001	CN021-BA10-SN-001	CN021-BA12-SN-001
Size	7"	10.1"	12.1"
System	Ti-AM3354, ARM Cortex A8		
Mounting	Panel mount & VESA 75x75	Panel mount & VESA 100x100	
Front panel type	Plastic front bezel and Chassis		
IP Grade	Front : IP65		Front: IP66
Power Supply	Standard 24V DC (supported range: 9V~36V DC)		
Optional (1x RS-232/422/485)	KDS02-11C-01-001-00		

Mechanical Features

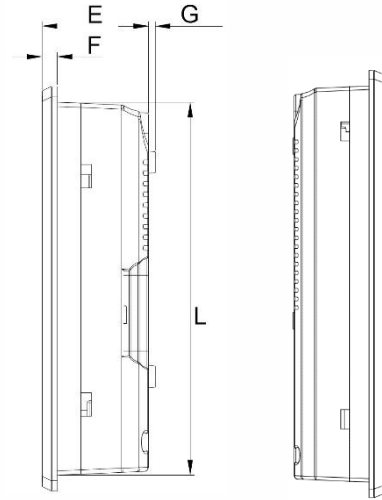
Front view



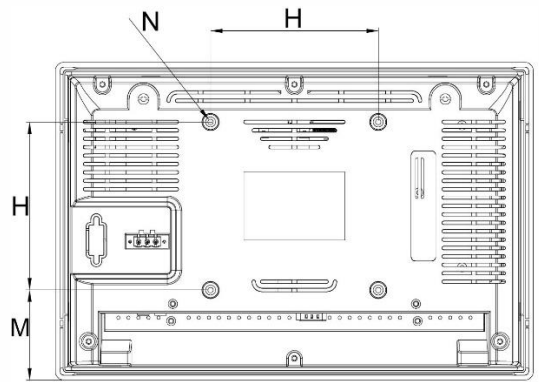
CUT-OUT



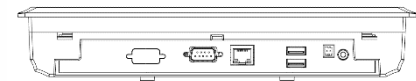
Side view



Rear view



Bottom view



LCD	A	B	C	D	E	F	G	H	I	J	K	L	M	N
7"	204	150	192	138	42,5	6	NA	75	153,7	92,7	190	136	43	M4
10.1"	285	189	272	176	49,6	7	3,2	100	223,9	126,5	270	174	53,5	M4
12.1"	319	245	303	229	51	8,4	NA	100	248	186,4	301	227	101,5	M4

All dimensions are expressed in millimeters (mm)



Intercomp S.p.A.
Via della Scienza 27, 37139, Verona, Italia
Tel +39 045-8378411 Fax +39 045-8510539
www.intercomp.it intercomp@intercomp.it

The product may differ from the images shown. All registered names and trademarks are legitimate owners. All features and specifications can be changed without prior notice.
Last update 05/07/2023