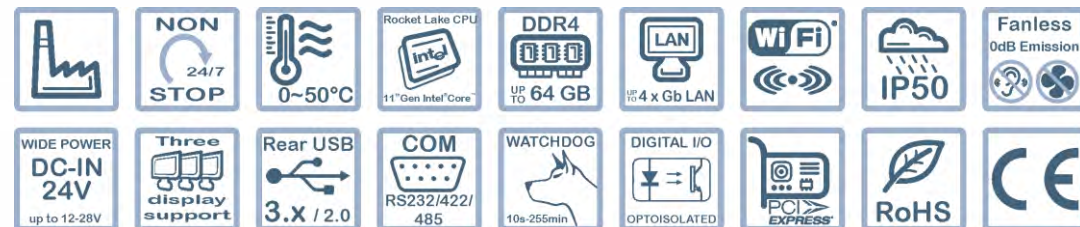


Pc Box 7470

Pc Box 



- ✓ Chassis designed for industrial environments
- ✓ Compact and easy to integrate
- ✓ Fixing options for all industrial needs
- ✓ Up to 64GB DDR4 RAM
- ✓ Fanless cooling system
- ✓ High availability of I/O: RS232/422/485, Gb LAN, USB 2.0 / 3.0
- ✓ Up to 4 x Gb Lan
- ✓ 24V DC power supply with wide range
- ✓ Intel® HD graphics with up to 3 simultaneous displays
- ✓ High performance computing thanks to Intel® Core™ processors





System	Supported Processor	Intel® 11 th & 10 th Gen Core™ i9 / i7 / i5 / i3 / Pentium Socket LGA 1200 - TDP Max 35W	
	Chipset	Intel® H470 Express Chipset	
	Bios	AMI 256Mbit Ami flash ROM	
	Expansion slots	1 x PCIe x4 1 x M.2 E Key 2230 (PCIe x1 / USB2.0) support CNVi 1 x M.2 B Key 3042/3052 (PCIe x1 / USB3.0) w/SIM card slot	
Memory	Type	DDR4 SO-DIMM 3200/2933/2666/2400MHz 260pin	
	Max expansion Slots	Up to 64 GB 2 (Dual channel)	
External I/O interfaces	USB	4 x USB3.2 Gen2 2 x USB2.0	
	Serial (optional)	2 x RS232/422/485 (standard RS232)	
	DIO (optional)	1 x 8-bit 4 Digital Input (NPN, 24V) 4 Digital Output (NPN, 24V, 50mA max)	
	LAN	1 x RJ45 GbE 1 x RJ45 2.5GbE 2 x RJ45 GbE (optional)	
	Video	1 x DP 2 x HDMI 1.4	
	Keyboard / Mouse	N/A	
	Audio	2 x Jack 3.5mm (Line-out, Mic-in)	
	Power switch	1 x Power switch (with status led)	
	Status led	1 x Power LED (with power switch)	
	Power	1 x Phoenix terminal 3P, 5.08, block with lock	
	Remote Power Switch	1 x Phoenix terminal 2P, 3.81, block with lock	
	Ground	1 x Ground connector	
	WIFI	2 x Mechanical predisposition for antenna	
	Storage	Integrated controller (Configuration w/o raid)	1 x SATA 3.0 6.0 Gb/s 1 x M.2 M Key 2280 (PCIe x4 / SATA) support NVMe
		Configuration w/ raid	2 x SATA 3.0 6.0 Gb/s (adapter installed on M.2 M Key) (only upon request)
	Graphics subsystem	Integrated Video interfaces	Intel® HD Graphics (depends on the installed cpu)
		Max resolution	DP: resolution up to 4096x2304 @60Hz HDMI 1.4 : resolution up to 4096x2160 @30Hz
Contemporary active displays		Max 3 contemporary active displays (the operating system used must support this function)	
Audio subsystem	Integrated audio	High-Definition Audio	

Network subsystem	Integrated network controller	1 x RJ45 Intel® I219V (10/100/1000Mbps) 1 x RJ45 Intel® I225LM (2500Mbps)	
	Additional network controller (optional)	1 x RJ45 Intel® WGI211AT (10/100/1000Mbps) (M.2-2LAN) 1 x RJ45 Intel® WGI211AT (10/100/1000Mbps) (M.2-2LAN)	
	WIFI (optional)	Intel® Wifi AC9260 (802.11ac) 2.4/5GHz, Bluetooth 5.1, M.2 2230	
Management	Watchdog Timer	System Reset Programmable via Software from 10s to 255 min	
Power supply	Input voltage	Standard: 24V DC Supported range : from 12V DC to 28V DC	
	Power consumption	Average 140W @ 75% stress	
Software Compatibility	Supported operating system	Windows 10 IoT 64-bit Windows 11	
Mechanical Features	W x D x H	See next page	
	Weight	5,1 kg for medium configuration	
	Internal bay	1 x *M.2 (or *1 x SATA 2.5" w/ adapter, only upon request) 1 x SATA 2.5 (only upon request)	
	External bay	1 x SATA 2.5" removal (default)	
	Note	Communicate to the sales representative where to install the storage	
	Chassis colour	Black, RAL9005	
	Fixing method	Desktop / Wall / Din rail (see optional kit)	
	Environment	Operating temp.	From +0°C to +50°C
		Non operating temp.	From +10°C to +60°C
		RH	10~90% RH, non cond.
Suitable for		Indoor use only	
IP Grade		IP50	
Product Certifications	Cooling System	Fanless	
	Reference Marks	CE, RoHS	
Company Certifications	Directives, rules & regulations	Built according to European Directive 2014/53/EU (RED) and 2011/65/EU & 2015/863/EU (RoHS III)	
	Reference standards	UNI EN ISO 9001	
Ordering Code	CN012-AE01-SN-001	PC BOX 7470, FANLESS, H470, 10th-11th CPU, DDR4S, 12-28V DCin, RAL9005	
	Optional KIT		
	KDS01-05C-02-001	KIT Wifi 2.4/5GHz with BT 5.1	
	KDS01-05E-AB-001	2xGb LAN MODULE	
	KDS01-05E-AA-002	KIT Digital I/O, 4IN, 4OUT	
	KDS01-05E-AC-001	KIT wall fixing	
	KDS01-05E-AD-001	KIT din rail fixing	
	KDS01-05C-01-001	KIT 2x RS232 DB9	
	KDS02-13C-01-001	KIT external power supply 24V DC 230W	

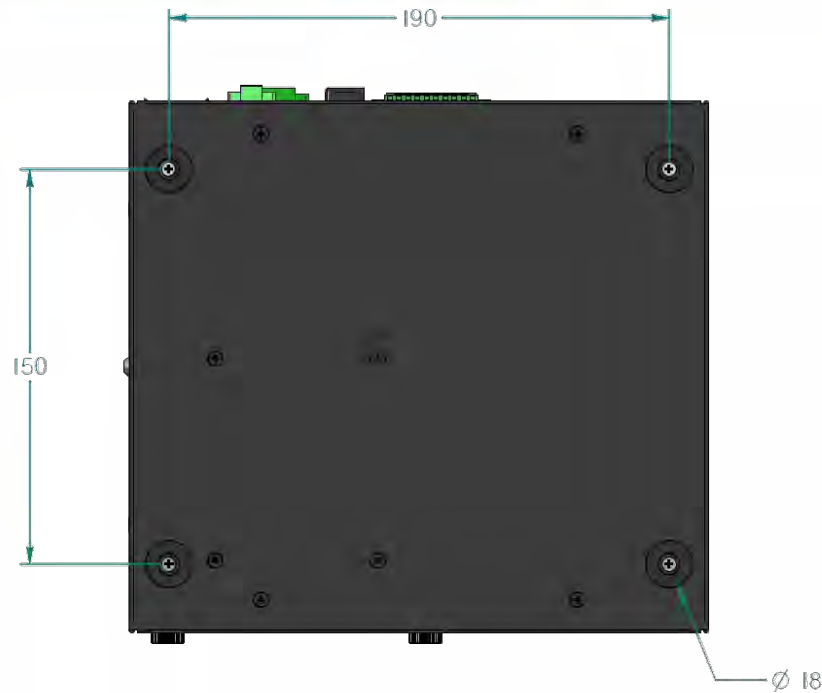
Ref. Doc. ZST-4292-00000226-01

Pc Box 7470

Pc Box



Mechanical Features (with kit desktop)



Scan me

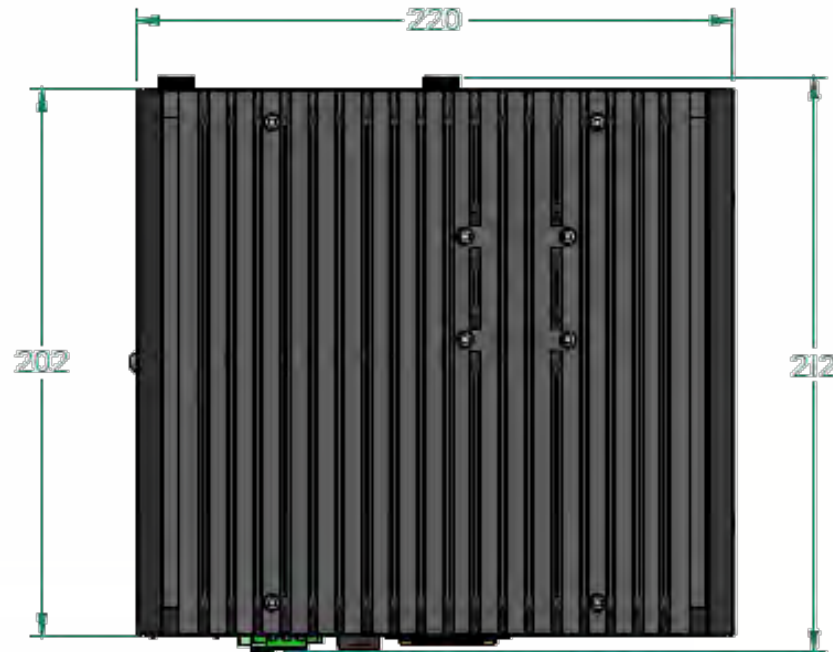


Intercomp S.p.A.
Via della Scienza 27, 37139, Verona, Italia
Tel +39 045-8378411
www.intercomp.it intercomp@intercomp.it

The product may differ from the images shown. All registered names and trademarks are legitimate owners. All features and specifications can be changed without prior notice.
Last update: 11/09/2023



Mechanical Features (with kit desktop)



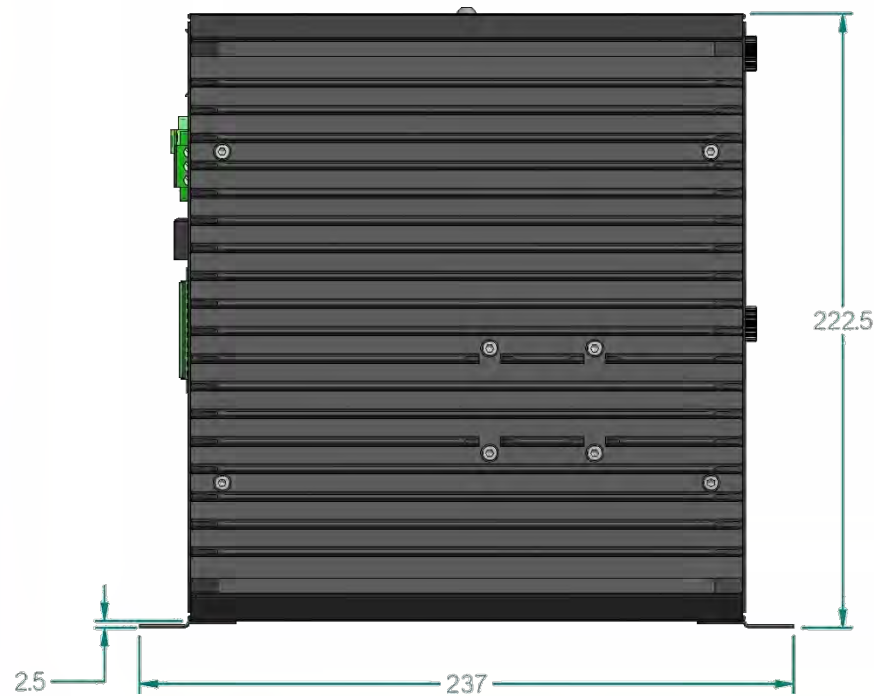
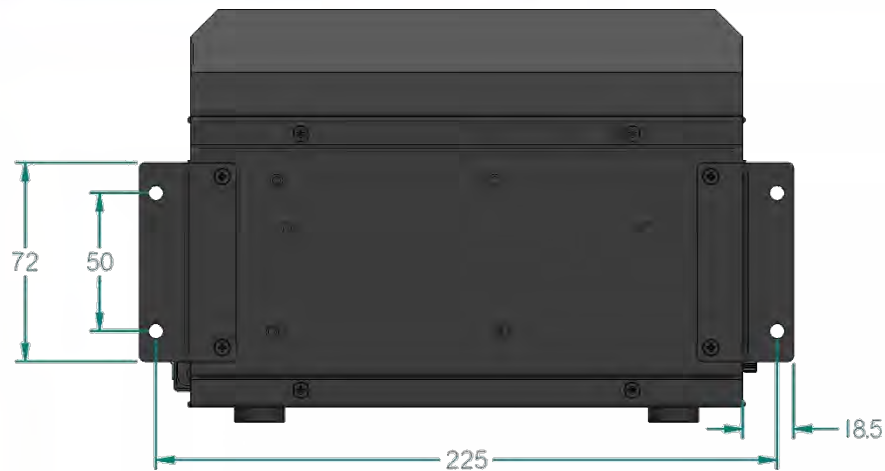
All dimensions are expressed in millimeters (mm)

Pc Box 7470

Pc Box



Mechanical Features (with optional kit wall fixing)



All dimensions are expressed in millimeters (mm)



Scan me

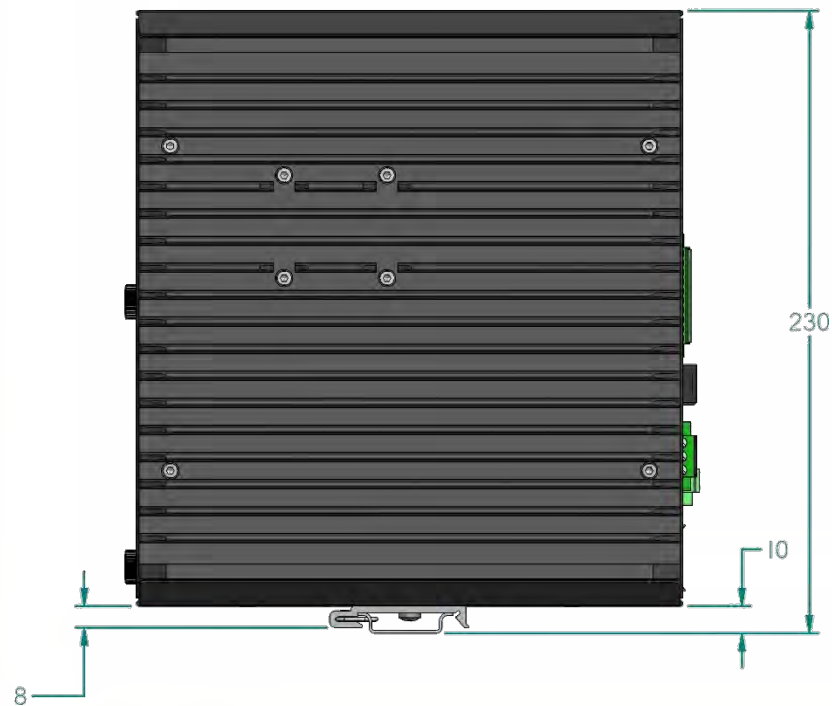
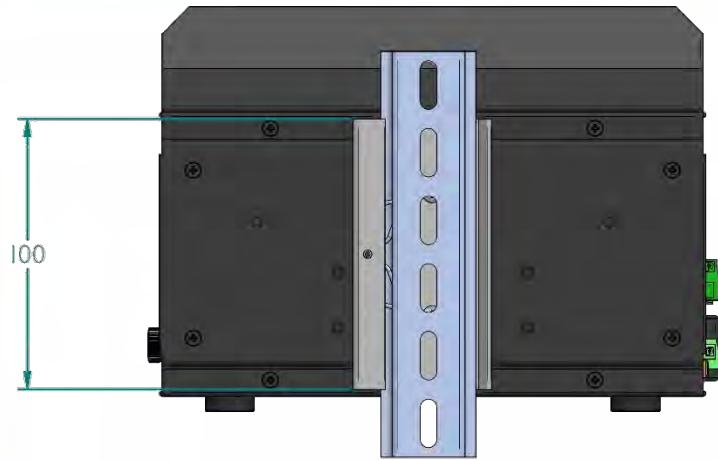


Intercomp S.p.A.
Via della Scienza 27, 37139, Verona, Italia
Tel +39 045-8378411
www.intercomp.it intercomp@intercomp.it

The product may differ from the images shown. All registered names and trademarks are legitimate owners. All features and specifications can be changed without prior notice.
Last update: 11/09/2023



Mechanical Features (with optional kit din rail fixing)



All dimensions are expressed in millimeters (mm)



Scan me



Intercomp S.p.A.
Via della Scienza 27, 37139, Verona, Italia
Tel +39 045-8378411
www.intercomp.it intercomp@intercomp.it

The product may differ from the images shown. All registered names and trademarks are legitimate owners. All features and specifications can be changed without prior notice.
Last update: 11/09/2023