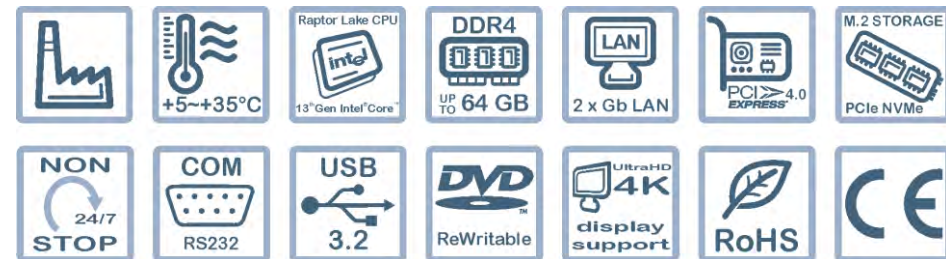


Pc Box 280 H610

Pc Box for industrial environment

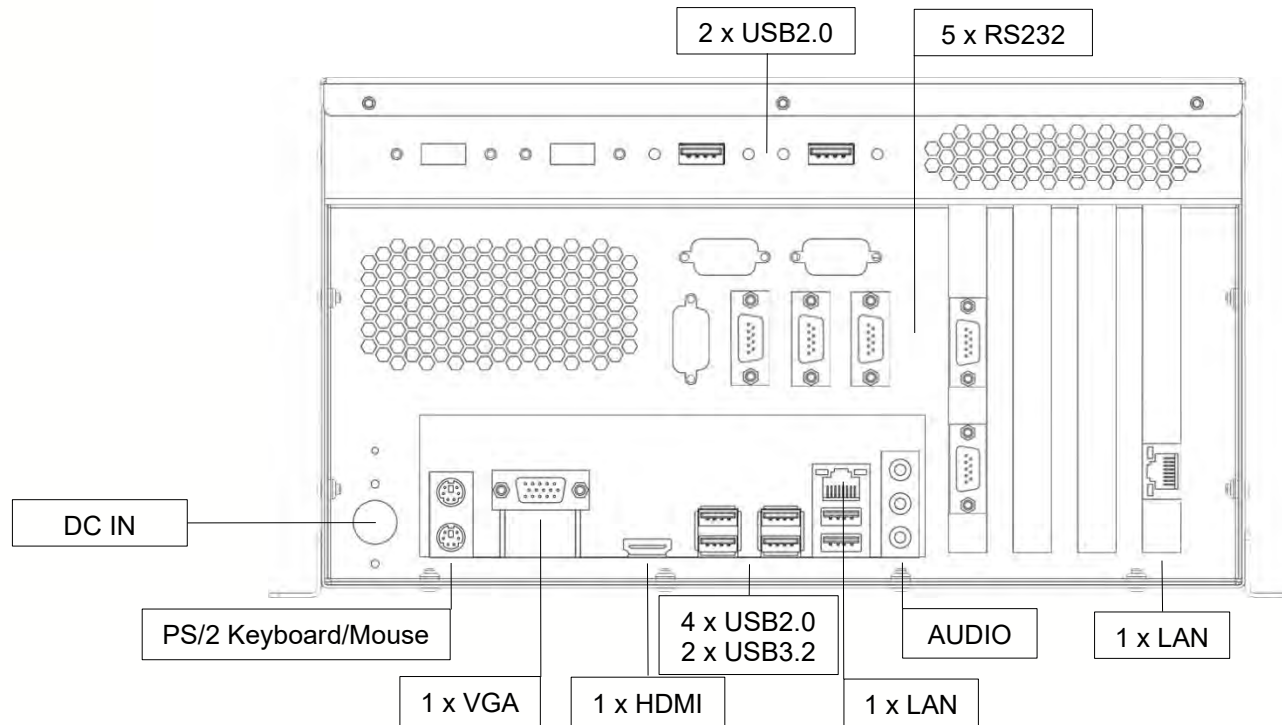
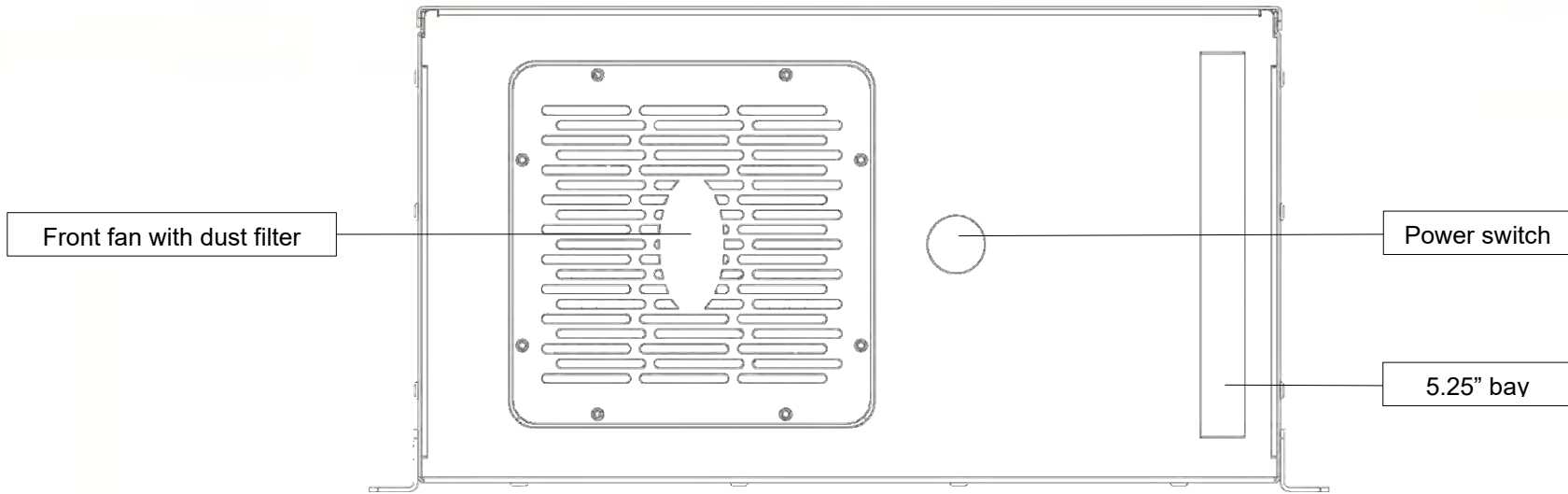


- ✓ Chassis designed for industrial environments
- ✓ Up to 13th & 12th generation Intel® Core™ processor
- ✓ Up to 64 GB
- ✓ Intel® HD graphics with up to 2 simultaneous displays
- ✓ NVMe M.2 PCIe x4x2
- ✓ High availability of I/O ports
- ✓ Wall mount
- ✓ External AC/DC adapter
- ✓ Equipped with removable dust filter





I/O Interface Features



Pc Box 280 H610

Pc Box for industrial environment



Technical Features

System	Supported Processor	Socket LGA 1700 Intel® Core™ 13 th & 12 th gen.	
	Chipset	Intel® H610 Express Chipset	
	BIOS	1 x 128 Mbit AMI UEFI BIOS PnP 1.0a, DMI 2.7, WfM 2.0, SM BIOS 2.7, ACPI 5.0	
	Expansion slots	1 x PCI Express 4.0 x16* 1 x PCI Express 3.0 x1*	
	Note	*used for expansion card : Gb LAN & RS232 Check the installed basic model and the available options on the web configurator	
Memory	Max exp.	64GB	
	Type	DDR4 3200/2933/2666/2400/2133 UDIMM 288pin 4GB, 8GB, 16GB, 32GB	
	Slots	2 (Dual channel)	
	Note	Check the installed basic model and the available options on the web configurator	
Front I/O Interfaces	POWER switch	1 x Power switch	
	Status Led	1 x Power led (integrated on power switch)	
Back I/O Interfaces	Serial	5 x RS232	
	LPT	N/A	
	USB		6 x USB 2.0 2 x USB 3.2 gen.1 2 x USB 3.2 gen.1 (optional) 2 x USB 2.0 (optional)
		Keyboard / Mouse	2 x PS/2
		Audio	3 x Jack 3.5mm (Line In, Line Out, Mic In)
		LAN	2 x RJ45 (GbE)
	Video	1 x VGA DB15 1 x HDMI	
	Storage	Integrated controller	4 x SATA 6Gb/s 1 x M.2 (Socket 3, M key, 2280/2260 PCIe 4x/2x SSD)
		HDD / SSD bay	2 x 2.5" unit 1 x M.2 unit
		Note	Check the installed basic model and the available options on the web configurator
		Graphics Subsystem	Integrated video interfaces
	Max resolution		VGA DB15: 1920x1200@60Hz HDMI 2.1: 4096x2160@30Hz (HDCP 2.3 support)
Contemporary active displays	Max 2 contemporary active displays (the operating system used must support this function)		
Audio Subsystem	Integrated audio		High Definition Audio
	Channel	2 / 4 / 5.1 / 7.1 The HDMI 2.1 port carries the audio signal	
Network Subsystem	Integrated network controller	2 x 10/100/1000 Realtek® GbE LAN	

Power supply	Input voltage	Standard: 19V DC Supported range : From 16V DC to 24V DC
	External AC/DC Adapter	AC Input:100-240V, 2A, 50-60Hz DC Output:19V 7.89A
Mechanical Features	W x H x D	See next page
	Weight	6 Kg for medium configuration
	Internal bay	2 x 2.5" unit
	External bay	1 x Slim 5.25" unit
	Color	Dark gray metallic wrinkled (66024 IN)
Software Compatibility	Fixing method	Desktop stand / Wall
	Supported operating system	Microsoft Windows 10 / 11 / IoT 64bit
Environment	Operating temp.	From +5°C to +35°C
	Non op. temp.	From -20°C to +70°C
	RH	95% @ 30°C non cond.
	Suitable for	Indoor use only
Product Certifications	IP Grade	IP20
	Cooling system	1 x 92x92x25mm front fan with dust filter 1 x CPU
	Reference marks	CE, RoHS
	Directives, rules & regulations	Built according to European Directive 2014/30/EU (EMCD), 2011/65/EU & 2015/863/EU (RoHS III)
Company Certifications	Reference standards	UNI EN ISO 9001
	Ordering code	CN012-AG01-xN-001 PC BOX 280 H610, DDR4, Gb Lan+SATA3, USB 2.0/3.0, 5COM, 2nd Gb LAN
Optional KIT	TBD	Kit 2xUSB 3.2 gen.1
	TBD	Kit 2xUSB 2.0
	Doc Ref.	ZST-4292-00000149-03



Scan me



Intercomp S.p.A.
Via della Scienza 27, 37139, Verona, Italia
Tel +39 045-8378411
www.intercomp.it intercomp@intercomp.it

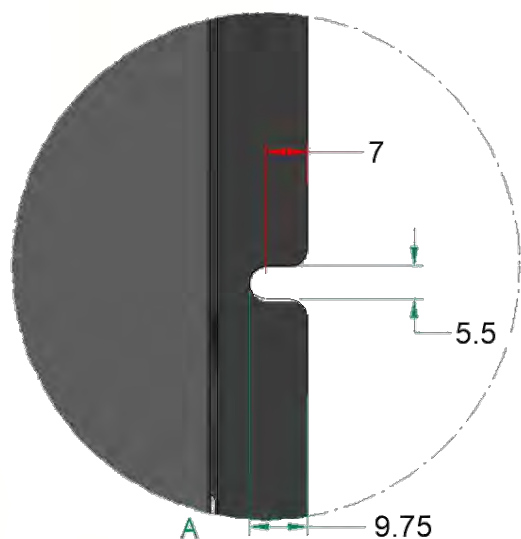
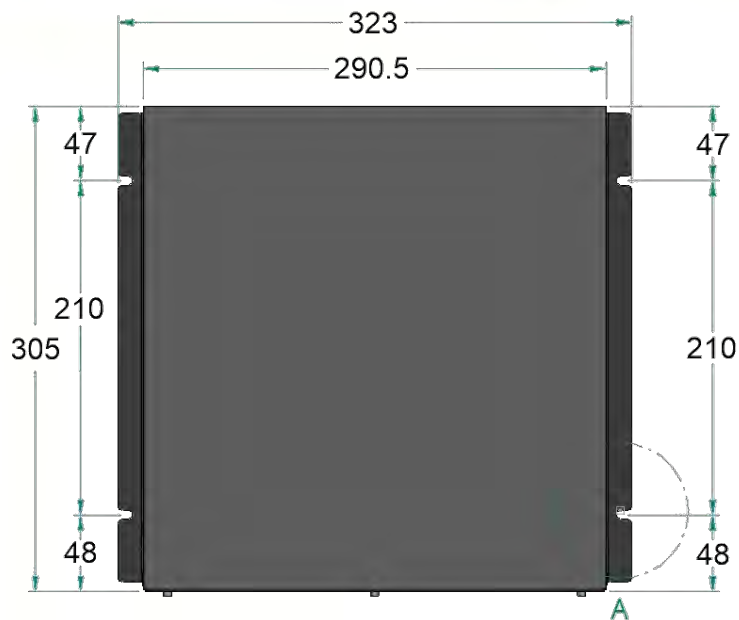
The product may differ from the images shown. All registered names and trademarks are legitimate owners. All features and specifications can be changed without prior notice.
Last update 15/11/2023

Pc Box 280 H610

Pc Box for industrial environment



Mechanical Features



All dimensions are expressed in millimeters



Scan me

40 YEARS
INTERCOMP
ITALIAN TECHNOLOGY FACTORY

Intercomp S.p.A.
Via della Scienza 27, 37139, Verona, Italia
Tel +39 045-8378411
www.intercomp.it intercomp@intercomp.it

The product may differ from the images shown. All registered names and trademarks are legitimate owners. All features and specifications can be changed without prior notice.
Last update 15/11/2023