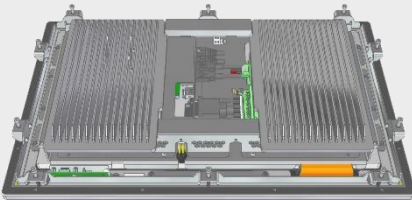
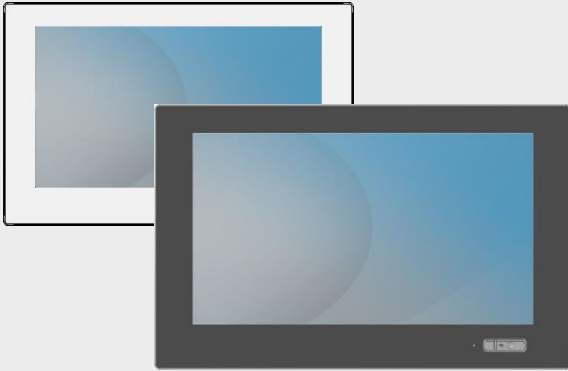
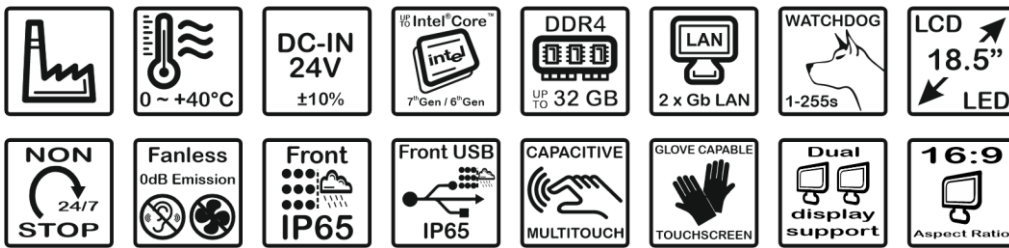


iCOMAC8200 H110

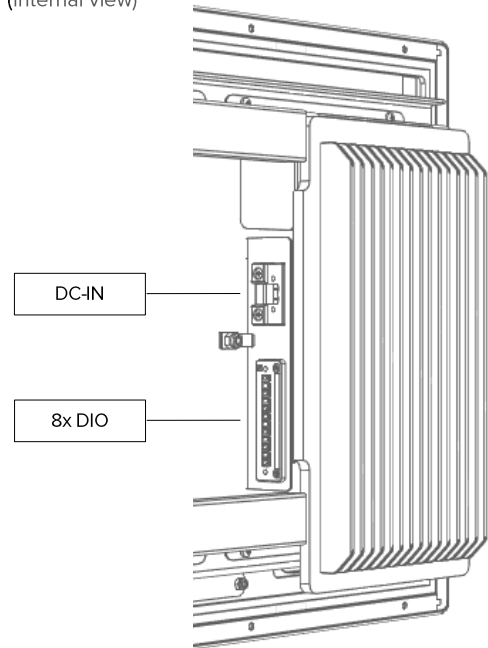
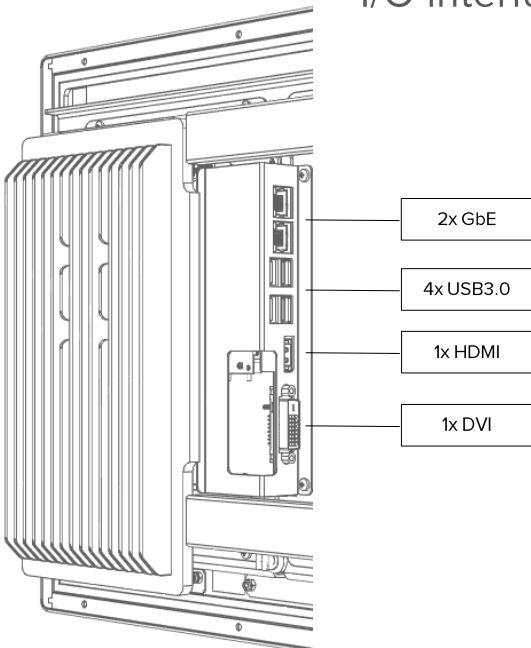


Main features

- Chassis designed for industrial environments
- Capacitive touchscreen (up to 10 points)
- Front panel with IP65 protection rating and protected USB port
- High performance computing thanks to 7th gen. Intel® Core™ processors
- 18.5" LCD widescreen with LED backlight
- 24V DC power supply
- Suitable for multiple display solution (up to 2)
- Panel mount
- Fanless cooling system
- No acoustic impact, 0dBA emissions



I/O interface Features (internal view)



Technical Features

System	Supported Processor	Intel® Core™ 7 th & 6 th Generation TDP MAX 35W - LGA1151 Socket	
	Chipset	Intel® H110 (Intel® GL82H110 PCH)	
	Bios	Insyde SPI 128Mbit	
	Expansion slots	1 x Full-size mSATA (USB/SATA)	
	Note	Check the installed basic model and the available options on the web configurator	
Memory	Max expansion	32GB	
	Type	SO-DIMM DDR4 3200/2400/2133/1866 MHz refer to the maximum frequency supported by the installed CPU	
	Slots	2 (dual channel)	
	Note	Check the installed basic model and the available options on the web configurator	
Front I/O interfaces	USB	1 x USB 2.0 with IP65 protection cap.	
Back I/O interfaces	Status Led	1 x Power led	
Back I/O interfaces	Serial	N/A	
	USB	4 x USB 3.0	
	LAN	2 x RJ45	
	Video	1 x DVI-D 1 x HDMI	
	Audio	N/A	
	Digital I/O	10P Phoenix connector : 3 x Opto isolated inputs (24V DC) 5 x Opto isolated output (max 400mA @24V DC for pin) 1 x 24V PSU input for Digital I/O (24V DC & GND)	
	DC-IN	1 x Phoenix terminal 2P (5.08, Block with lock)	
	Power switch	N/A	
	Remote switch	N/A	
	Ground Connector	Double faston M	
	Note	Access to internal interfaces is carried out through an integrated hole in the chassis, so the number and type of usable interfaces is related to the size of the passing cables/connectors.	
	Storage	Controller	1 x SATA 3 6.0Gb/s 1 x mSATA Full-size
		Note	Check the installed basic model and the available options on the web configurator. Storage size and number depends on choose options
		Integrated graphics	Intel® HD Graphics (depends on installed CPU)
Graphics subsystem	Max resolution (External ports)	DVI-D : up to 1920x1200@60Hz HDMI : up to 2560x1600@60Hz 4096x2160@24Hz	
	Multi-display	Max to 2 contemporary active displays (1x Internal & 1x external) (*Not included)	
	Integrated LCD display	Panel type : a-Si TFT-LCD (LED Backlight) Size / Aspect Ratio : 18.5" / 16:9 Pixel HxV : 1366x768 Pixel Pitch : 0.3 (H) x 0.3 (V) mm Color : 16.7M Contrast ratio : 1000:1 Brightness : 300 cd/m ² Response time : 3.5ms Viewing angle : Horizontal 178° - Vertical 170° CR ≥ 5 Lifetime : 50.000hrs	
	Type	Capacitive	
Touchscreen	Touch point	Multi points touch, max. up to 10 points	
	Interface	USB	
	Gloves capable	Yes (only with capacitive suitable gloves)	
Audio subsystem	Codec	Realtek HD audio	
Network subsystem	Integrated LAN adapter	1 x Intel® i211AT 1.0GbE (10/100/1000) 1 x Intel® i219V 1.0GbE (10/100/1000)	
Management	Watchdog timer	System reset Software programmable from 1 to 255 seconds	
	Wake On Events	WOL (Wake on Lan) Wake by RTC (Wake by date/time) AC power failure recovery	
Power supply	Input voltage	Standard: 24V DC Supported range: From 15V DC to 36V DC	
	Power consumption	105W (estimated @75% workload)	
Software compatibility	Supported operating system	6 th Gen. Intel® Core™ : Windows 7/10 64bit 7 th Gen. Intel® Core™ : Windows 10 64bit	



Technical Features

Mechanical features	Fixing method	Panel mount
	Dimensions	See next pages
	Weight	12.0 kg (w/ kit COVER and HANDLES and VESA100)
	Front bezel	Standard: Aluminum Anodized Black or White (Different front bezel on request) See ordering code
	Silkscreen	On Request
	Chassis material	Galvanized metal / INOX AISI 304
	External bay	N/A
	Internal bay	1 x mSATA Full-Size 1 x 2.5" SATA HDD/SSD
Environment	Operating temp.	From +0°C to +40°C
	Non op. temp.	From -5°C to +60°C
	RH	From 20% to 90% RH (non-condensing)
	Suitable for	Indoor use only
	IP Grade	Front: IP65 Rear : IP20
	Cooling System	Fanless
	Acoustic emissions	0dB
Product approvals	Reference marks	CE, cURus FCC, ICES, RoHS, EAC
	Directives, rules & regulations	Built according to European Directive 2014/30/EU (EMCD), 2011/65/EU & 2015/863/EU (RoHS III)

For more information contact your sales representative

Ordering code & optional kit

Ordering code	
CNPCIND185-IC-03B00	PC ICOMAC8200 - BASE - 18.5" FHD, ALU, PCAP, INTEL H110, DDR4, 24VDCin, Black
TBD: CNPCIND185-IW	PC ICOMAC8200 - BASE - 18.5" FHD, ALU, PCAP, INTEL H110, DDR4, 24VDCin, White

For more information contact your sales representative

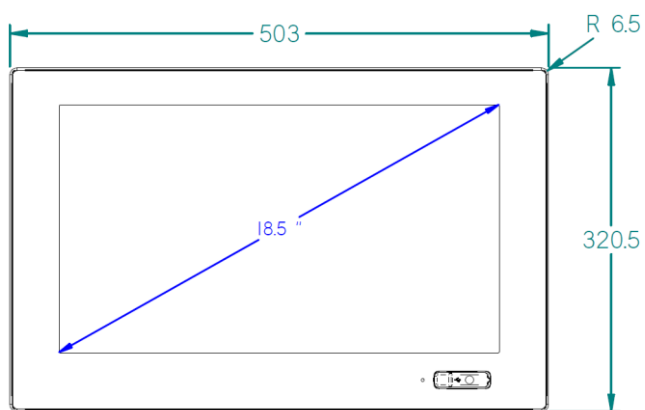
Optional kit	
EKIT-IC185-P00	Kit PANEL mount
TBD	Kit external power supply 24V DC
TBD	Firmware for touchscreen : single touch, mouse mode

For more information contact your sales representative

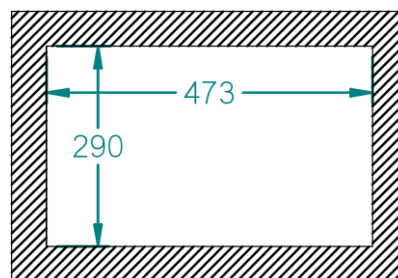


Mechanical Features : BASE & EKIT-IC185-P00 (kit PANEL mount)

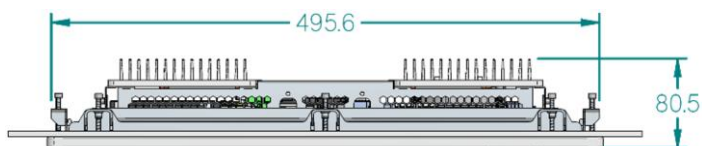
FRONT VIEW



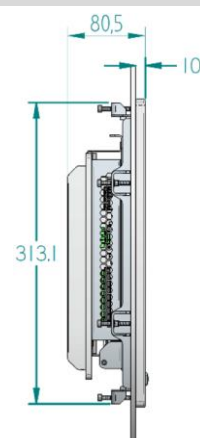
CUT-OUT



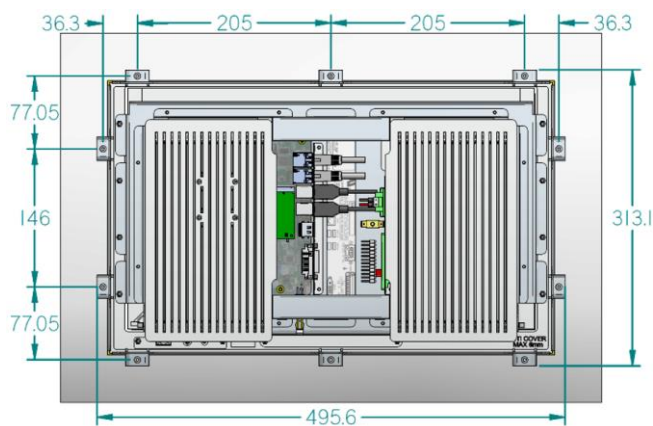
TOP VIEW



SIDE VIEW



REAR VIEW



Application example



Trademarks and registered trademarks : some names and logos in this catalog may be trademarks or registered trademarks. In some cases, they may not be explained according to copyright parameters. The absence of the trademark symbol (™) and the copyright symbol (©) does not imply that the product is not registered.

ZST-4292-00000044-02
All dimensions are expressed in millimeters (mm)

Last update 09/04/2024

